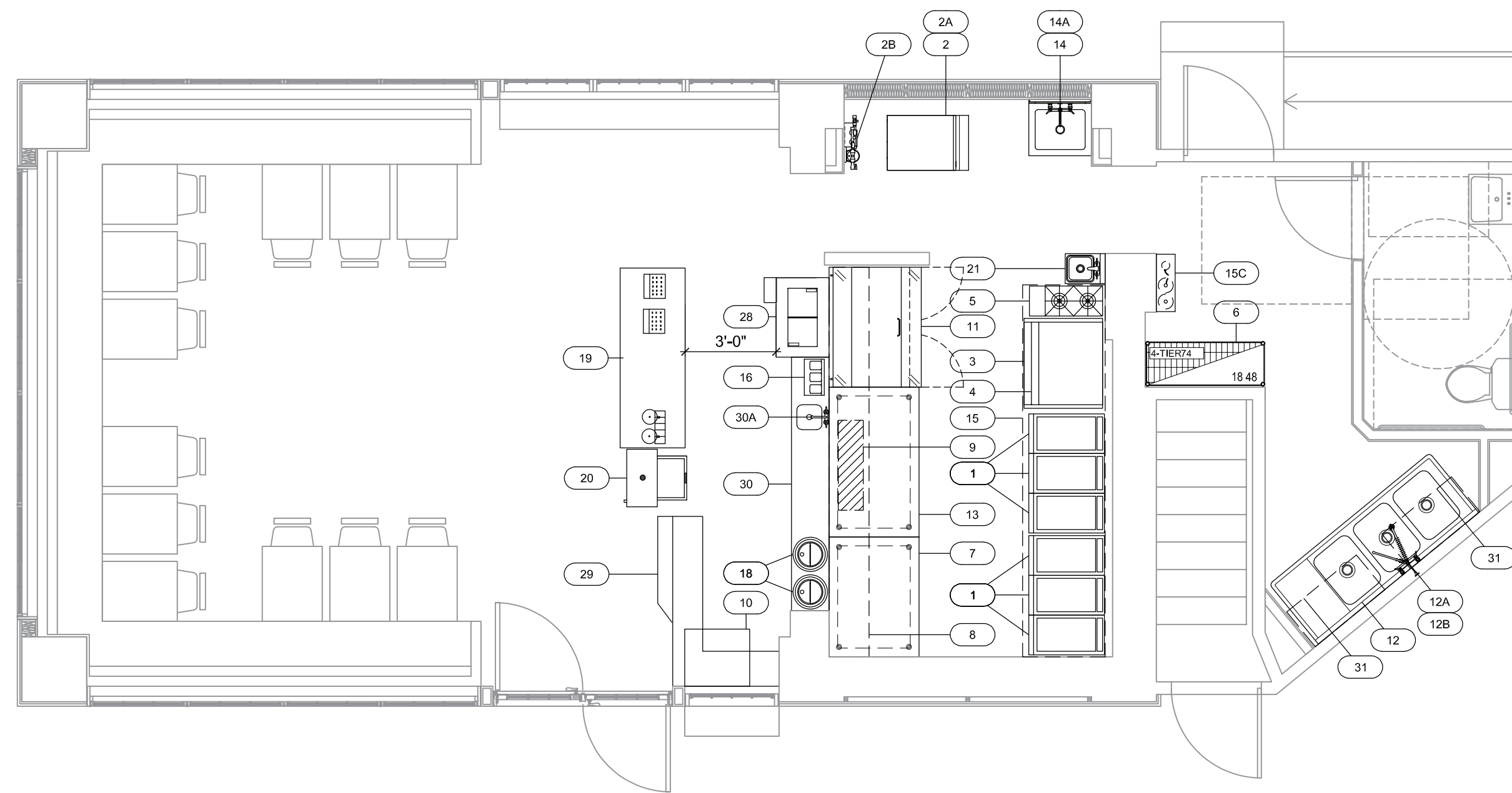


PRELIMINARY DRAWINGS ONLY
02-12-2018
NOT FOR CONSTRUCTION

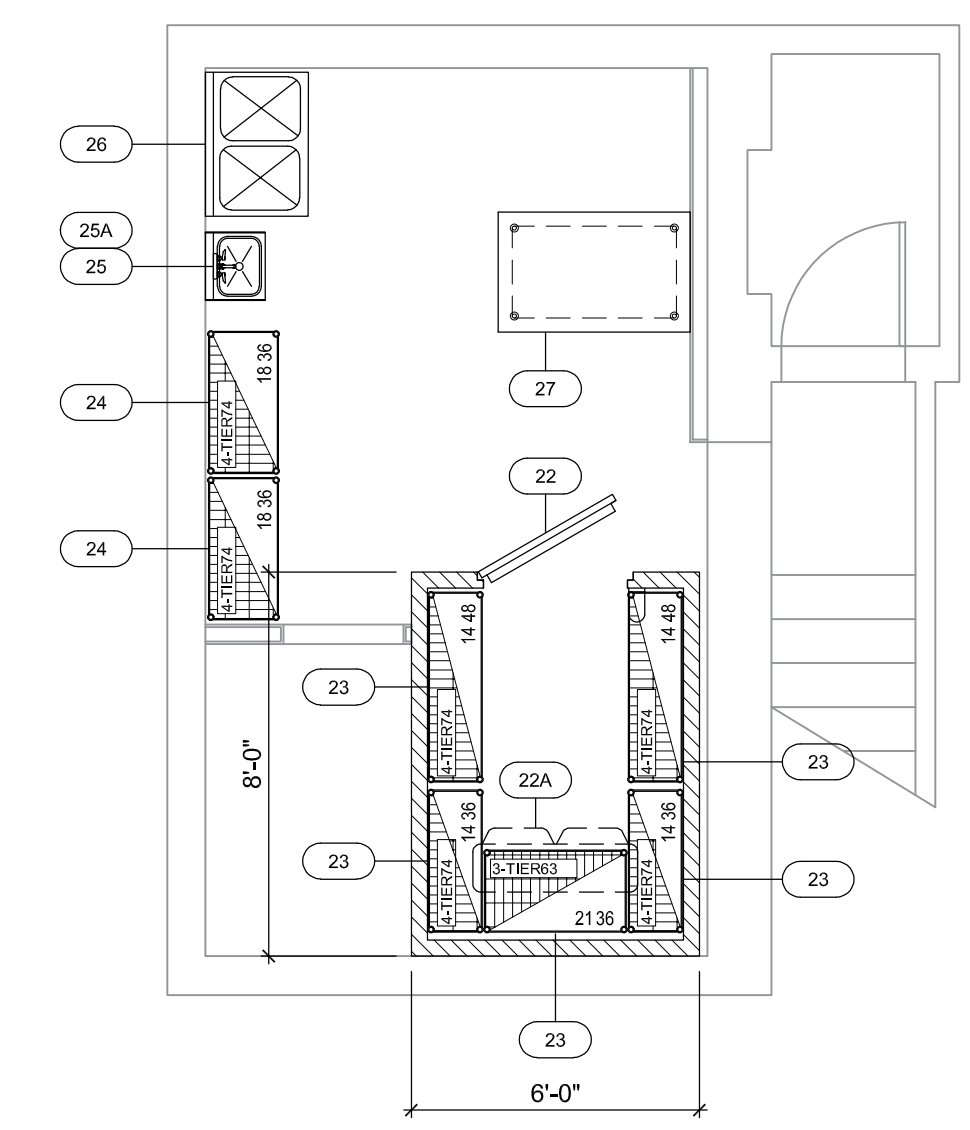
505 Collins Street
 P. O. Box 3505
 South Attleboro, MA 02703
 P 508-399-6000
 F 508-761-3620
 trimarkusa.com

This document contains confidential information, is an instrument of a professional service, and the property of TriMark. It shall not be used on other projects or for the extension of this project without TriMark's written approval.

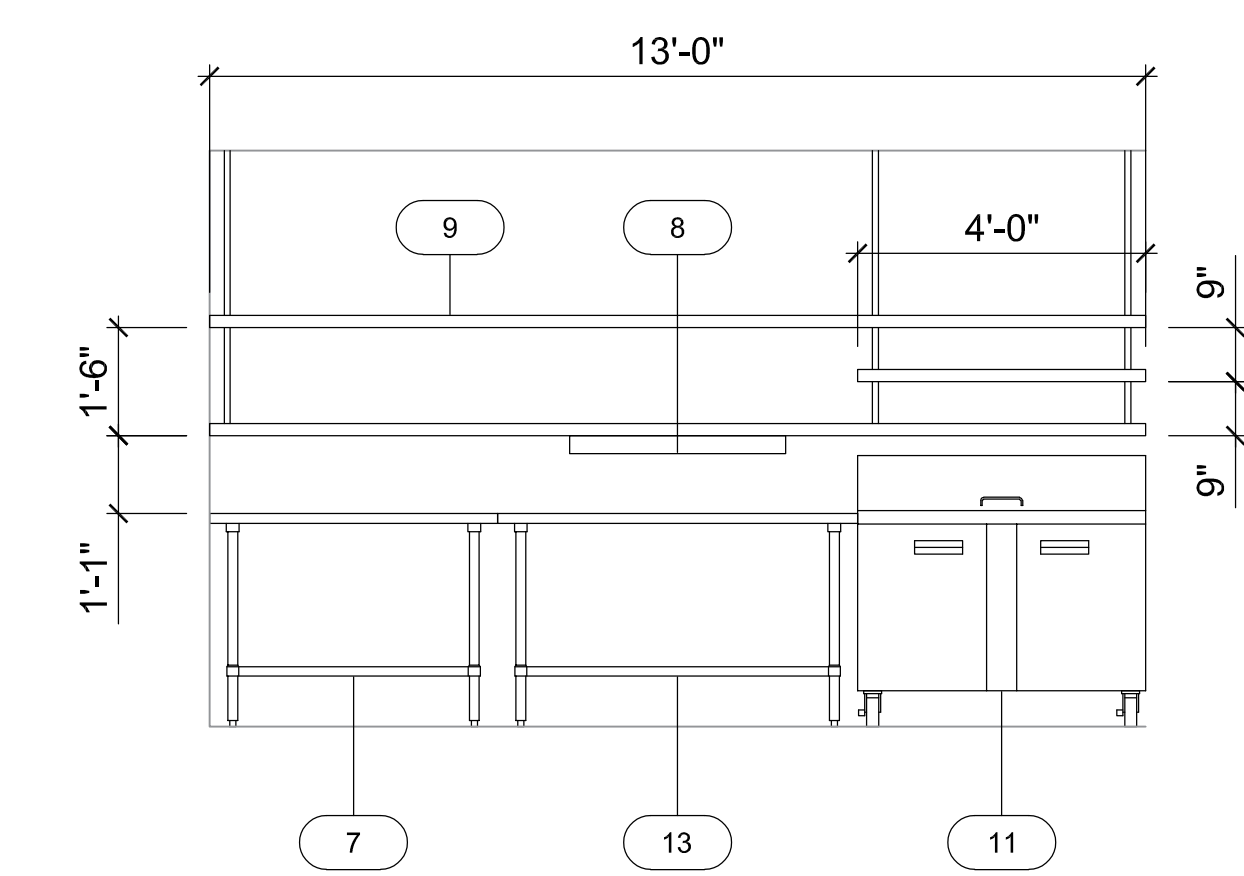
Owner and all Contractors to check and verify existing dimensions and conditions in the field before starting construction and to notify TriMark of any material or detail changes.



FIRST FLOOR
FOODSERVICE EQUIPMENT LAYOUT
 SCALE: 1/4" - 1' - 0"



BASEMENT FLOOR



SERVING STATION ELEVATION
EQUIPMENT ELEVATION LAYOUT
 SCALE: 3/8" - 1' - 0"

NOTE: THE UTILITY SCHEDULE BELOW IS "PRELIMINARY ONLY" AND IS SUBJECT TO CHANGES DURING THE ONGOING DESIGN DEVELOPMENT OF THE PROJECT. FINAL F.S. DRAWINGS WILL BE ISSUED ONCE TRIMARK HAS BEEN AWARDED THE EQUIPMENT CONTRACT.

Custom/Column#	ITEM NO.	QTY	ITEM DESCRIPTION	MFR	MODEL	ELECTRICAL										PLUMBING				REMARKS	ITEM NO.
						VOLTS	PH	AMPS	KW	HP	CONN.	NEMA	CW (IN)	HW (IN)	IW	DW	GAS SIZE	MBTU			
	1	6	FRYERS	NIC	BY OTHERS	X	X	X									X	X	ALL TRADES SHALL VERIFY DIMENSIONS AND UTILITY REQUIREMENTS PRIOR TO ROUGH-INS.	1	
	2	1	ICE CUBER	HOSHIZAKI	KM-S15MAH	115	1	11.7				DR	5-15P	1/2"				3/4"		2	
	2A	1	ICE BIN FOR ICE MACHINES	HOSHIZAKI	B-300FP															2A	
	2B	1	WATER FILTRATION SYSTEM	EVERPURE	EV932422													3/4"		2B	
	3	1	GRIDDLE, GAS	NIC	BY OTHERS												X	X	G.C. SHALL PROVIDE WALL BLOCKING AS REQUIRED.	3	
	4	1	REFRIGERATED EQUIPMENT STAND	NIC	BY OTHERS	X	X	X				X	X				X	X	ALL TRADES SHALL VERIFY DIMENSIONS AND UTILITY REQUIREMENTS PRIOR TO ROUGH-INS.	4	
	5	1	TWO BURNER HOT PLATE, GAS	NIC	BY OTHERS												X	X	ALL TRADES SHALL VERIFY DIMENSIONS AND UTILITY REQUIREMENTS PRIOR TO ROUGH-INS.	5	
	6	1	STORAGE SHELVING	CENTAUR	EPOXY														TO CONSIST OF FOUR (4) TIERS ON 74" HIGH POSTS.	6	
	7	1	WORK TABLE, STAINLESS STEEL TOP	ADVANCE TABCO	AG-364															7	
	8	1	DOUBLE OVERSHELF	TRIMARK	FABRICATE														ALL S/S CONSTRUCTION 13" X 16", 4" SECTION W/ THREE (3) SHELVES. PROVISIONS FOR #9 HEAT LAMP.	8	
	9	1	HEAT LAMP	MARSHALL AIR	500794	120		1.3	1.75											9	
	10	1	COOK AND HOLD OVEN	NIC	BY OTHERS	X	X	X				X	X						ALL TRADES SHALL VERIFY DIMENSIONS AND UTILITY REQUIREMENTS PRIOR TO ROUGH-INS.	10	
	11	1	MEGA TOP SANDWICH / SALAD PREPARATION REFRIGERATOR	HOSHIZAKI	CRM48-10M	115	1	15.0		1.6		DR	5-15P							11	
	12	1	THREE (3) COMPARTMENT SINK	ADVANCE TABCO	93-63-64-18R														(3) 1-1/2"	12	
	12A	1	PRE-RINSE FAUCET ASSEMBLY	T&S BRASS	B-0133-8UJ														1/2"	12A	
	12B	1	ADD ON FAUCET, FOR PRE-RINSE FAUCET	T&S BRASS	B-0156														1/2"	12B	
	12C	3	DRAIN LEVER, TRINET WASTE	T&S BRASS	B-3952														2"	12C	
	13	1	WORK TABLE, STAINLESS STEEL TOP	ADVANCE TABCO	AG-365															2"	
	14	1	MOP SINK CABINET	ADVANCE TABCO	8-0PC-64I															14	
	14A	1	SERVICE FAUCET	T&S BRASS	B-0065-85TR														1/2"	14A	
	15	1	EXHAUST HOOD	NIC	BY OTHERS	X	X	X				X	X						G.C. SHALL PROVIDE WALL BLOCKING AS REQUIRED.	15	
	15A	1	EXHAUST FAN	NIC	BY OTHERS	X	X	X				X	X						ALL TRADES SHALL VERIFY DIMENSIONS AND UTILITY REQUIREMENTS PRIOR TO ROUGH-INS.	15A	
	15B	1	MAKE UP AIR FAN	NIC	BY OTHERS	X	X	X				X	X						ALL TRADES SHALL VERIFY DIMENSIONS AND UTILITY REQUIREMENTS PRIOR TO ROUGH-INS.	15B	
	15C	1	FIRE PROTECTION SYSTEM	NIC	BY OTHERS	X	X	X				X	X						ALL TRADES SHALL VERIFY DIMENSIONS AND UTILITY REQUIREMENTS PRIOR TO ROUGH-INS.	15C	
	16	1	MIXER, DRINK / BAR	WARING	DMC201DCA	120	1	1.56				DR	5-15P							16	
	17	1	SPARE NUMBER	CUSTOM																17	
	18	2	INDUCTION FOOD PAN WARMER, DROP-IN	VOLLRATH	741101DW	120	1	2.1	25			DR	5-15P						W/ INSERT FOR INDUCTION RETHERMALIZER, VEGETABLE INSET COVER, AND DECORATIVE RING.	18	
	19	1	DRAFT BEER COOLER	NIC	BY OTHERS	X	X	X				X	X						ALL TRADES SHALL VERIFY DIMENSIONS AND UTILITY REQUIREMENTS PRIOR TO ROUGH-INS.	19	
	20	1	SODA DISPENSER	NIC	BY OTHERS	X	X	X				X	X	X					ALL TRADES SHALL VERIFY DIMENSIONS AND UTILITY REQUIREMENTS PRIOR TO ROUGH-INS.	20	
	21	1	HAND SINK	ADVANCE TABCO	7-PS-22														1/2"	21	
	22	1	WALK IN COOLER	NORLAKE	WVC-810	120	1	15.0											1/2"	22	
	22A	1	WALK IN COOLER EVAPORATOR	NORLAKE	CUSTOM	X	X	X											3/4"	22A	
	22B	1	WALK IN COOLER CONDENSER	NORLAKE	CUSTOM	X	X	X												22B	
	23	5	STORAGE SHELVING	CENTAUR	EPOXY															23	
	24	2	STORAGE SHELVING	CENTAUR	EPOXY															24	
	25	1	HAND SINK	CENTAUR	SSHAND2SSND														1-1/2"	25	
	25A	1	WALL / SPLASH MOUNT FAUCET	T&S BRASS	B-1146-01														1/2"	25A	
	26	1	PREP SINK	NIC	BY OTHERS														X	26	
	27	1	WORK TABLE, STAINLESS STEEL TOP	ADVANCE TABCO	SS-304															27	
	28	1	ICE CREAM DIPPING CABINET	MASTER-BILT	DC-25	115	1	5.7		1.4		DR	5-15P						W/ DIPPER WELL.	28	
	29	1	"L" SHAPED COUNTER	TRIMARK	FABRICATE														ALL S/S CONSTRUCTION "L" SHAPED 3-7" X 5-8" W/ 6" X 42" TRAY REST.	29	
	30	1	SOUP COUNTER	TRIMARK	FABRICATE														ALL S/S CONSTRUCTION 8-6" X 15" WIDE W/ 10" X 10" 6" DEEP SINK BOWL W/ APRON. PROVISIONS FOR DROP-IN SOUP WARMERS ON RIGHT.	30	
	30A	1	DECK MOUNT FAUCET	T&S BRASS	B-0325														1/2"	30A	
	31	2	SHELVING, WALL-MOUNTED	ADVANCE TABCO	WS-19-36															G.C. SHALL PROVIDE WALL BLOCKING AS REQUIRED.	31
	32	1	WALK IN FREEZER	NORLAKE	CUSTOM	208-230	1	15.0		1									5/8" X 6-7", W/ ONE (1) 30" DOOR, WITH FLOOR, LED LIGHTS, 26 GAUGE EMBOSSED COATED STEEL INTERIOR/EXTERIOR, 36" HIGH DIAMOND TREADPLATE W/ ANTI-SLIP WHERE EXPOSED AND ON INTERIOR/EXTERIOR OF DOOR, TRIM STRIPS AND ENCLOSURE PANELS.	32	
	32A	1	WALK IN COOLER EVAPORATOR	NORLAKE	CUSTOM	X	X	X												VERIFY AND COORDINATE UTILITIES WITH MANUFACTURER'S FINAL APPROVED SHOP DRAWINGS.	32A
	32B	1	WALK IN COOLER CONDENSER	NORLAKE	CUSTOM	X	X	X												VERIFY AND COORDINATE UTILITIES WITH MANUFACTURER'S FINAL APPROVED SHOP DRAWINGS.	32B

Bob's Clam Hut
 PORTLAND, ME
 Foodservice Equipment Drawings

PROJECT NUMBER:	18-035
DATE:	02/12/2018
SCALE:	1/4" = 1'-0"
DRAWN BY:	TJL
APPROVED BY:	ED

FOODSERVICE EQUIPMENT PLAN

SHEET NUMBER:
K101