



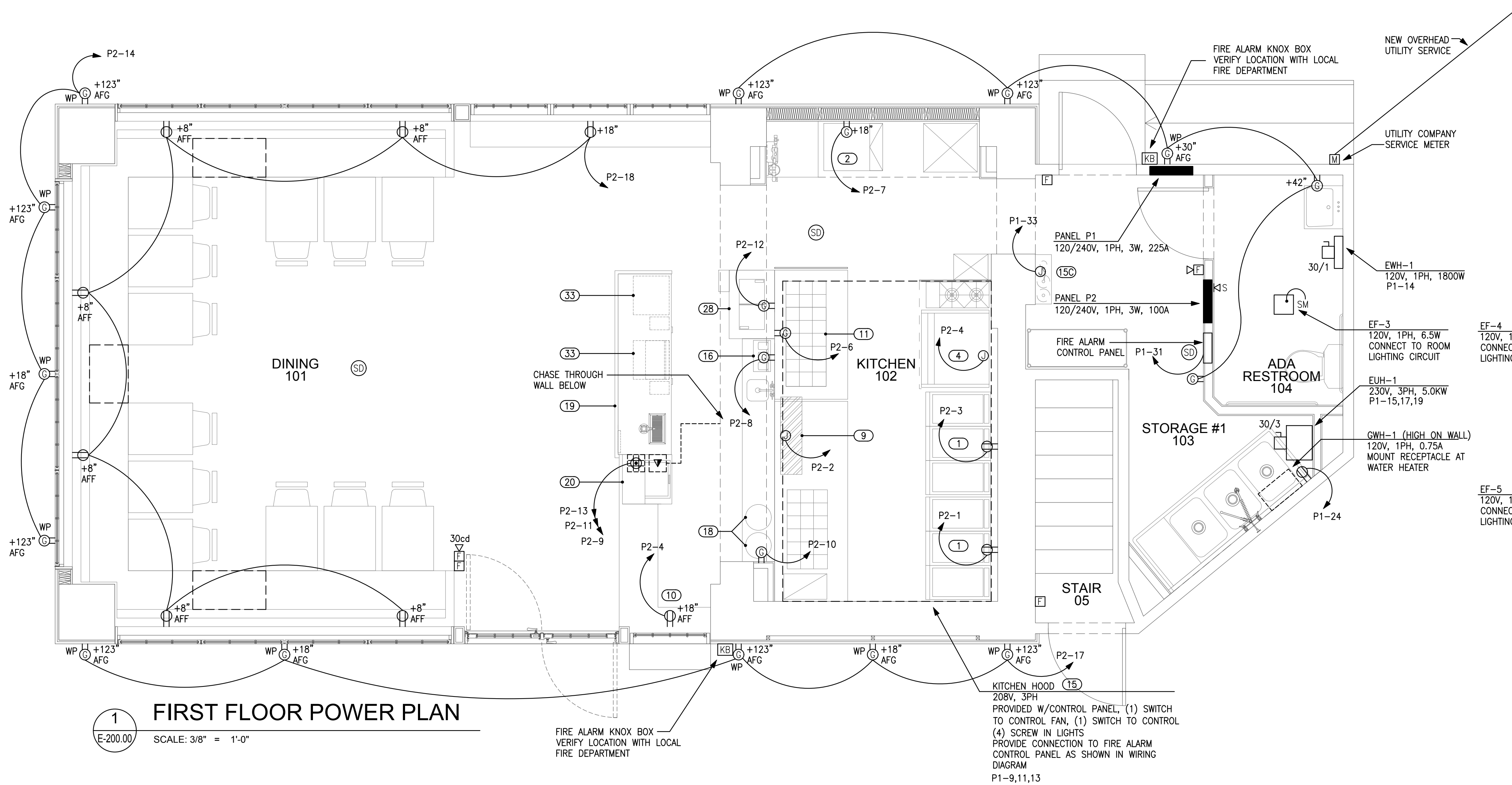
Bob's Clam Hut
109 Cumberland Avenue
Portland, Maine

OWNER
Bob's Clam Hut
315 U.S. Route 1
Kittery, Maine
Telephone: (207) 439-4233
Contact: Michael Landgarten

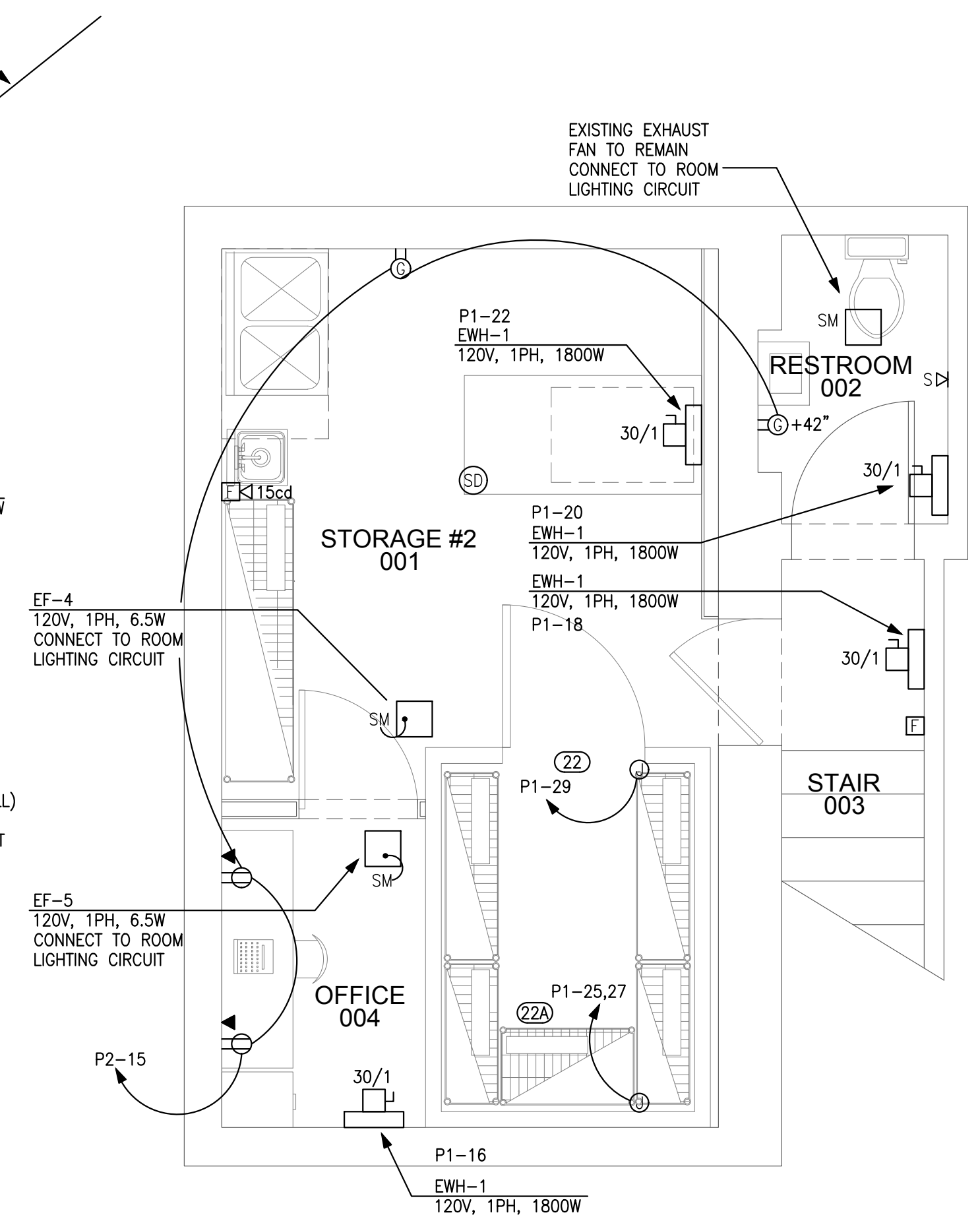
DESIGNER
Paul Bennett Architect PC
25 West 31st Street, Floor 7
New York, New York 10001
Telephone: (212) 209-1177
Contact: Lisa Wright

DESIGNER
Bennett Engineering, Inc.
7 Bennett Road, P.O. Box 297
Freeport, ME 04032
Telephone: (207) 865-9475
Contact: William Bennett

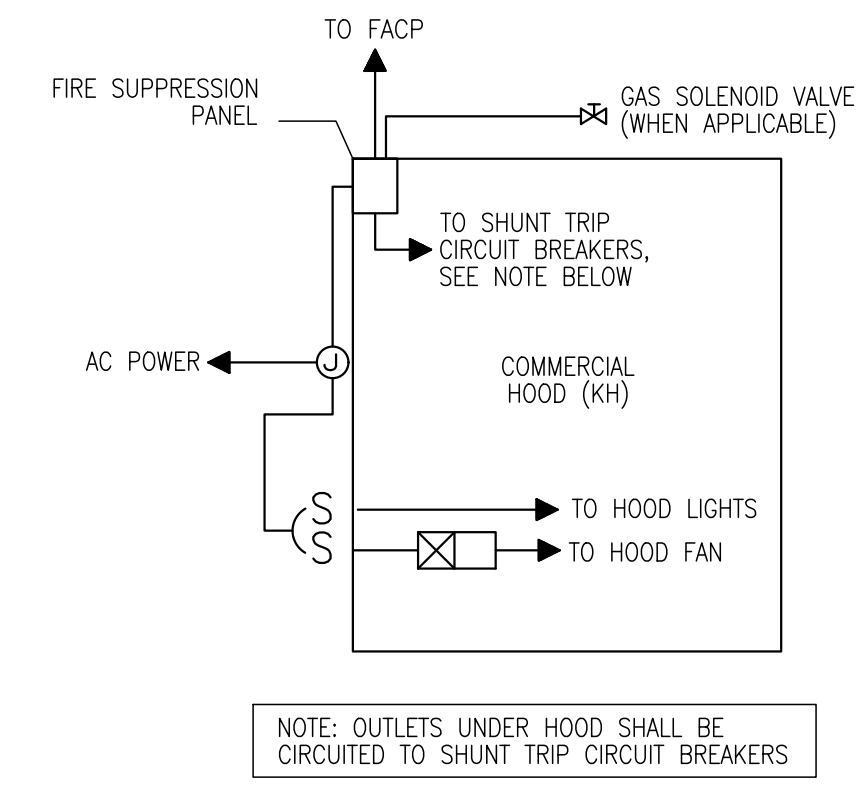
KITCHEN CONSULTANT
TriMark
505 Collins Street
South Amherst, MA 02703-8039
Telephone: (508) 399-6000
Contact: Ed Dresser



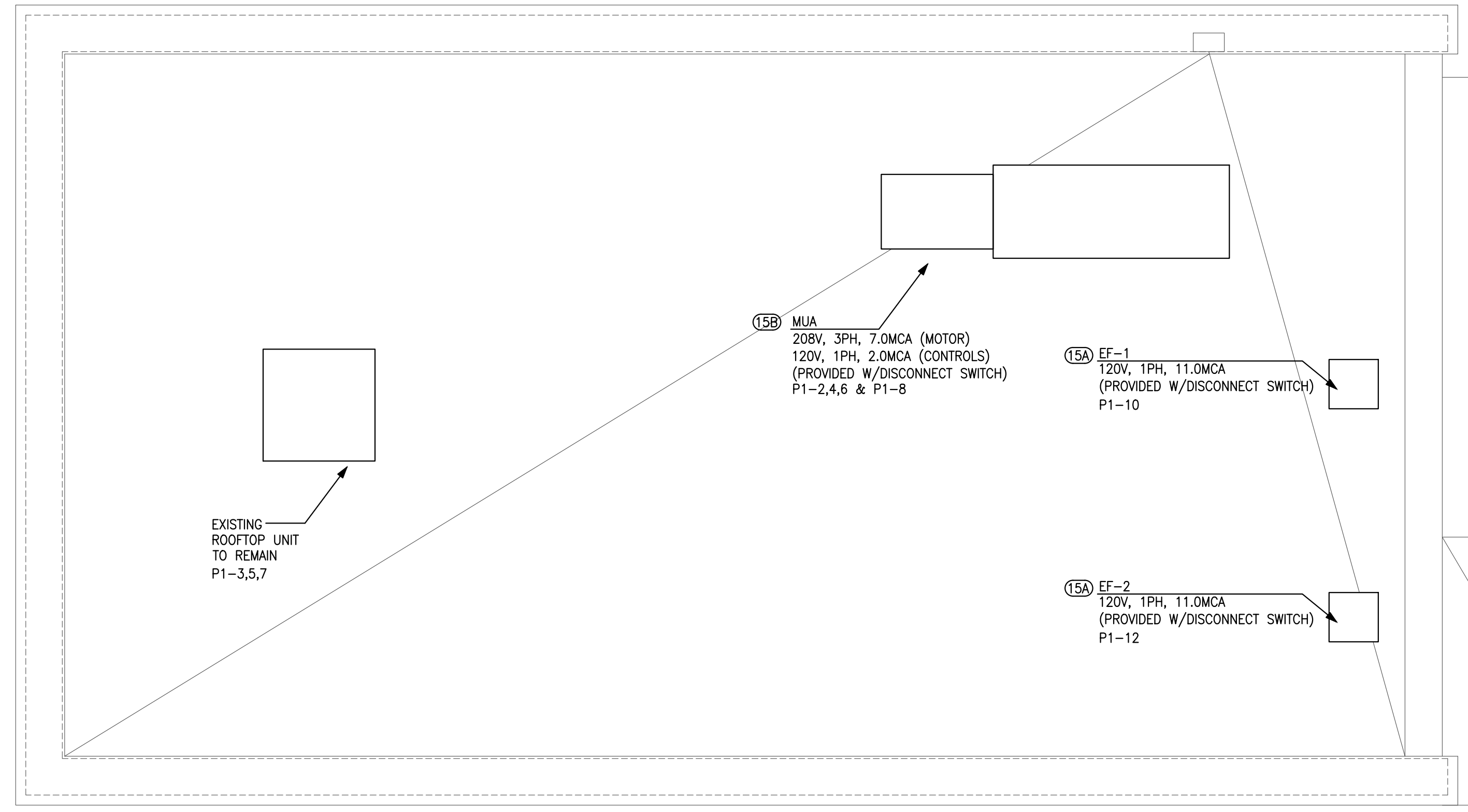
1 FIRST FLOOR POWER PLAN
E-200.00 SCALE: 3/8" = 1'-0"



2 BASEMENT POWER PLAN
E-200.00 SCALE: 3/8" = 1'-0"



4 COMMERCIAL HOOD WIRING DIAGRAM
E-200.00 SCALE: NOT TO SCALE



3 ROOF POWER PLAN
E-200.00 SCALE: 3/8" = 1'-0"

ITEM INFORMATION		KITCHEN EQUIPMENT SCHEDULE ELECTRICAL INFORMATION							
ITEM NUMBER	QTY	ITEM	VOLTAGE	PHASE	AMPS	WATTS	CONNECTION	CKT BKR	NOTES
1	2	FRYERS (3 FRYERS EACH)	120	1	3		NEMA 5-20, GFCCI	20A/1P (ST)	EXISTING EQUIPMENT, VERIFY ELECTRICAL
2	1	ICE CUBER	115	1	11.7		NEMA 5-20, GFCCI	20A/1P	
4	1	REFRIGERATED EQUIPMENT STAND	115	1	3		DIRECT	20A/1P (ST)	EQUIPMENT NIC, VERIFY ELECTRICAL
9	1	HEAT LAMP	120	1	1.3	1750	DIRECT	20A/1P (ST)	
10	1	COOK AND HOLD OVEN	120	1	6.7		NEMA 5-20	20A/1P	EQUIPMENT NIC, VERIFY ELECTRICAL
11	1	SANDWICH/SALAD PREP REFRIGERATOR	120	1	15		NEMA 5-20	20A/1P (ST)	
15	1	EXHAUST HOOD	208	3			DIRECT	20A/3P	EQUIPMENT NIC, VERIFY ELECTRICAL
15A	2	EXHAUST FAN					DIRECT	20A/1P	EQUIPMENT NIC, VERIFY ELECTRICAL
15B	1	MAKE UP AIR FAN					DIRECT	20A/3P	EQUIPMENT NIC, VERIFY ELECTRICAL
15C	1	FIRE PROTECTION SYSTEM	120	1			DIRECT	20A/1P	EQUIPMENT NIC, VERIFY ELECTRICAL
16	1	MIXER, DRINK/BAR	120	1	1.56		NEMA 5-20	20A/1P	
18	2	INDUCTION FOOD WARMER, DROP-IN	120	1	2.1	250	NEMA 5-20	20A/1P	
19	1	DRAFT BEER COOLER	120	1			NEMA 5-20	20A/1P	EQUIPMENT NIC, VERIFY ELECTRICAL
20	1	SODA DISPENSER	120	1	4.2		NEMA 5-20	20A/1P	EQUIPMENT NIC, VERIFY ELECTRICAL
22	1	WALK-IN COOLER	120	1	15		DIRECT	20A/1P	
22A	1	WALK-IN COOLER EVAPORATOR	208	1			DIRECT	20A/2P	CUSTOM, VERIFY ELECTRICAL
22B	1	WALK-IN COOLER CONDENSER	208	3			DIRECT	20A/2P	CUSTOM, VERIFY ELECTRICAL
28	1	ICE CREAM DIPPING CABINET	115	1	5.7		NEMA 5-20	20A/1P	
33	2	CASH REGISTER	120	1			NEMA 5-20	20A/1P	VERIFY ELECTRICAL

ISSUED FOR PERMIT

REV. NO.	DATE	COMMENTS

PROJECT
Bob's Clam Hut
109 Cumberland Avenue
Portland, Maine

TITLE
POWER PLAN

FIG. NO.
E-200.00

SCALE: 3/8" = 1'-0"

ISSUED: 29-DECEMBER-2017

REVISION: 13-FEBRUARY-2018

DESIGNER
PAUL BENNETT ARCHITECT PC
25 WEST 31ST STREET, NEW YORK, NEW YORK 10014
TEL (212) 209-1177