

Required Minimum Dims. As Per ANSI 117.1-2009:

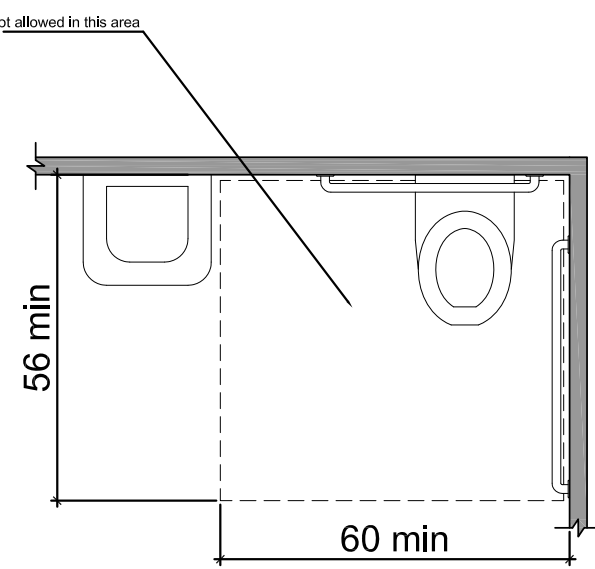


Figure 604.3.1
Size of Clearance at Water Closets

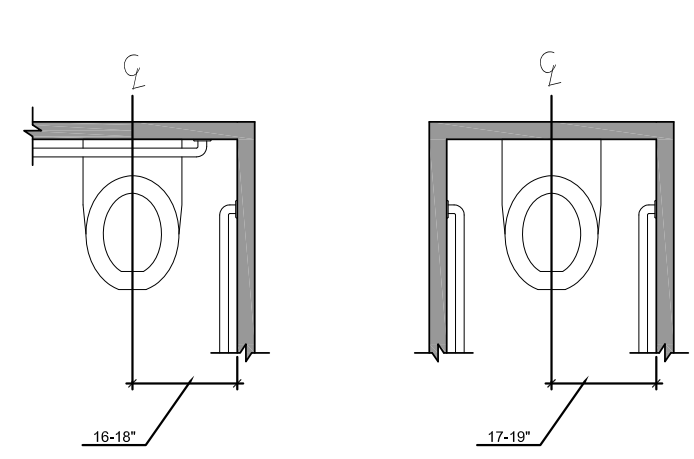


Figure 604.2
Water Closet Location

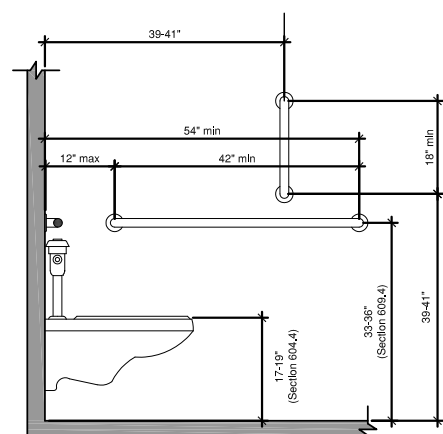


Figure 604.5.1
Side Wall Grab Bar at Water Closets

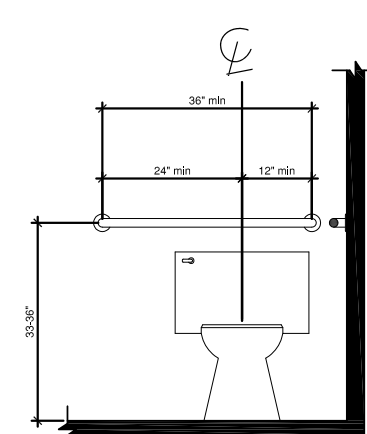


Figure 604.5.2
Rear Wall Grab Bar at Water Closets

604.1 General. Accessible water closets and toilet compartments shall comply with Section 604. Compartments containing more than one plumbing fixture shall comply with Section 603. Wheelchair accessible compartments shall comply with Section 604.4. Ambulatory accessible compartments shall comply with Section 604.10.

604.2 Location. The water closet shall be located with a wall or partition to the rear and to one side. The centerline of the water closet shall be 16 inches (405 mm) minimum and 18 inches (455 mm) maximum from the side wall or partition. Water closets located in ambulatory accessible compartments specified in Section 604.10 shall have the centerline of the water closet 17 inches (430 mm) minimum and 19 inches (485 mm) maximum from the side wall or partition.

604.3.1 Clearance width. Clearance around a water closet shall be 60 inches (1525 mm) minimum in width, measured perpendicular from the sidewall.

604.3.2 Clearance depth. Clearance around the water closet shall be 56 inches (1420 mm) minimum in depth, measured perpendicular from the rear wall.

604.3.3 Clearance overlap. The required clearance around the water closet shall be permitted to overlap the water closet, associated grab bars, paper dispensers, sanitary napkin receptacles, coat hooks, shelves, accessible routes, clear floor space at other fixtures and the turning space. No other fixtures or obstructions shall be within the required water closet clearance.

604.4 Height. The height of water closet seats shall be 17 inches (430 mm) minimum and 19 inches (485 mm) maximum above the floor, measured to the top of the seat. Seats shall not be sprung to return to a lifted position.

EXCEPTION: A water closet in a toilet room for a single occupant, accessed only through a private office and not for common use or public use, shall not be required to comply with Section 604.4.

604.5 Grab Bars. Grab bars for water closets shall comply with Section 604.5.1 and 604.5.2. Grab bars shall be provided on the rear wall and on the side wall closest to the water closet.

EXCEPTIONS:

- Grab bars are not required to be installed in a toilet room for a single occupant, accessed only through a private office and not for common use or public use, provided reinforcement Chapter 6. Plumbing Elements and Facilities has been installed in walls and located so as to permit the installation of grab bars complying with Section 604.5.
- In detention or correction facilities, grab bars are not required to be installed in housing or holding cells or rooms that are specially designed without protrusions for purposes of suicide prevention.

604.5.1 Fixed Side Wall Grab Bars. Fixed side-wall grab bars shall be 42 inches (1065 mm) minimum in length located 12 inches (305 mm) maximum from the rear wall and extending 54 inches (1370 mm) minimum from the rear wall. In addition, a vertical grab bar 18 inches (455 mm) minimum in length shall be mounted with the bottom of the bar located 34 inches (860 mm) minimum and 41 inches (1040 mm) maximum from the rear wall.

EXCEPTION: The vertical grab bar at water closets primarily for children's use shall comply with Section 604.5.2.

604.5.2 Rear Wall Grab Bars. The rear wall grab bar shall be 36 inches (915 mm) minimum in length, and extend from the centerline of the water closet 12 inches (305 mm) minimum on the side closest to the wall, and 24 inches (610 mm) minimum on the transfer side.

EXCEPTIONS:

- The rear grab bar shall be permitted to be 24 inches (610 mm) minimum in length, centered on the water closet, where wall space does not permit a grab bar 36 inches (915 mm) minimum in length due to the location of a recessed fixture adjacent to the water closet.
- Where an administrative authority requires flush controls for flush valves to be located in a position that conflicts with the location of the rear grab bar, that grab bar shall be permitted to be split or shifted to the open side of the toilet area.

604.6 Flush Controls. Flush controls shall be hand operated or automatic. Hand operated flush controls shall comply with Section 304. Flush controls shall be located on the open side of the water closet.

EXCEPTION: In ambulatory accessible compartments complying with Section 604.10, flush controls shall be permitted to be located on either side of the water closet.

604.7 Dispensers. Toilet paper dispensers shall comply with Section 304.4. Where the dispenser is located above the grab bar, the outlet of the dispenser shall be located within an area 24 inches (610 mm) minimum and 36 inches (915 mm) maximum from the rear wall. Where the dispenser is located below the grab bar, the outlet of the dispenser shall be located within an area 24 inches (610 mm) minimum and 42 inches (1065 mm) maximum from the rear wall. The outlet of the dispenser shall be located 18 inches (455 mm) minimum and 48 inches (1220 mm) maximum above the floor. Dispensers shall comply with Section 609.3. Dispensers shall not be of a type that control delivery, or do not allow continuous paper flow.

604.8 Coat Hooks and Shelves. Coat hooks provided in toilet compartments shall be 48 inches (1220 mm) maximum above the floor. Shelves shall be 40 inches (1015 mm) minimum and 48 inches (1220 mm) maximum above the floor.

604.9 Wheelchair Accessible Compartments.

604.9.1 General. Wheelchair accessible compartments shall comply with Section 604.4.

604.9.2 Size. Toilet compartments shall comply with Section 604.4.2 or 604.4.2.2 as applicable.

604.9.2.1 Minimum area. The minimum area of a wheelchair accessible compartment shall be 60 inches (1525 mm) minimum in width measured perpendicular to the side wall, and 56 inches (1420 mm) minimum in depth for wall hung water closets, and 54 inches (1365 mm) minimum in depth for floor-mounted water closets measured perpendicular to the rear wall.

604.9.2.2 Compartment for children's use. The minimum area of a wheelchair accessible compartment primarily for children's use shall be 60 inches (1525 mm) minimum in width measured perpendicular to the side wall, and 54 inches (1365 mm) minimum in depth for wall hung and floor-mounted water closets measured perpendicular to the rear wall.

604.9.3 Doors. Toilet compartment doors, including door hardware, shall comply with Section 404, except if the approach is to the latch side of the compartment door clearance between the door side of the stall and any obstruction shall be 42 inches (1065 mm) minimum. The door shall be self-closing. A door pull complying with Section 404.2.6 shall be placed on both sides of the door near the latch. Toilet compartment doors shall not swing into the required minimum area of the compartment.

604.9.3.1 Door Opening Location. The furthest edge of toilet compartment door opening shall be located in the front wall or partition or in the side wall or partition as required by Table 604.9.3.1.

604.9.4 Approach. Wheelchair accessible compartments shall be arranged for left-hand or right-hand approach to the water closet.

604.9.5 Toe Clearance. Toe clearance for compartments primarily for children's use shall comply with Section 604.9.2. Toe clearance for other wheelchair accessible compartments shall comply with Section 604.9.3.1.

604.9.5.1 Toe Clearance at Compartments. The front partition and at least one side partition shall provide a toe clearance of 4 inches (100 mm) minimum above the floor and extending 6 inches (150 mm) beyond the compartment side face of the partition, exclusive of partition support members.

EXCEPTIONS:

- Toe clearance at the front partition is not required in a compartment greater than 62 inches (1575 mm) in depth with a wall-hung water closet, or greater than 65 inches (1650 mm) in depth with a floor-mounted water closet.
- Toe clearance at the side partition is not required in a compartment greater than 66 inches (1675 mm) in width.

604.9.6 Grab Bars. Grab bars shall comply with Section 604.5. Side wall grab bars complying with Section 604.5.1 located on the wall closest to the water closet, and a rear wall grab bar complying with Section 604.5.2, shall be provided.

604 Water Closets and Toilet Compartments

B

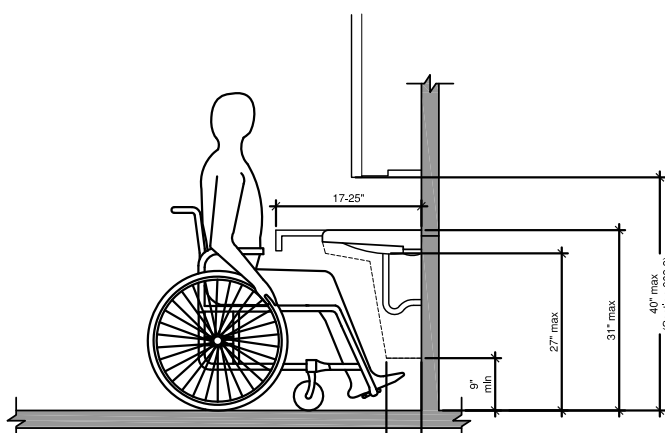


Figure 606.3
Height of Lavatories and Sinks

606.2 Clear Floor Space. A clear floor space complying with Section 305.3, positioned for forward approach, shall be provided. Knee and toe clearance complying with Section 306 shall be provided. The dip of the overflow shall not be considered in determining knee and toe clearances.

606.3 Height. The front of lavatories and sinks shall be 34 inches (865 mm) maximum above the floor, measured to the higher of the rim or counter surface.

606.4 Faucets. Faucets shall comply with Section 304. Hand-operated metering faucets shall remain open for 10 seconds minimum.

606 Lavatories and Sinks

C

603.2.1 Turning Space. A turning space complying with Section 304 shall be provided within the room. The required turning space shall not be provided within a toilet compartment.

603.2.2 Door Swing. Doors shall not swing into the clear floor space or clearance for any fixture.

EXCEPTIONS:

1. Doors to a toilet or bathing room for a single occupant, accessed only through a private office and not for common use or public use shall be permitted to swing into the clear floor space, provided the swing of the door can be reversed to comply with Section 603.2.2.

2. Where the room is for individual use and a clear floor space complying with Section 305.3 is provided within the room beyond the arc of the door swing, the door shall not be required to comply with Section 603.2.2.

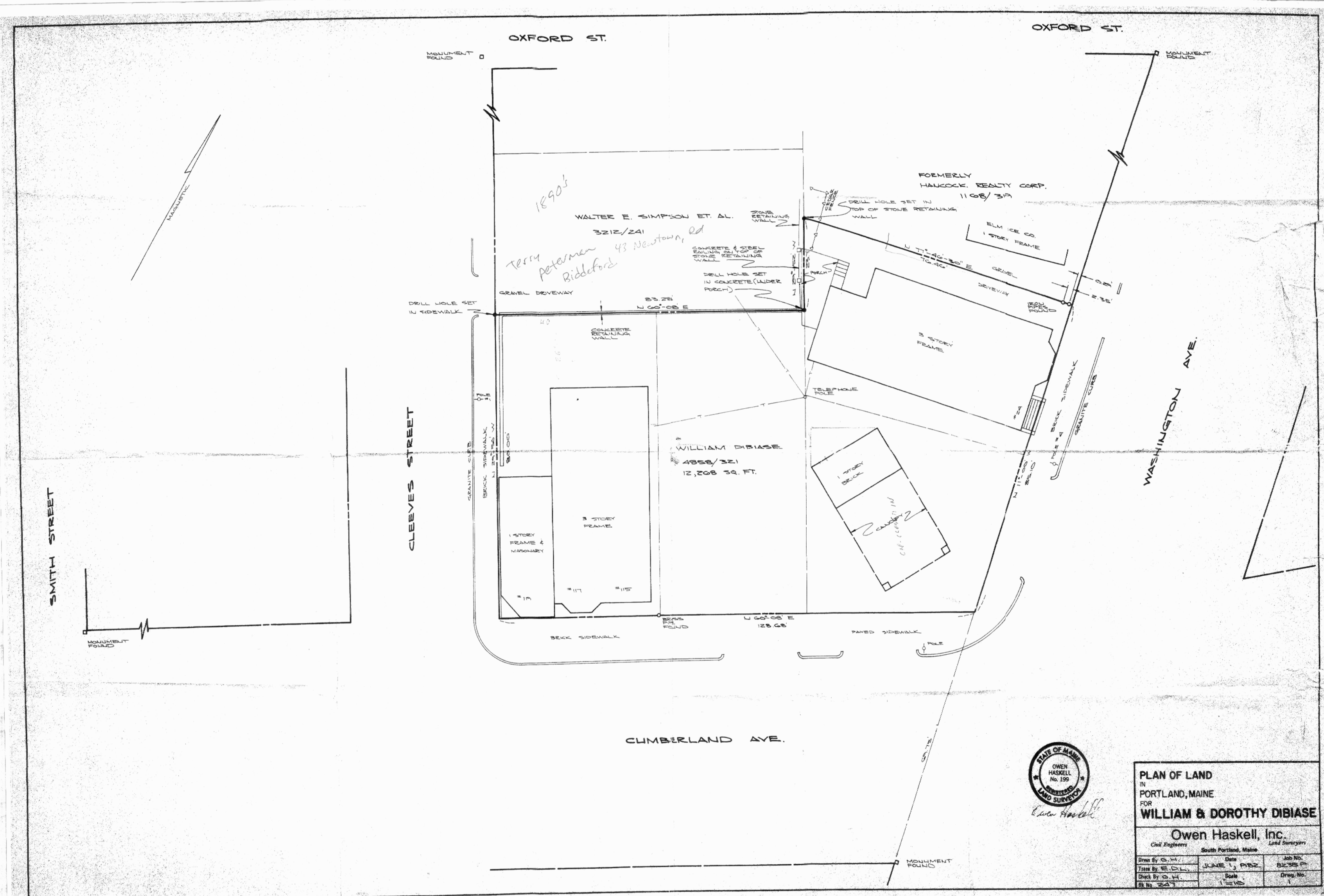
603.3 Mirrors. Where mirrors are located above lavatories, a mirror shall be located over the accessible lavatory and shall be mounted with the bottom edge of the reflecting surface 40 inches (1015 mm) maximum above the floor. Where mirrors are located above counters that do not contain lavatories, the mirror shall be mounted with the bottom edge of the reflecting surface 40 inches (1015 mm) maximum above the floor.

603.4 Coat Hooks and Shelves. Coat hooks shall be located within one of the reach ranges specified in Section 306. Shelves shall be 40 inches (1015 mm) minimum and 48 inches (1220 mm) maximum above the floor.

603.4 Operable Parts. Operable parts on towel dispensers and hand dryers serving accessible lavatories shall comply with Table 603.6.

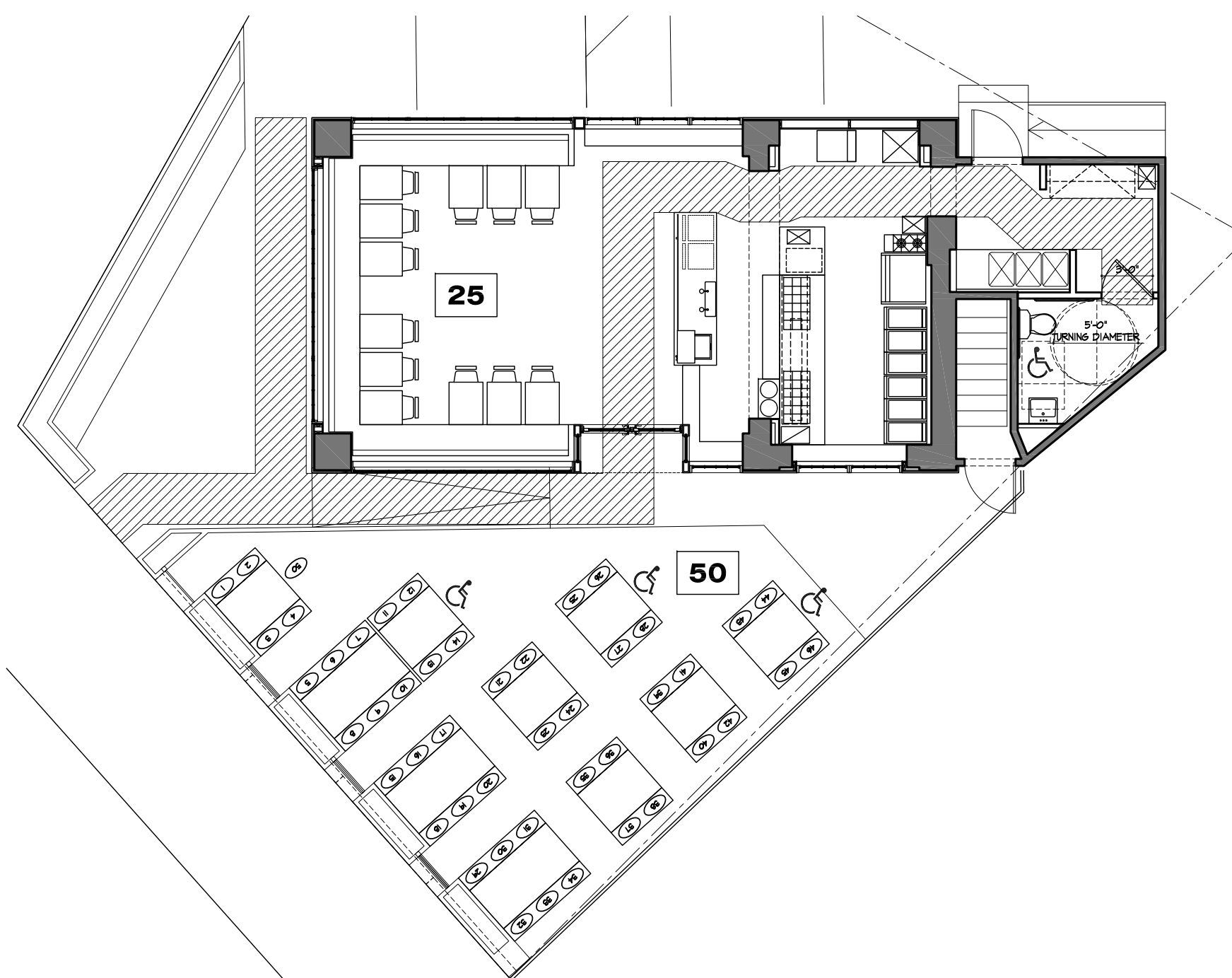
603 Toilet and Bathing Rooms

A



Site Plot Plan (From Surveyor)

NOTE:
SCALE: 1" = 20'-0"



PLUMBING FIXTURE REQUIREMENTS

BUILDING CODE REFERENCE: MRS TITLE 22, CHAPTER 210-B, SECTION 1686

§1686. Toilet facilities required

An eating establishment must provide at least one toilet facility for the use of its customers. Toilet facilities that require access through the food preparation area or the use of which would in any way cause the establishment to be in violation of any state law or rule may not be considered as fulfilling this requirement. The location of the toilets must be clearly marked, and the toilets must be maintained in a sanitary condition and in good repair and their location must be identifiable from the eating area. There may not be a charge for their use. Lavatory facilities must be located within or immediately adjacent to all toilet rooms or vestibules. [2013, c. 264, §2 (AMD).]

[Upon appeal, the Division of Health Engineering may exempt from the requirements of this chapter eating establishments of 13 to 25 seats which are not licensed for on-premise consumption of alcoholic beverages and which were in existence prior to September 30, 1985, and which: 1987, c. 769, Pt. A, §73 (NEW).]

1. **Shopping malls.** Are part of an enclosed mall which provides customer toilet facilities which are part of the public portion of the mall and not part of a business within the mall. [1987, c. 769, Pt. A, §73 (NEW).]

2. **Other facilities.** Have submitted evidence of an agreement with a 2nd party that customers of the eating establishment may use toilet facilities which are on the premises owned or rented by the 2nd party in cases where such use would not create a substantial inconvenience to the customer of the eating establishment. [1987, c. 769, Pt. A, §73 (NEW).]

3. **Construction exists.** Are housed in buildings of unique construction which makes installation of a toilet facility cost prohibitive; or [1987, c. 769, Pt. A, §73 (NEW).]

4. **Space loss.** Would lose 1/4 or more of their existing seating space if required to provide a toilet facility of a minimum size of 3 feet by 6 feet. [1987, c. 769, Pt. A, §73 (NEW).]

Any eating establishment which does not have a toilet facility available shall post a sign to that effect which may be seen upon entry to the eating establishment. [1987, c. 769, Pt. A, §73 (NEW).]

SECTION HISTORY:
1987, c. 8, §2 (NEW); 1987, c. 769, §AT3 (RFR); 2013, c. 264, §2 (AMD).

MINIMUM REQUIRED:	WC: 1	LAVATORY: 1
PROVIDED:	WC: 2 (1 ACCESSIBLE)	LAVATORY: 2



Bob's Clam Hut
109 Cumberland Avenue
Portland, Maine

OWNER
Bob's Clam Hut
315 U.S. Route 1
Kilby, Maine
Telephone: (207) 439-4233
Contact: Michael Landgarten

DESIGNER
Paul Bennett Architect PC
25 West 31st Street, Floor 7
New York, New York 10001
Telephone: (212) 208-1177
Contact: Lisa Wright

ENGINEER
Bennett Engineering, Inc.
7 Bennett Road, P.O. Box 297
Freeport, ME 04032
Telephone: (207) 865-9475
Contact: William Bennett

KITCHEN CONSULTANT
TriMark
505 Collins Street
South Portland, MA 02703-8039
Telephone: (508) 399-6000
Contact: Ed Dresser

REV. NO.	DATE	COMMENTS

PROJECT
Bob's Clam Hut
109 Cumberland Avenue
Portland, Maine

TITLE
General Notes, Plumbing Fixture Counts
Site Plot Plan (From Surveyor)

<p>FIG. NO. G-102.00</p>	
<p>SCALE 4 OF 13</p>	<p>SCALE As Noted</p>
<p>ISSUED 29-DECEMBER-2017</p>	<p>REVISION</p>

DESIGNER
PAUL BENNETT ARCHITECT PC
25 WEST 31ST STREET, NEW YORK, NEW YORK 10001
TEL: (212) 208-1177