



Bob's Clam Hut
109 Cumberland Avenue
Portland, Maine

OWNER
Bob's Clam Hut
315 U.S. Route 1
Kittery, Maine
Telephone: (207) 439-4233
Contact: Michael Landgarten

DESIGNER
Paul Bennett Architect PC
25 West 31st Street, Floor 7
New York, New York 10001
Telephone: (212) 209-1177
Contact: Lisa Wright

DESIGNER
Bennett Engineering, Inc.
7 Bennett Road, P.O. Box 297
Freeport, ME 04032
Telephone: (207) 865-9475
Contact: William Bennett

KITCHEN CONSULTANT
TriMark
505 Collins Street
South Amherst, MA 02703-8039
Telephone: (508) 399-6000
Contact: Ed Dresser

REV. NO. DATE COMMENTS

PROJECT
Bob's Clam Hut
109 Cumberland Avenue
Portland, Maine

TITLE
LIGHTING PLAN

DWG NO.
E-100.00

SEAL & SIGNATURE

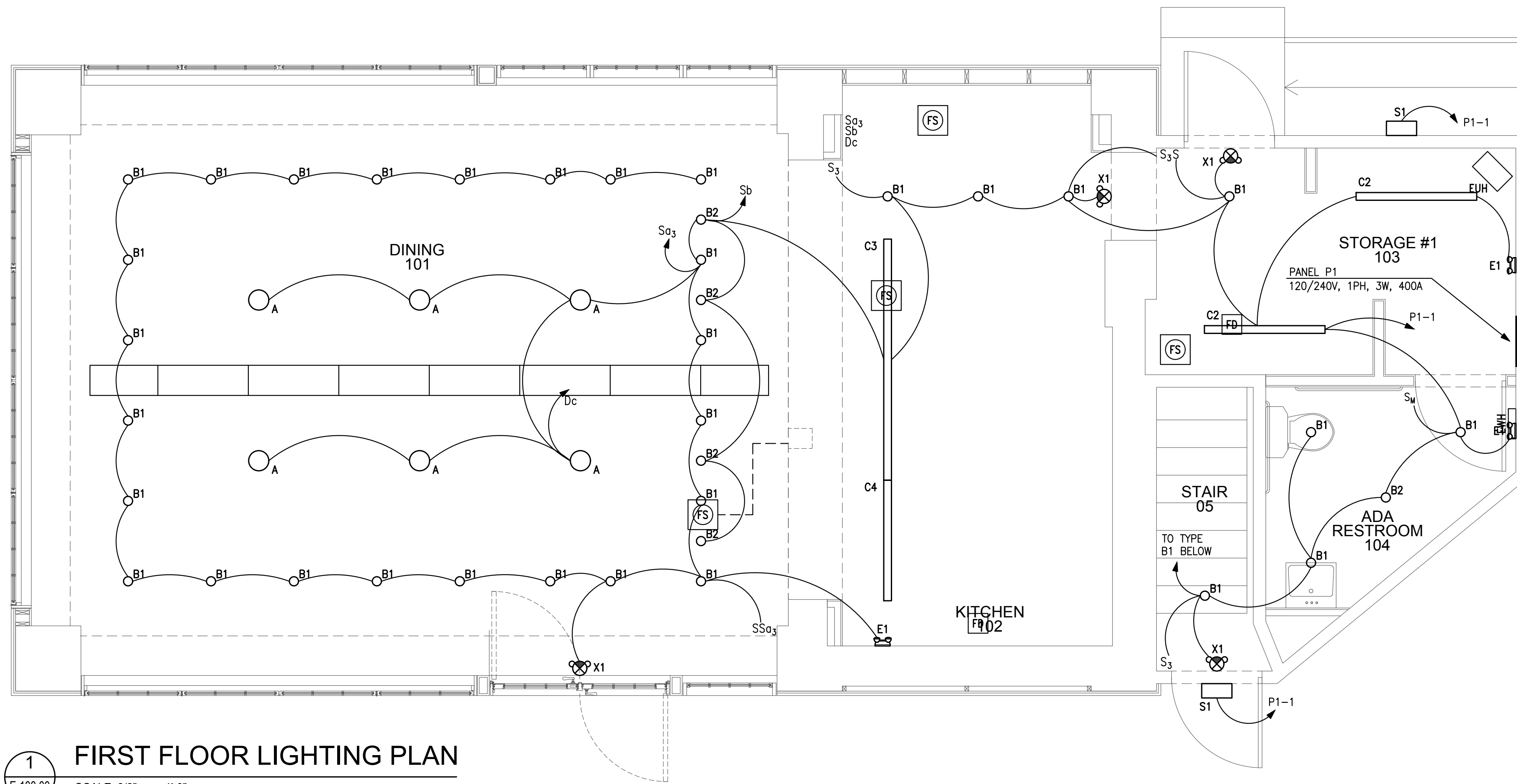
DATE
29-DECEMBER-2017

SCALE
3/8" = 1'-0"

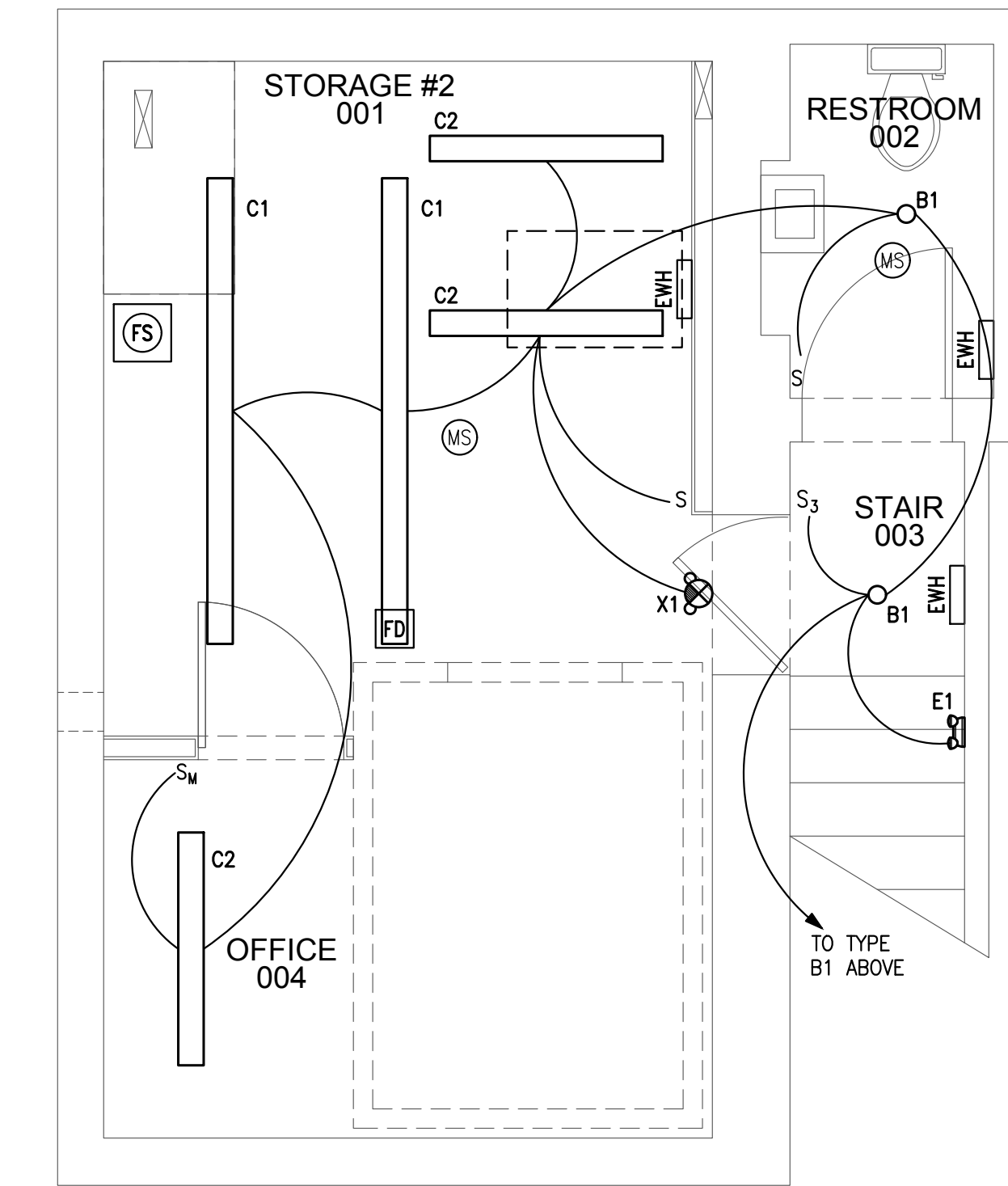
PAGE
- OF -

DESIGNER
PAUL BENNETT ARCHITECT PC
25 WEST 31ST STREET, NEW YORK, NEW YORK 10001
TEL (212) 209-1177

ISSUED FOR PERMIT



1 FIRST FLOOR LIGHTING PLAN
E-100.00 SCALE: 3/8" = 1'-0"



2 BASEMENT LIGHTING PLAN
E-100.00 SCALE: 3/8" = 1'-0"

LIGHTING FIXTURE SCHEDULE					
TYPE	MANUFACTURER	ORDING INFORMATION	LED INFORMATION	SIZE	DESCRIPTION
A	SCHOOLHOUSE LIGHTING	#RHODES 8"			PENDANT MTD DECORATIVE 8" DIA LIGHT
B1	STONCO	#3300-BLK W/ PHILLIPS # PAR30S-3000K LAMP	12W / 3000K / 900 LUMENS		DIE-CAST ALUMINUM MEDIUM BASE LAMP HOLDER W/PAR30 LED LAMP
B2	LEVITON	#9874 W/ PHILLIPS # PAR30S-3000K LAMP	12W / 3000K / 900 LUMENS		PORCELAIN MEDIUM BASE OUTLET BOX MOUNT LAMP HOLDER W/PAR30 LED LAMP
C1	A&L LIGHTING	#AL800-96-F32T8-120-SSK	15W / 3500K / 1900 LUMENS	96" L x 5.25"W x 5.625"H	PENDANT MTD FLUORESCENT STRIP LIGHT W/14 GAUGE STEEL WIRE GUARD AND INTEGRAL ELECTRONIC BALLAST. PROVIDE LED EQUIVALENT OF F32T8/3500K LAMP. PROVIDE W/STEM SUSPENSION KIT
C2	A&L LIGHTING	#AL800-48-F32T8-120-SSK	15W / 3500K / 1900 LUMENS	48" L x 5.25"W x 5.625"H	SIMILAR TO TYPE C1 EXCEPT 48" LONG
C3	KENNAL	#FES3-96-1-45L35K-DCC-1-DV-2H-PP	49W / 3500K / 4560 LUMENS	96" L x 4"W x 3.07"H	SURFACE MTD LINEAR LED W/20 GAUGE STEEL HOUSING, UV STABILIZED PEARLESCENT POLYCARBONATE SMOOTH LENS AND SILICONE GASKET TO SEAL DOORFRAME TO HOUSE. UL LISTED FOR DAMP LOCATIONS, FINISH: WHITE
C4	KENNAL	#FES3-48-1-45L35K-DCC-1-DV-2H-PP	49W / 3500K / 4560 LUMENS	48" L x 4"W x 3.07"H	SIMILAR TO TYPE C3 EXCEPT 48" LONG
E1	KENNAL	#VLLU2	4W / 6000K	7-5/8" L x 4-3/4"H x 2-3/16"D	UNIVERSAL MTD THERMOPLASTIC LOW PROFILE PROFILE EMERGENCY LIGHT W/ADJUSTABLE LED LAMP HEADS AND NICKEL CADMIUM BATTERY RATED TO OPERATE FIXTURE FOR 90 MINS UPON LOSS OF NORMAL POWER. UL LISTED FOR DAMP LOCATIONS, FINISH: WHITE, WALL MTD COMPACT ARCHITECTURAL DIE CAST ALUMINUM EXTERIOR LED LIGHT W/IESNA TYPE III DISTRIBUTION AND BUTTON
S1	STONCO	#LPW16-51BZPCB	49W / 3500K / 4560 LUMENS	12.02" L x 4.61"H x 5.71"D	PHOTOCELL CONTROL. UL LISTED FOR WET LOCATIONS. FINISH: BRONZE
X1	KENNAL	#VLLCG	3W / 6000K / 150 LUMENS	11-13/16" L x 9-9/16"H x 1-13/16"D	UNIVERSAL MTD THERMOPLASTIC COMBINATION EXIT SIGN/EMERGENCY LIGHT W/RED LETTERS, ADJUSTABLE LED LAMP HEADS AND NICKEL CADMIUM BATTERY RATED TO OPERATE FIXTURE FOR 90 MINS UPON LOSS OF NORMAL POWER. PROVIDE DIRECTIONAL ARROWS AS INDICATED ON DRAWINGS. UL LISTED FOR DAMP LOCATIONS, FINISH: WHITE