



Bob's Clam Hut
109 Cumberland Avenue
Portland, Maine

OWNER

Bob's Clam Hut
315 U.S. Route 1
Kittery, Maine
Telephone: (207) 439-4233
Contact: Michael Landgarten

DESIGNER

Paul Bennett Architect PC
25 West 31st Street, Floor 7
New York, New York, 10001
Telephone: (212) 209-1177
Contact: Lisa Wright

ENGINEER

Bennett Engineering, Inc.
7 Bennett Road, P.O. Box 297
Freeport, ME 04032
Telephone: (207) 855-9475
Contact: William Bennett

KITCHEN CONSULTANT

TriMark
505 Collins Street
South Attleboro, MA 02703-8039
Telephone: (508) 399-6000
Contact: Ed Dresser

REV. NO.	DATE	COMMENTS
----------	------	----------

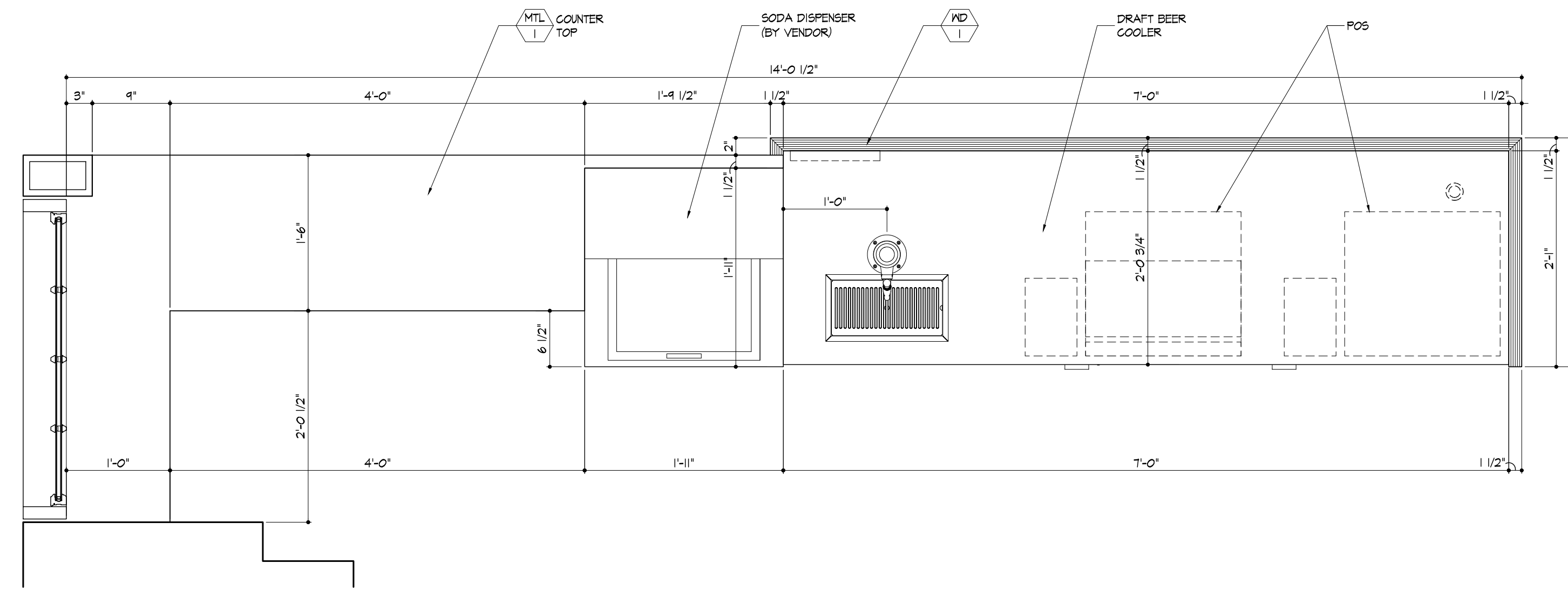
PROJECT
Bob's Clam Hut
109 Cumberland Avenue
Portland, Maine

TITLE
Details: Front Counter

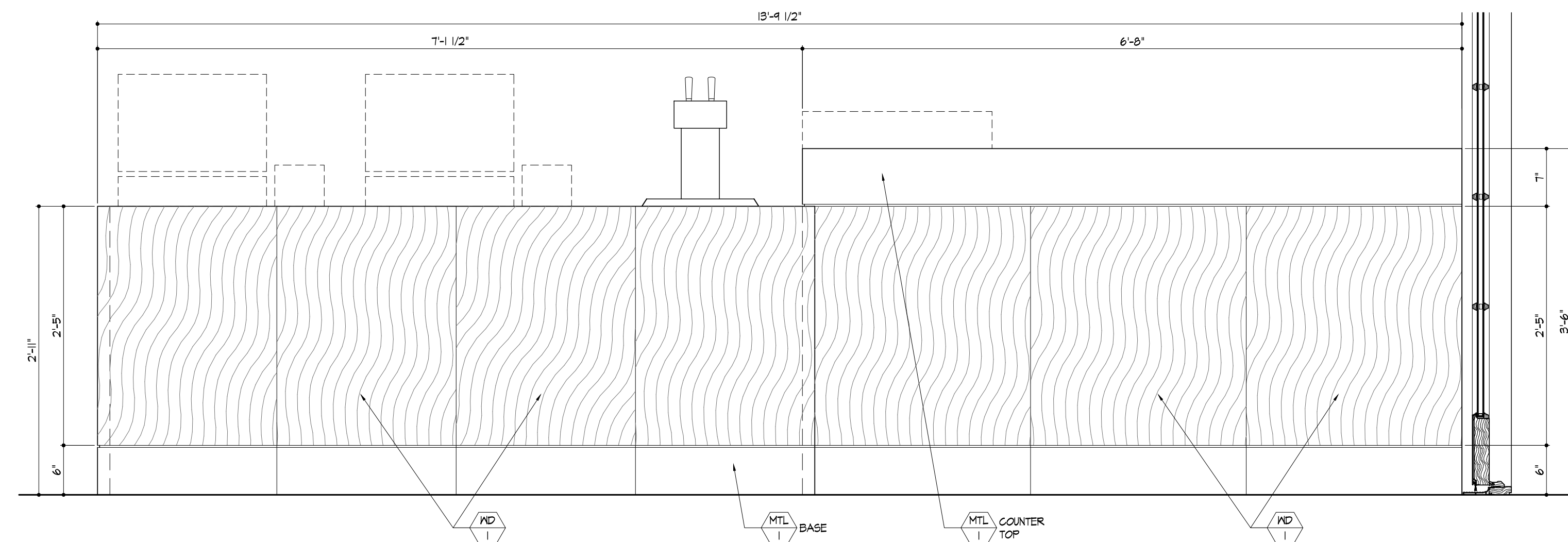
DWG NO.
A-402.00

SEAL & SIGNATURE	PAGE 15 OF 15
	SCALE 1" = 1'-0"
	ISSUED 29-DECEMBER-2017
	REVISION

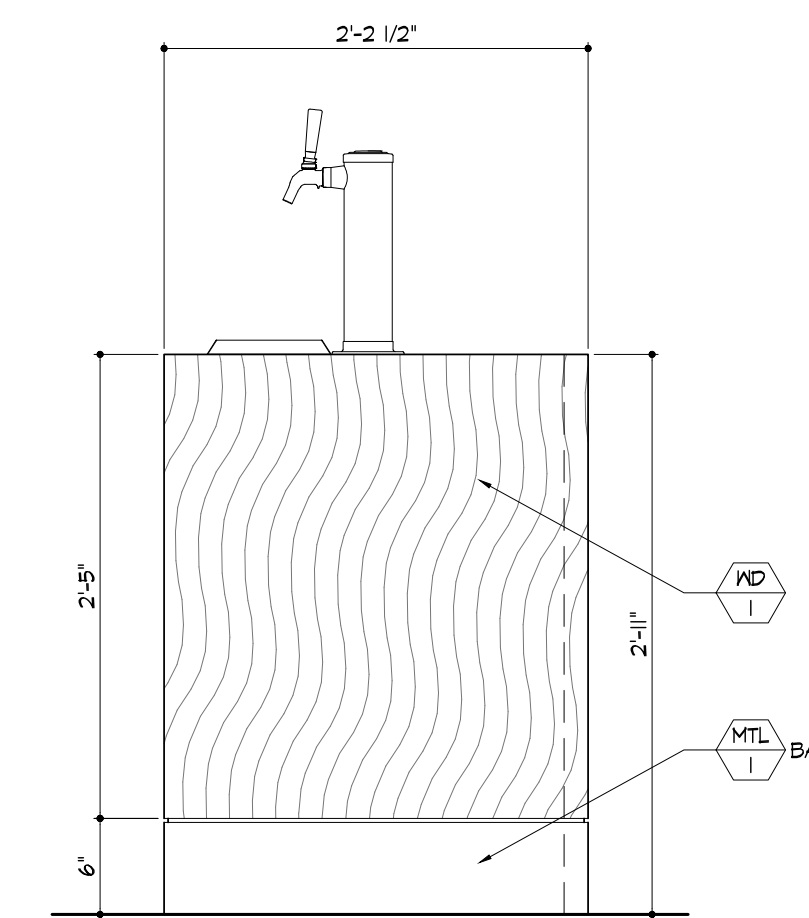
DESIGNER
PAUL BENNETT ARCHITECT PC
25 WEST 31ST STREET, NEW YORK, NEW YORK, 10001
TEL: (212) 209-1177



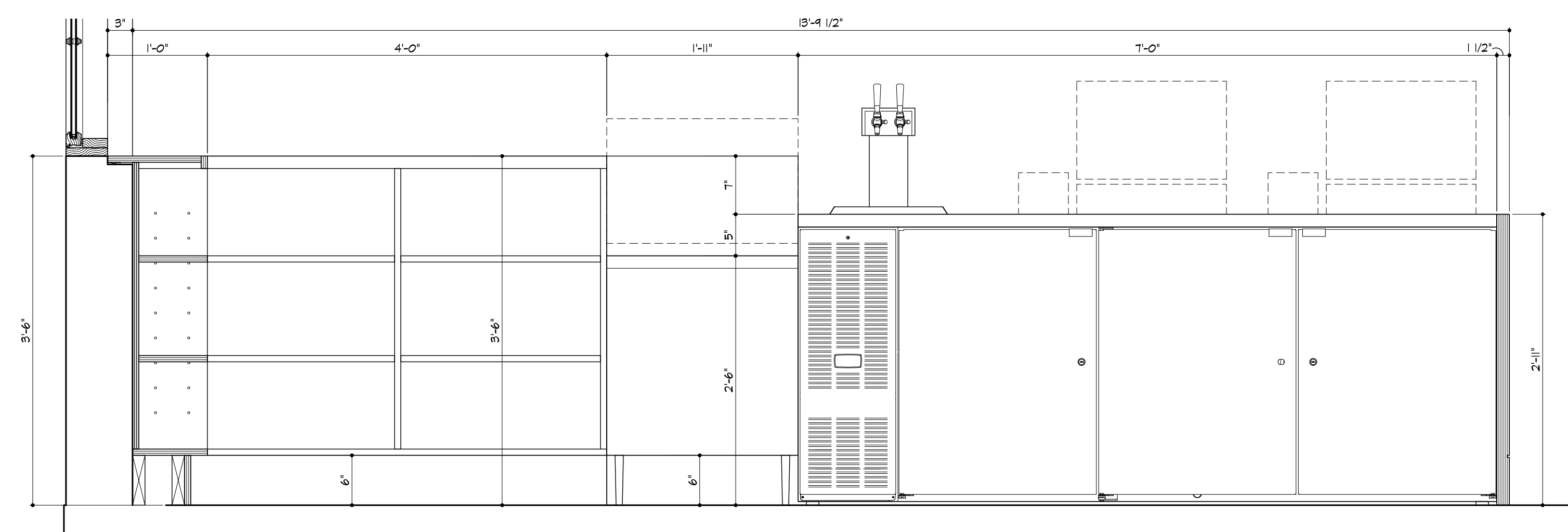
1 Plan
Scale: 1" = 1'-0"



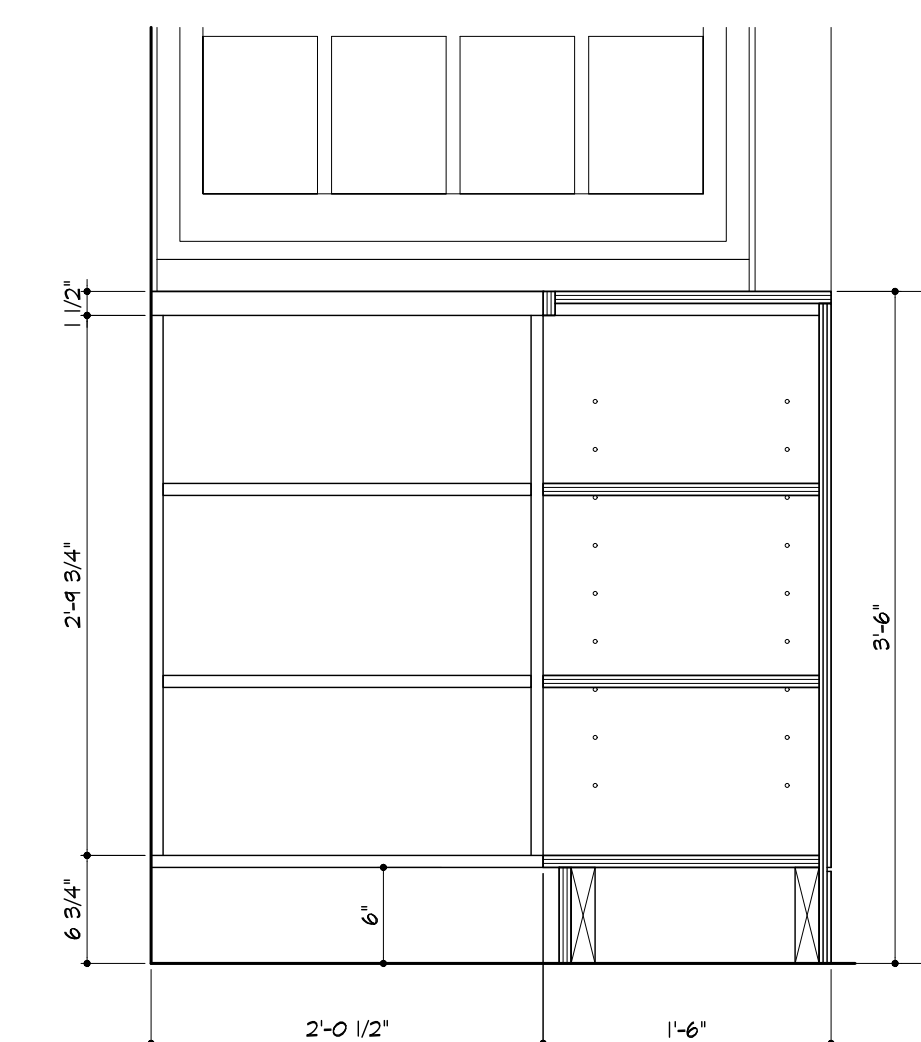
2 Front Elevation
Scale: 1" = 1'-0"



4 Side Elevation
Scale: 1" = 1'-0"



3 Back Elevation
Scale: 1" = 1'-0"



5 Side Elevation
Scale: 1" = 1'-0"