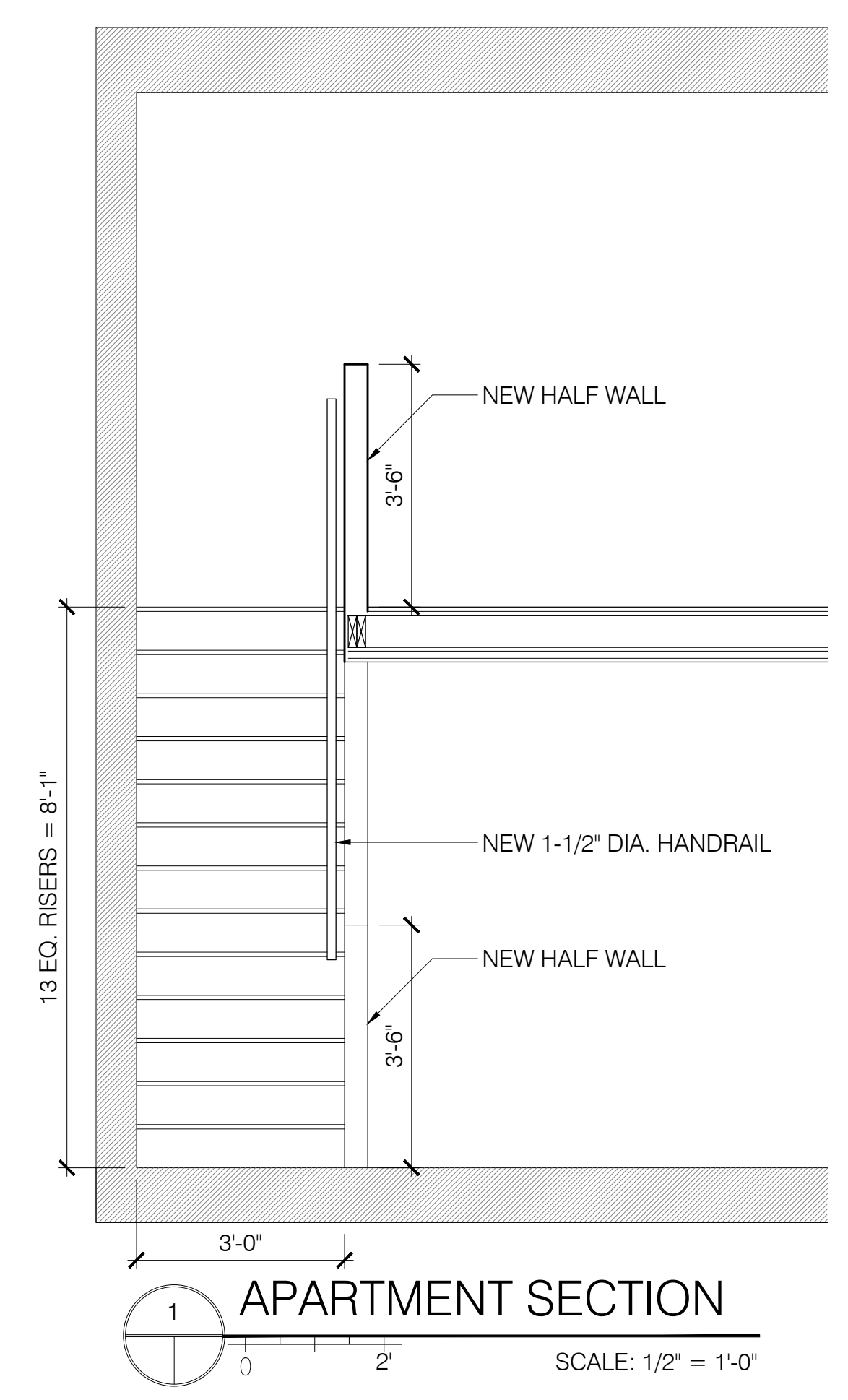
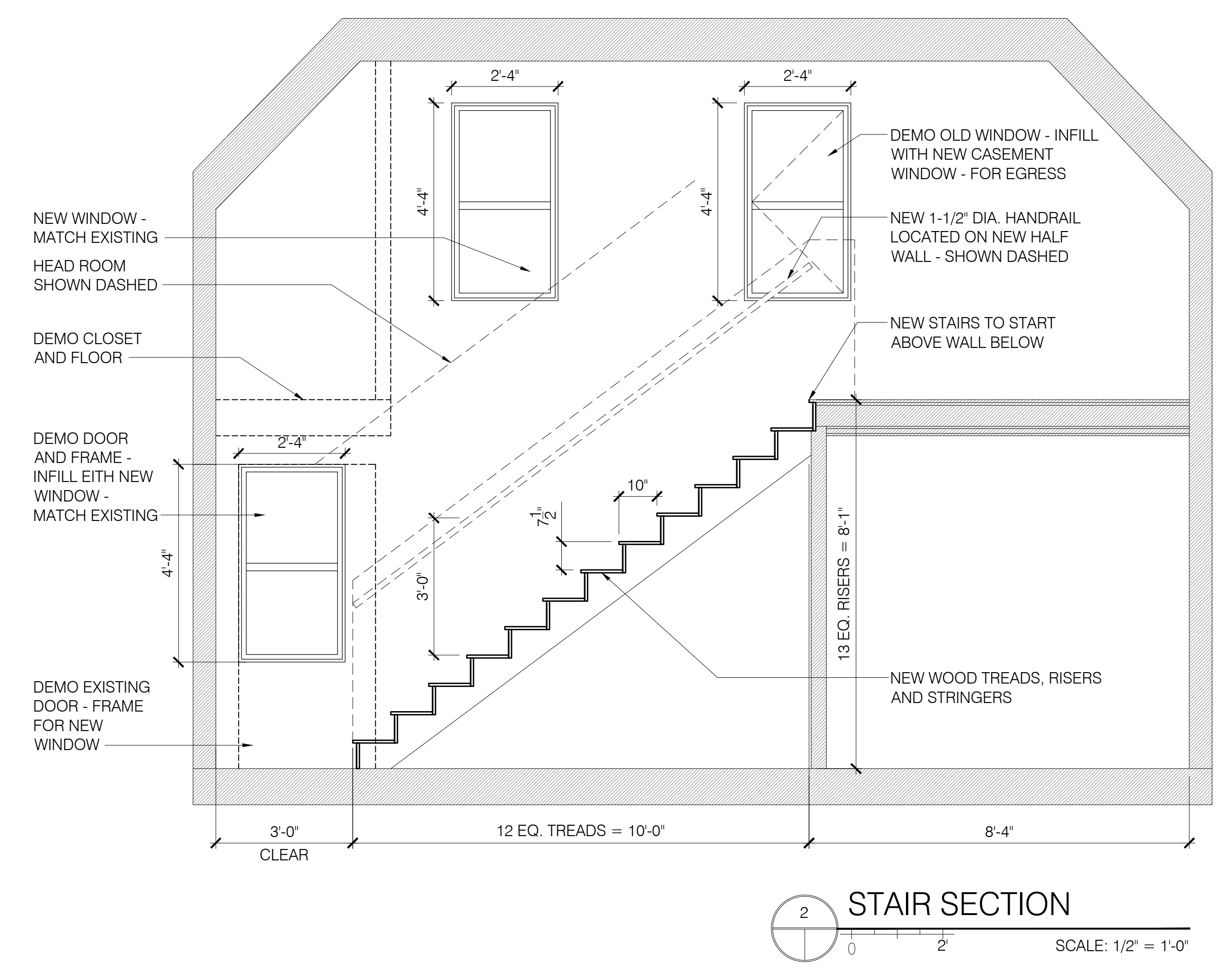
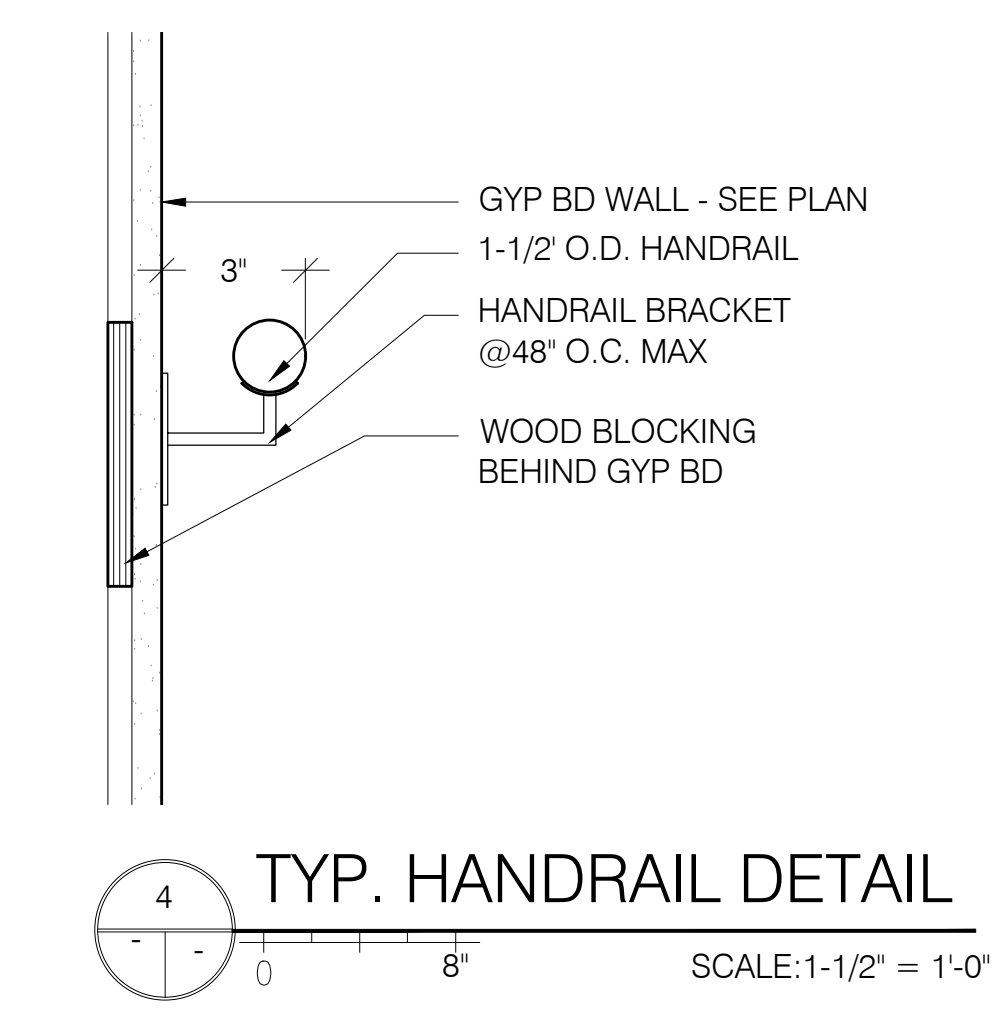
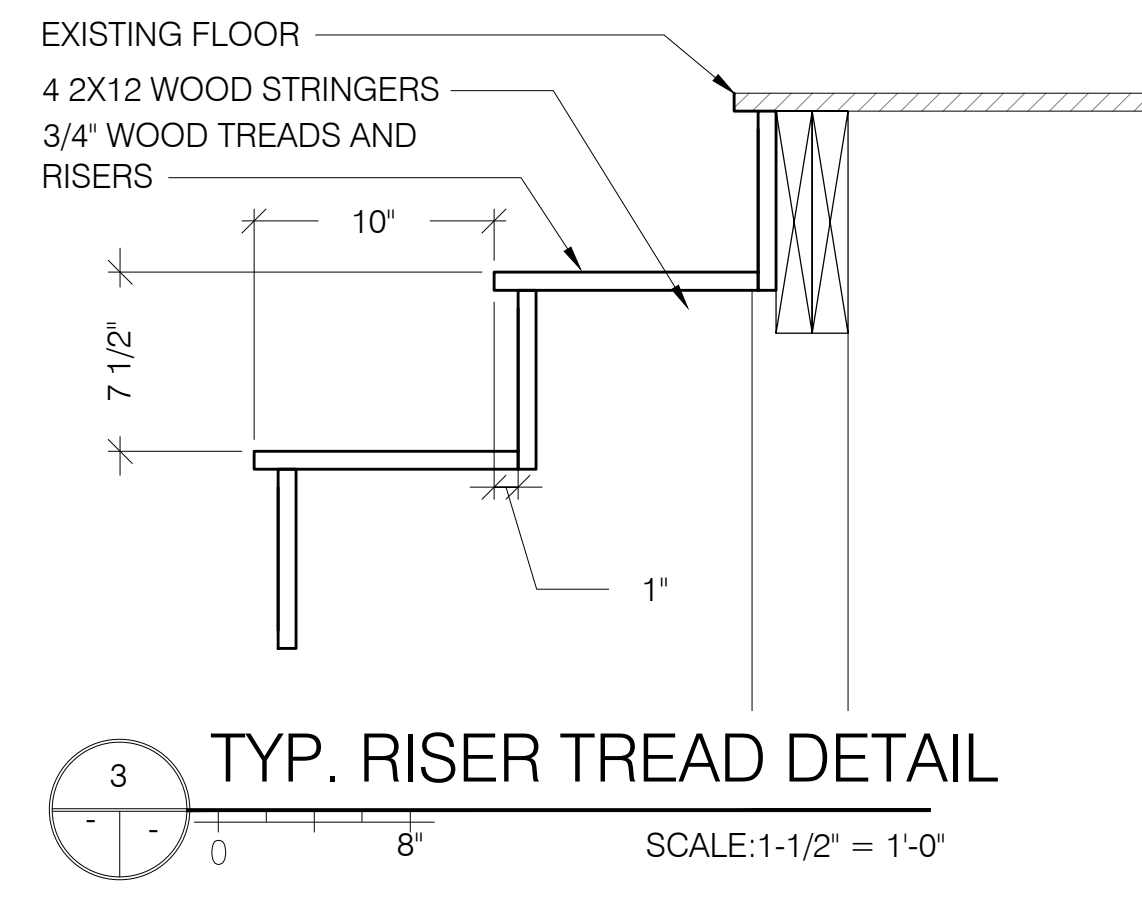
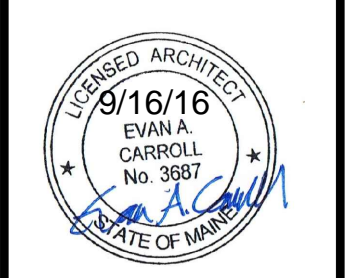


- GENERAL DOOR SCHEDULE NOTES:**
- ALL DOOR HANDLES TO BE ADA COMPLIANT LEVER HANDLES.
  - DOORS WITHIN UNITS TO MATCH EXISTING
- DOOR SCHEDULE NOTES:**
- 
- HARDWARE SETS:**
- UNIT ENTRY DOOR: PEEP HOLE, (3) HINGES, SOFT CLOSE DAMPER, STRIKE, DOOR STOP, SINGLE CYLINDER DEADBOLT, LOCKSET, THROW-BOLT, LATCH ASSEMBLY, LEVER
  - CLOSET DOOR: (3) HINGES, PASSAGE LOCKSET



**Bild Architecture**  
 PO Box 8235  
 Portland, ME  
 04104  
 207.408.0168  
 evan@bildarchitecture.com



PROJECT NO. 16024  
 PROJECT NAME 38 WASHINGTON APT REMODEL  
 PORTLAND, ME

ISSUE DATE 9/16/16  
 SHEET TITLE SECTIONS/DETAILS  
 NTS

PERMIT DOCUMENTS