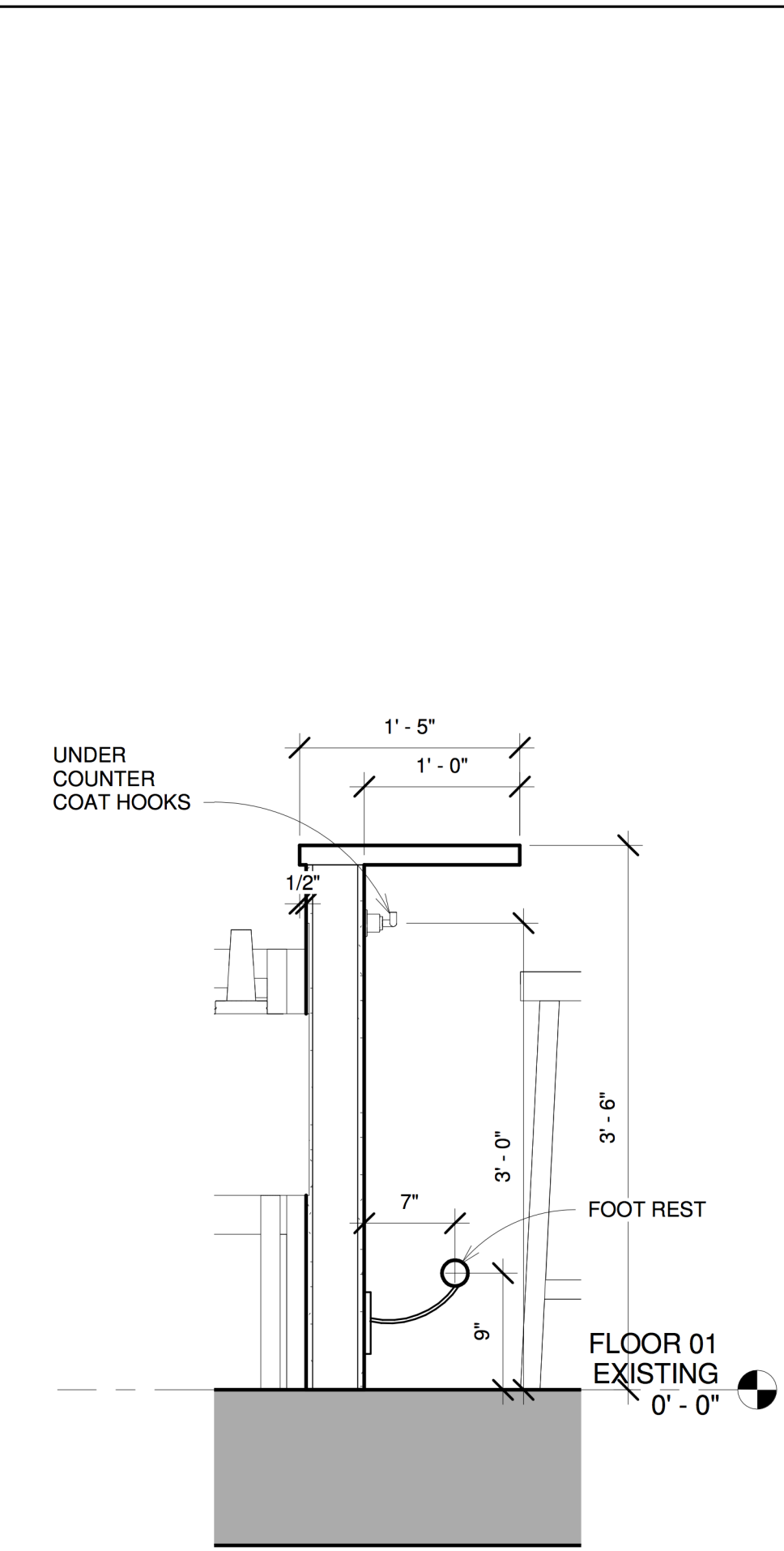
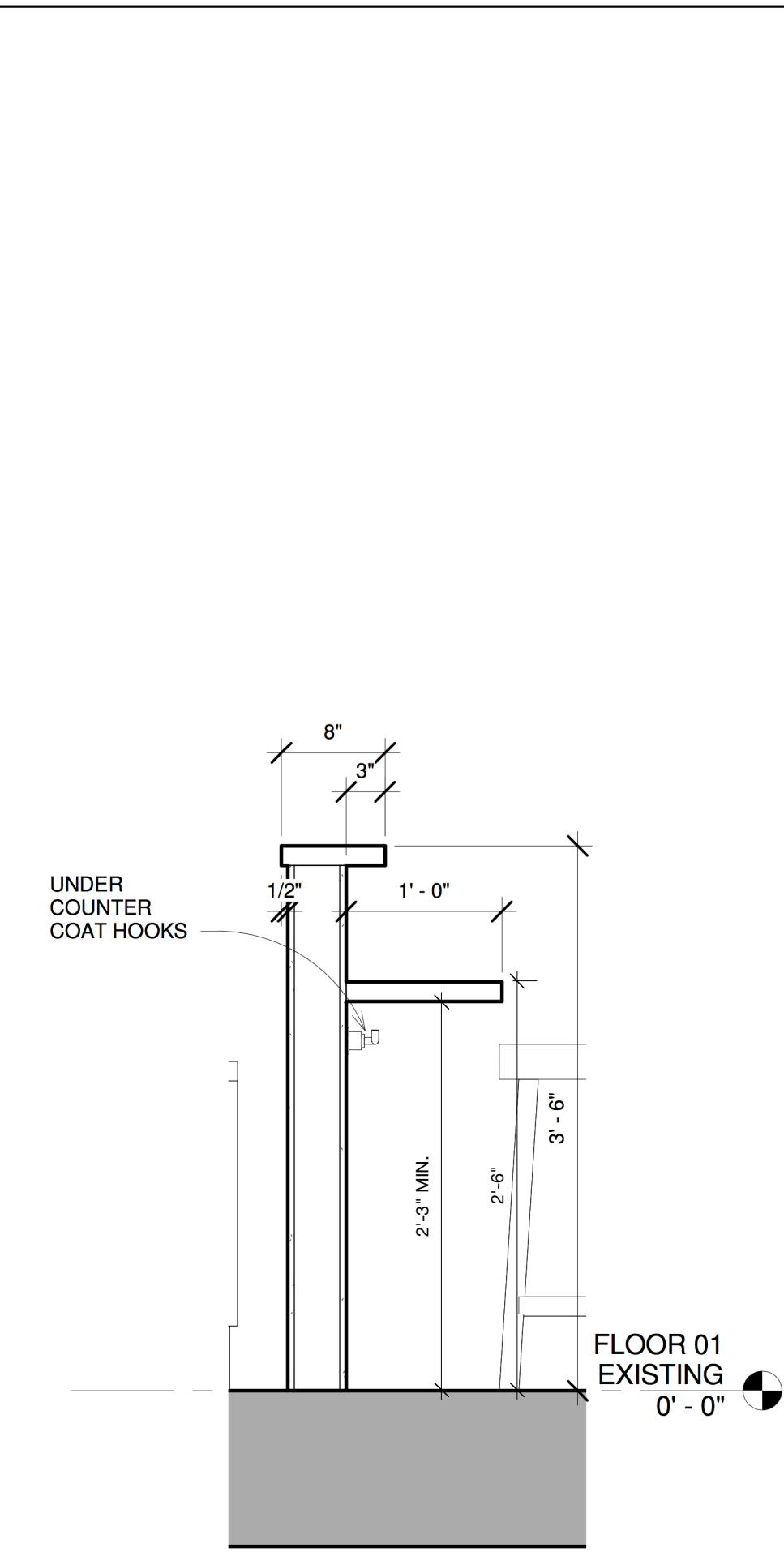


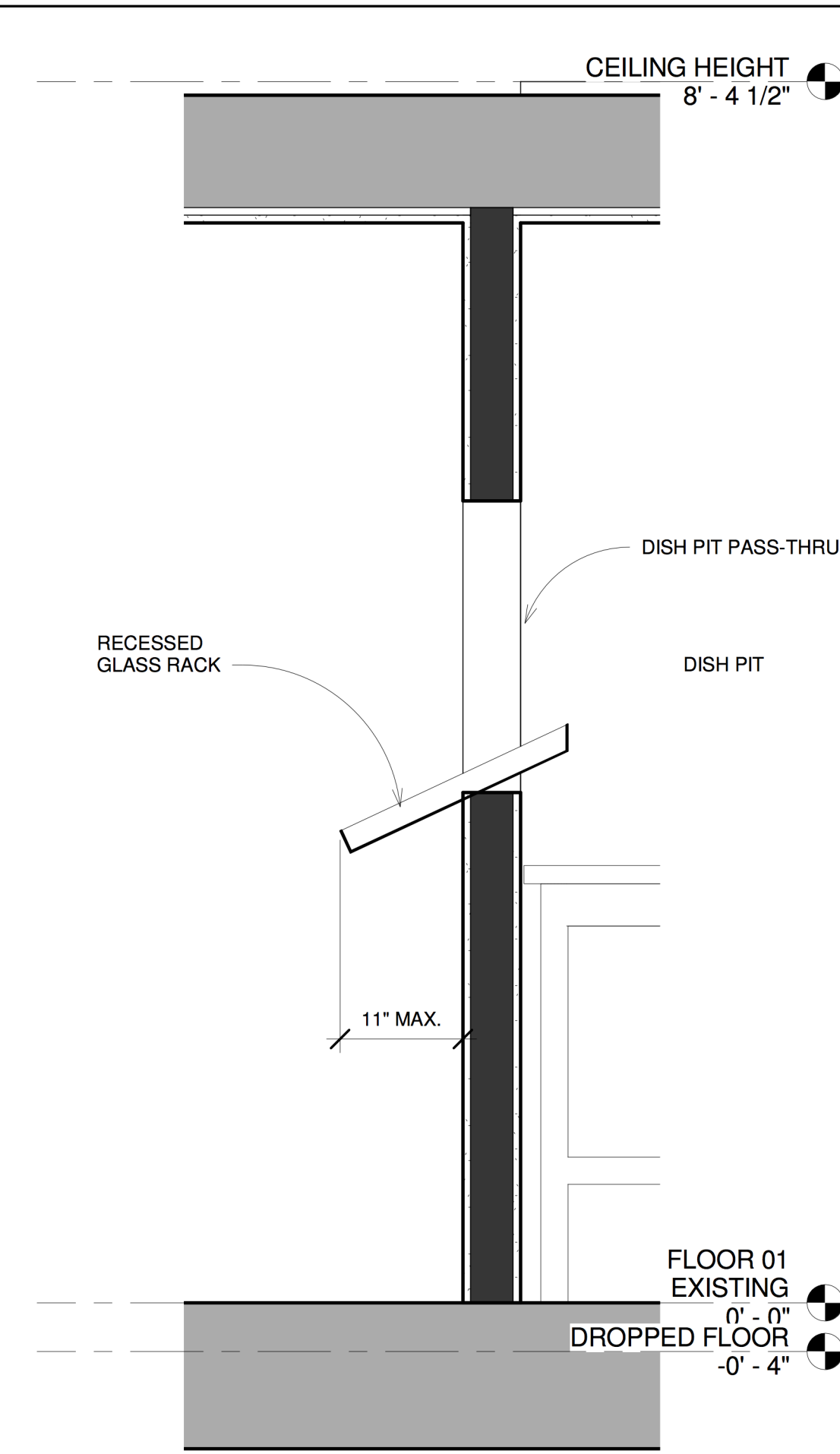
1 BAR TOP DETAIL AT KITCHEN DINING RETURN
1" = 1'-0"



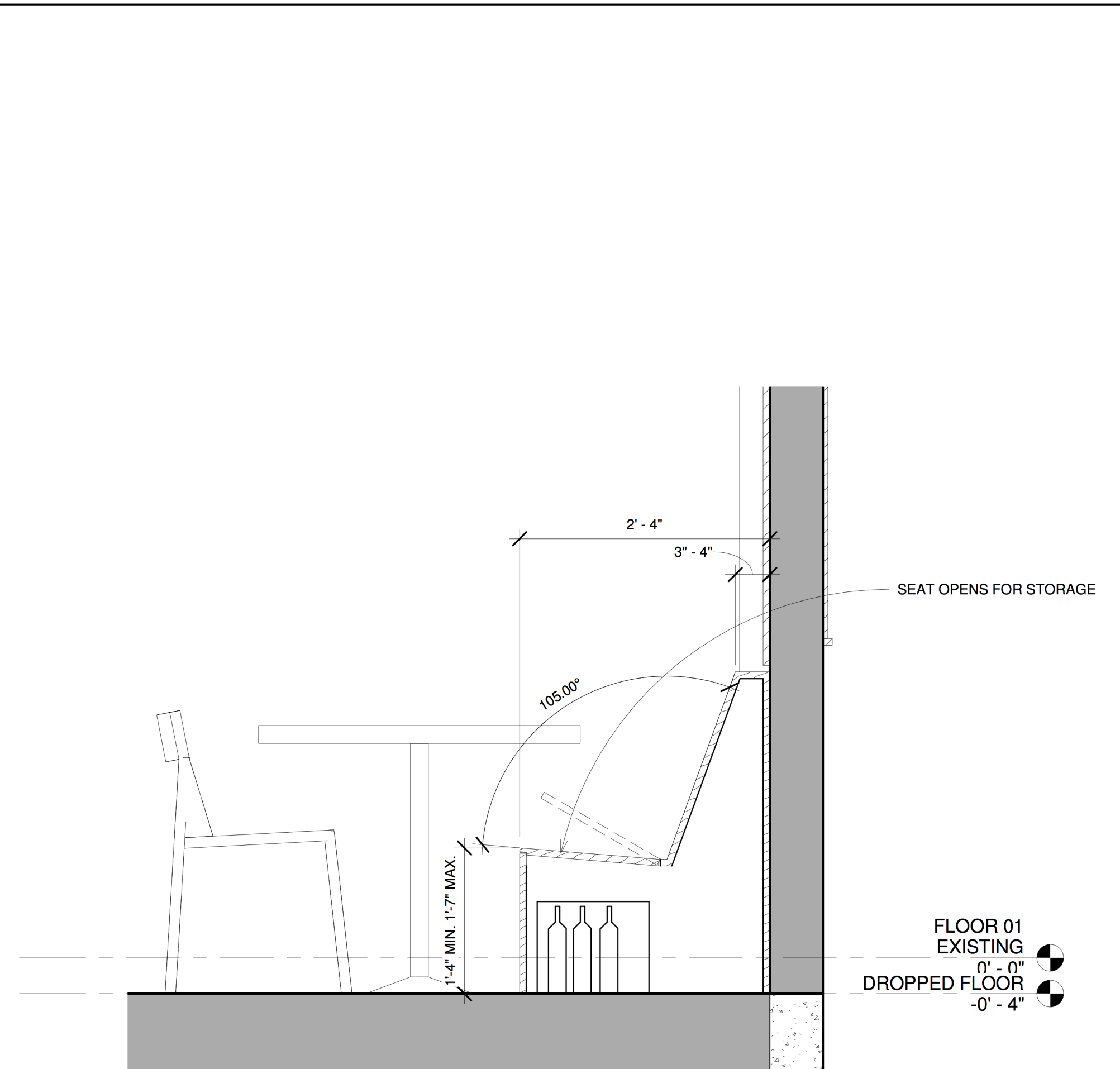
2 BAR TOP SEATING DETAIL
1" = 1'-0"



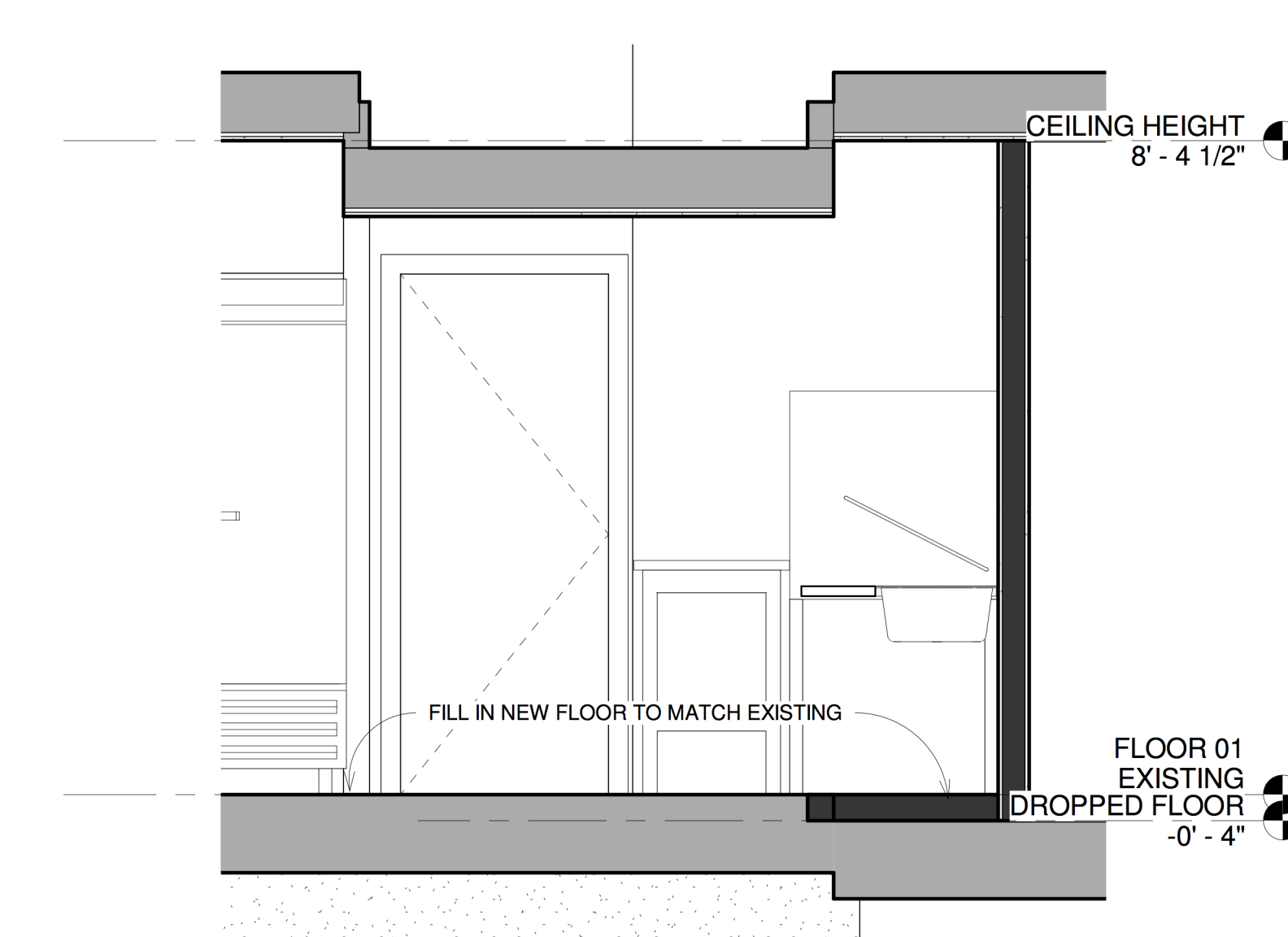
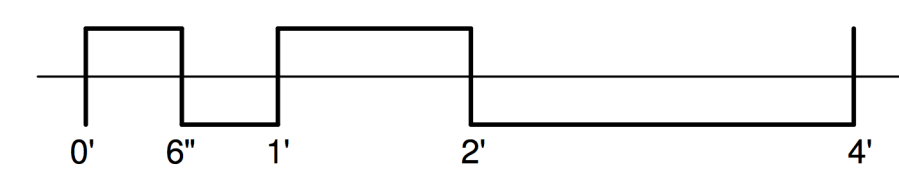
4 KITCHEN DINING BAR DETAIL
1" = 1'-0"



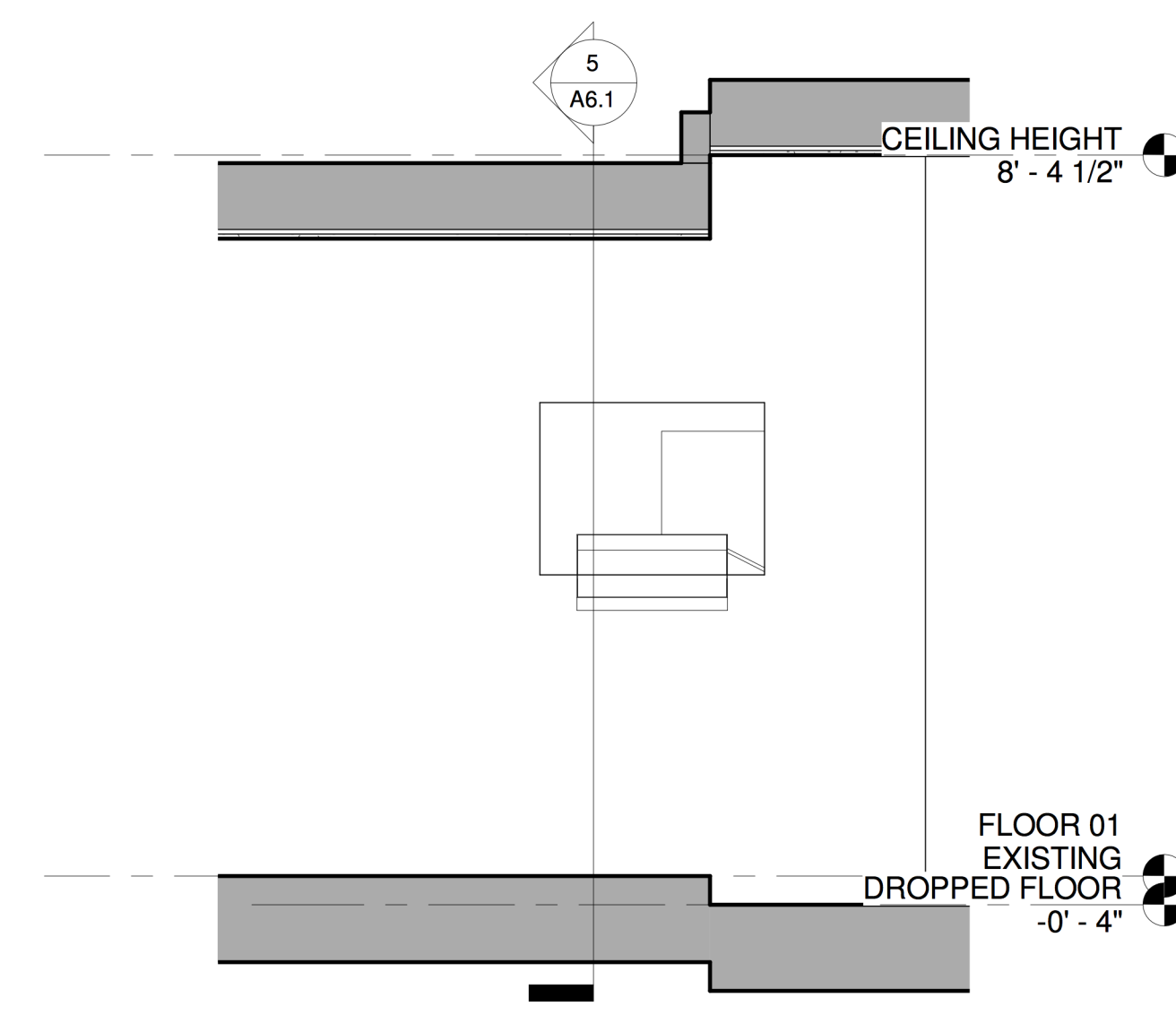
5 DISH PIT PASS-THRU DETAIL
1" = 1'-0"



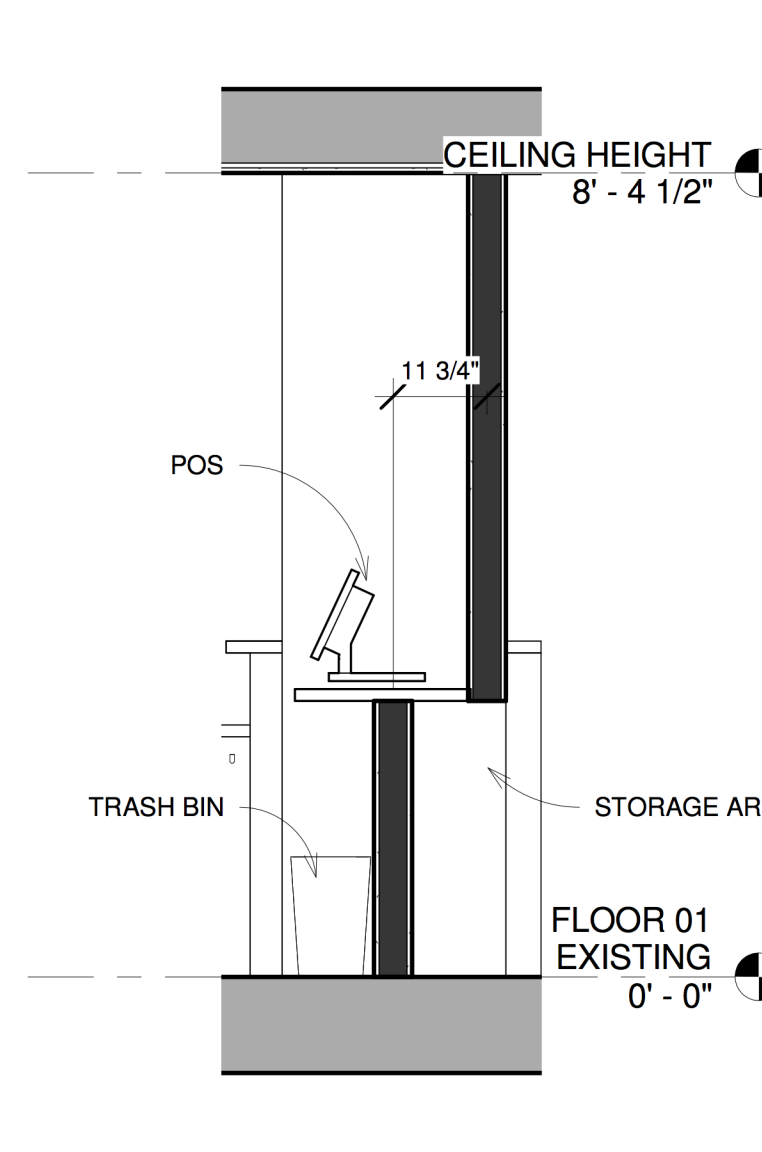
3 BENCH DETAIL
1" = 1'-0"



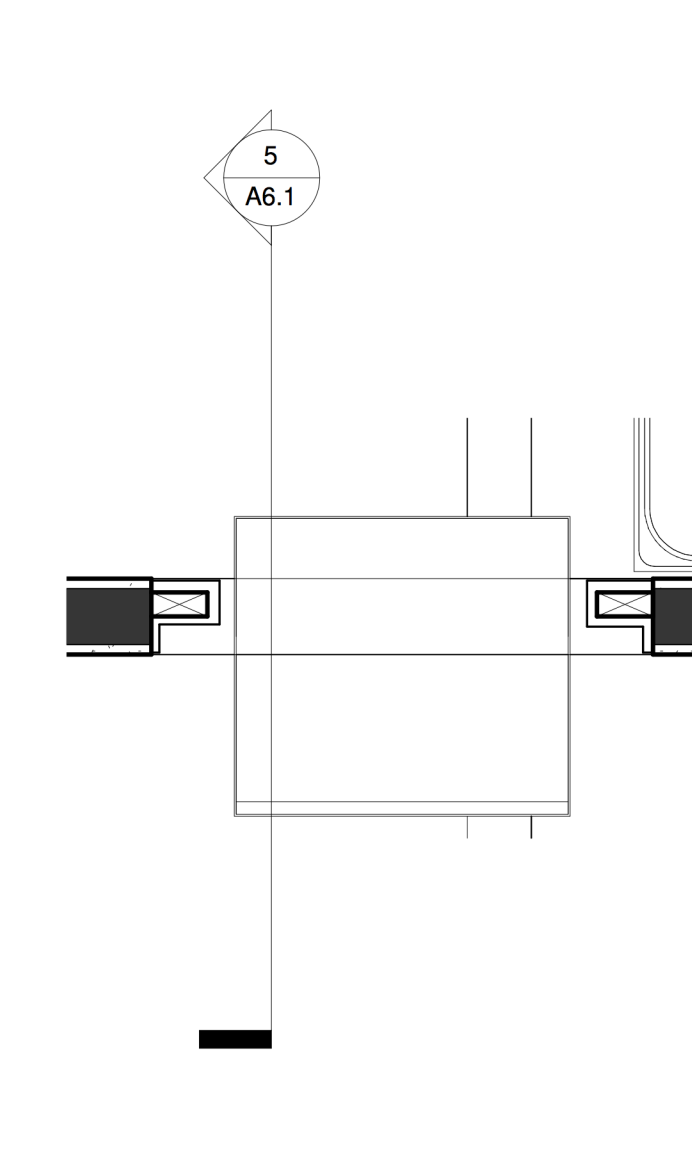
7 SECTION AT DISH PIT
1/2" = 1'-0"



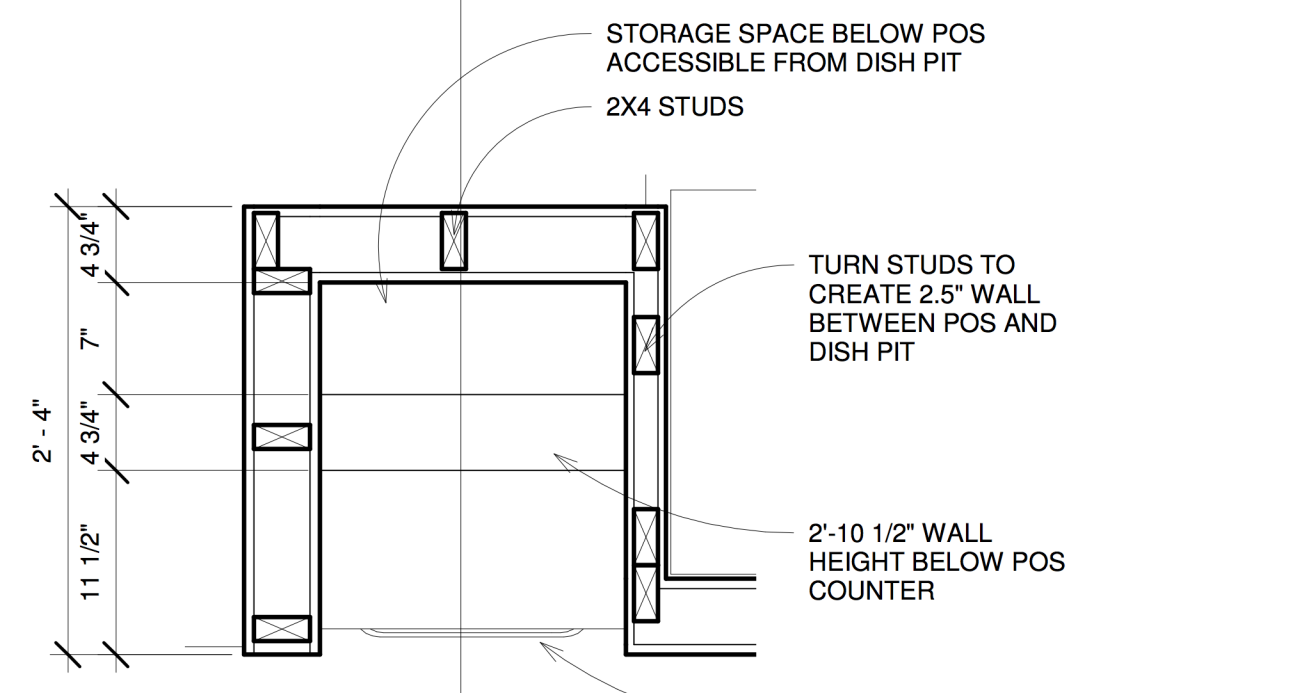
8 AT STEP DOWN
1/2" = 1'-0"



9 SECTION AT POS
1/2" = 1'-0"

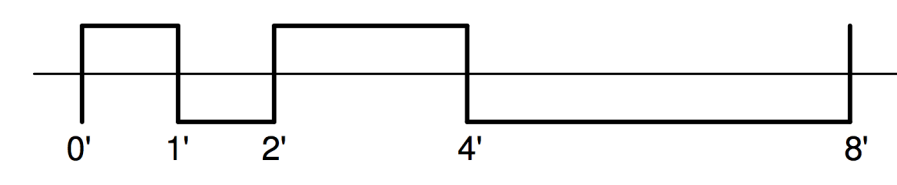
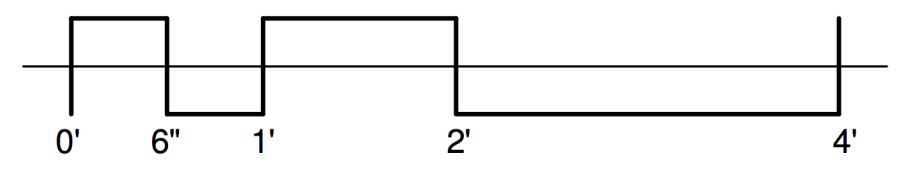


10 GLASS RACK DETAIL
1" = 1'-0"



6 POS PLAN DETAIL
1" = 1'-0"

AMENDMENT TO PERMIT #2015-01251



PERMIT SET

	Design Firm RESIDENTIAL DESIGN STUDIO, LLC Carol A. Morrissette 90 Woodford Street Portland, Maine 04103 T. 207.699.4184 C. 207.671.7965	Project Title IZAKAYA MINATO 56 Washington Ave, Portland, Maine 04102	Sheet Status PERMIT SET Project Number 16.20 Date 07/13/16
	Resiliens 1, 2, 3	Sheet Title INTERIOR DETAILS	Sheet No. A6.1