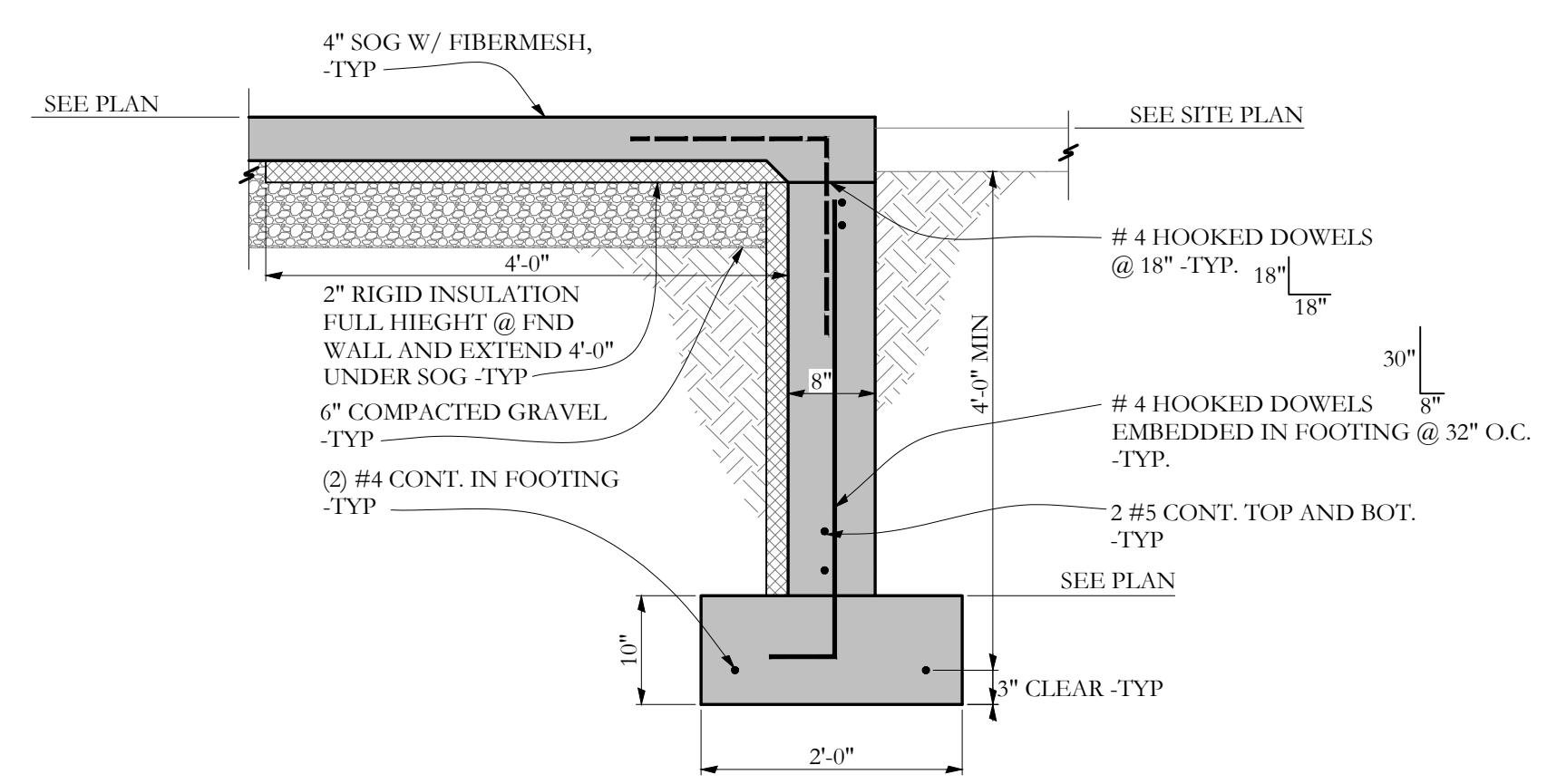
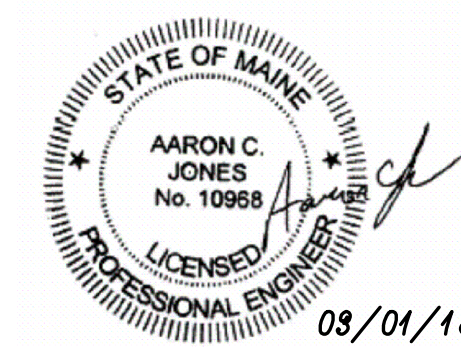


Rachel Conly Design LLC
26 Sterling Street
Peaks Island, Maine 04108
207.766.5625
www.rachelconlydesign.com

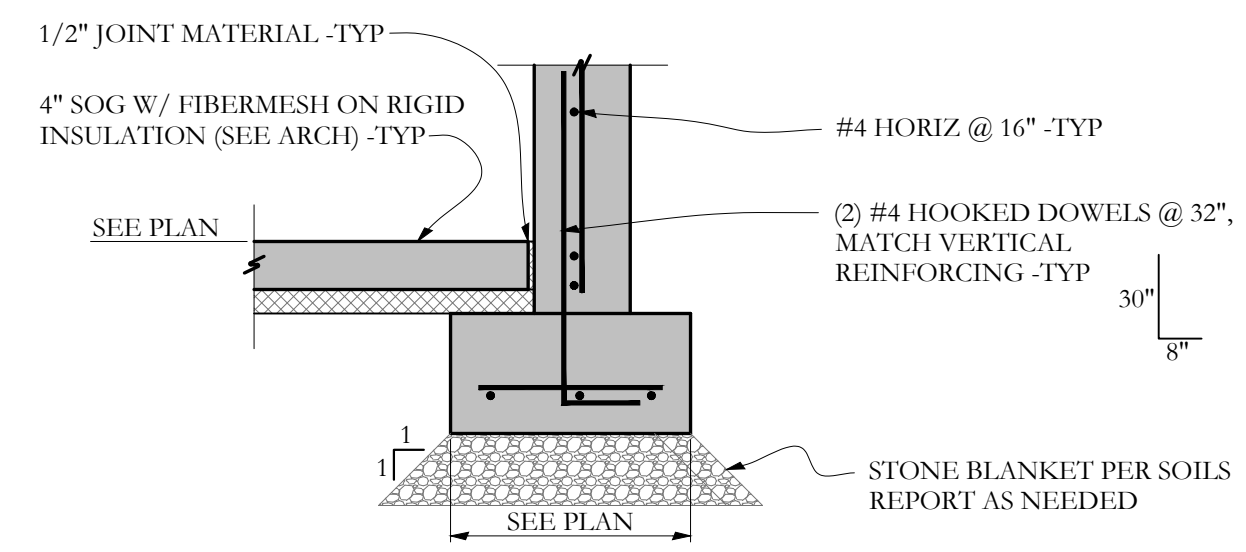
DATE	NOTES
2017.03.01	ISSUED FOR PERMIT

Renovations to
123 Cumberland Ave.
Portland, ME

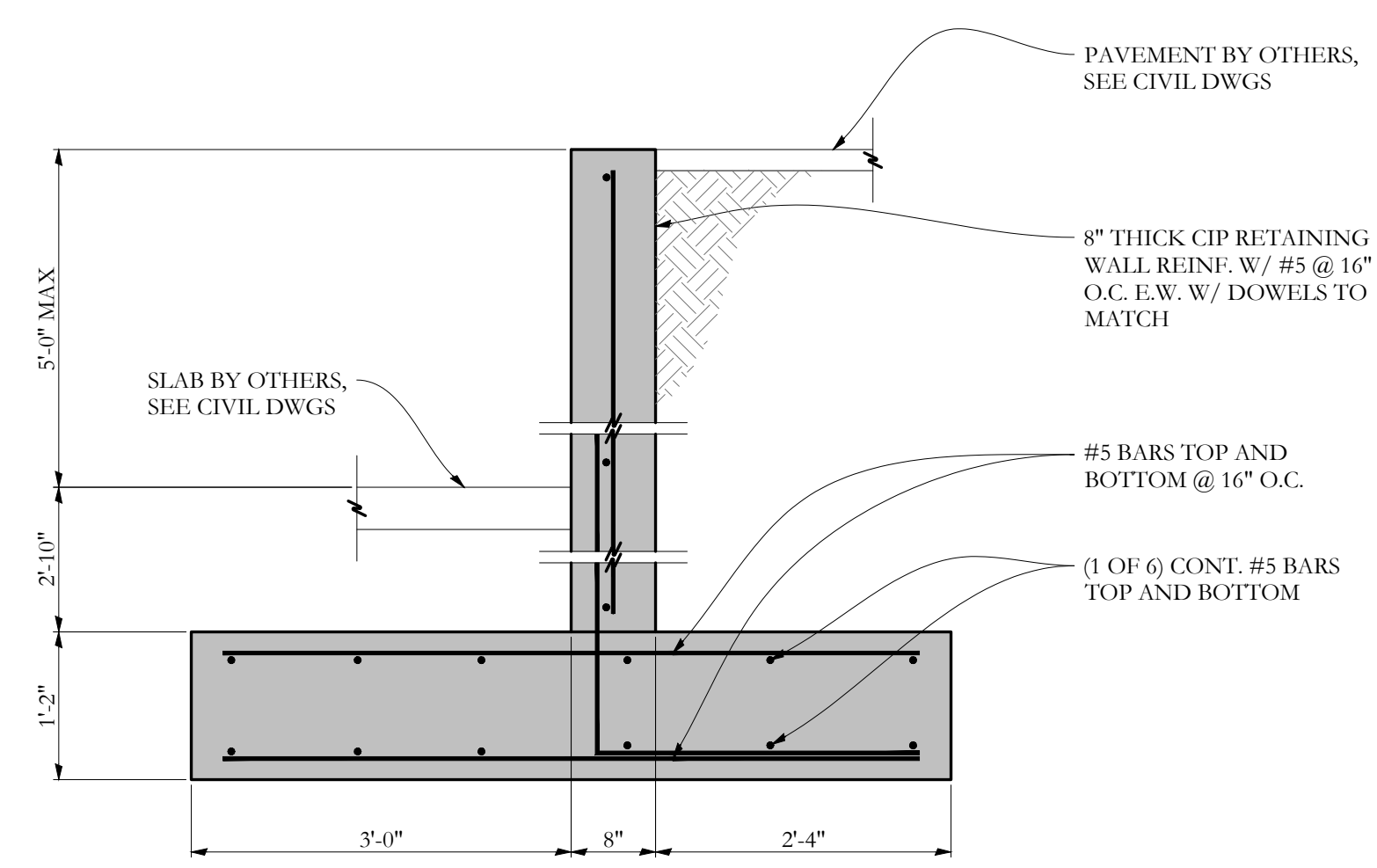
SECTIONS
S2.1



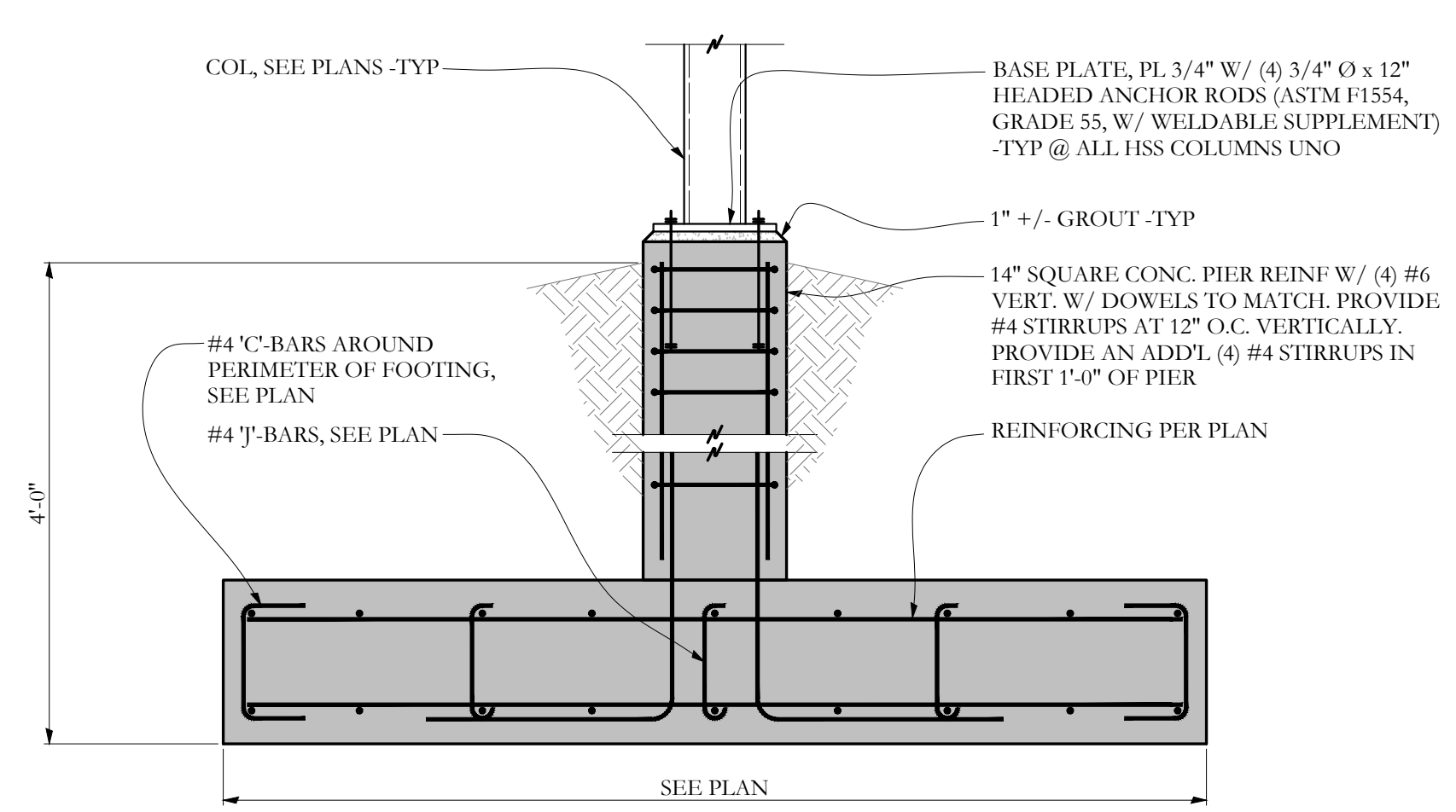
SECTION $\frac{C}{S-2.1}$ 3/4"=1'-0



SECTION $\frac{D}{S-2.1}$ 3/4"=1'-0



SECTION $\frac{A}{S-2.1}$ 3/4"=1'-0



SECTION $\frac{B}{S-2.1}$ 3/4"=1'-0