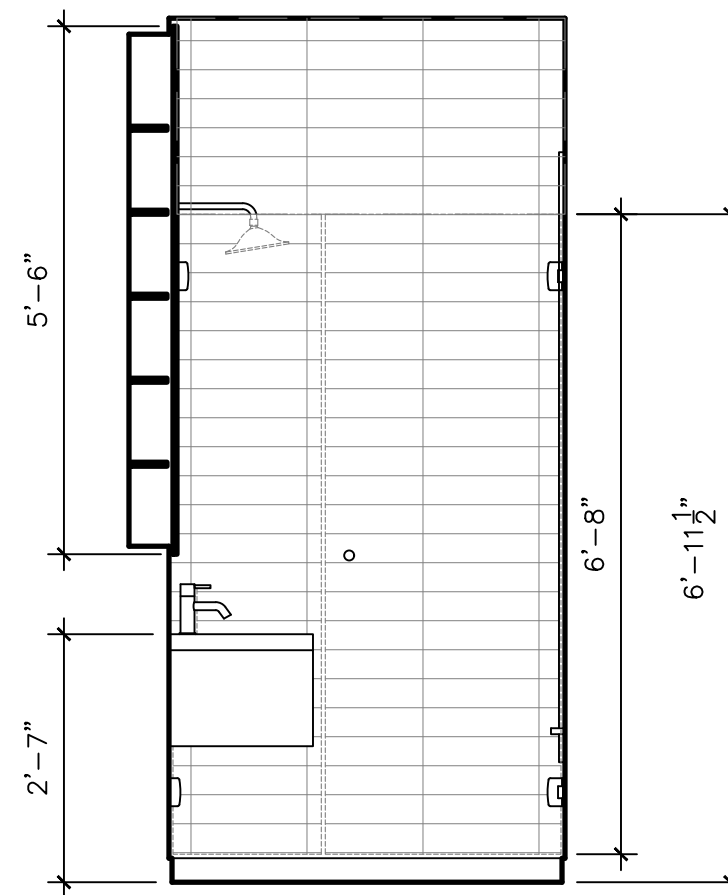
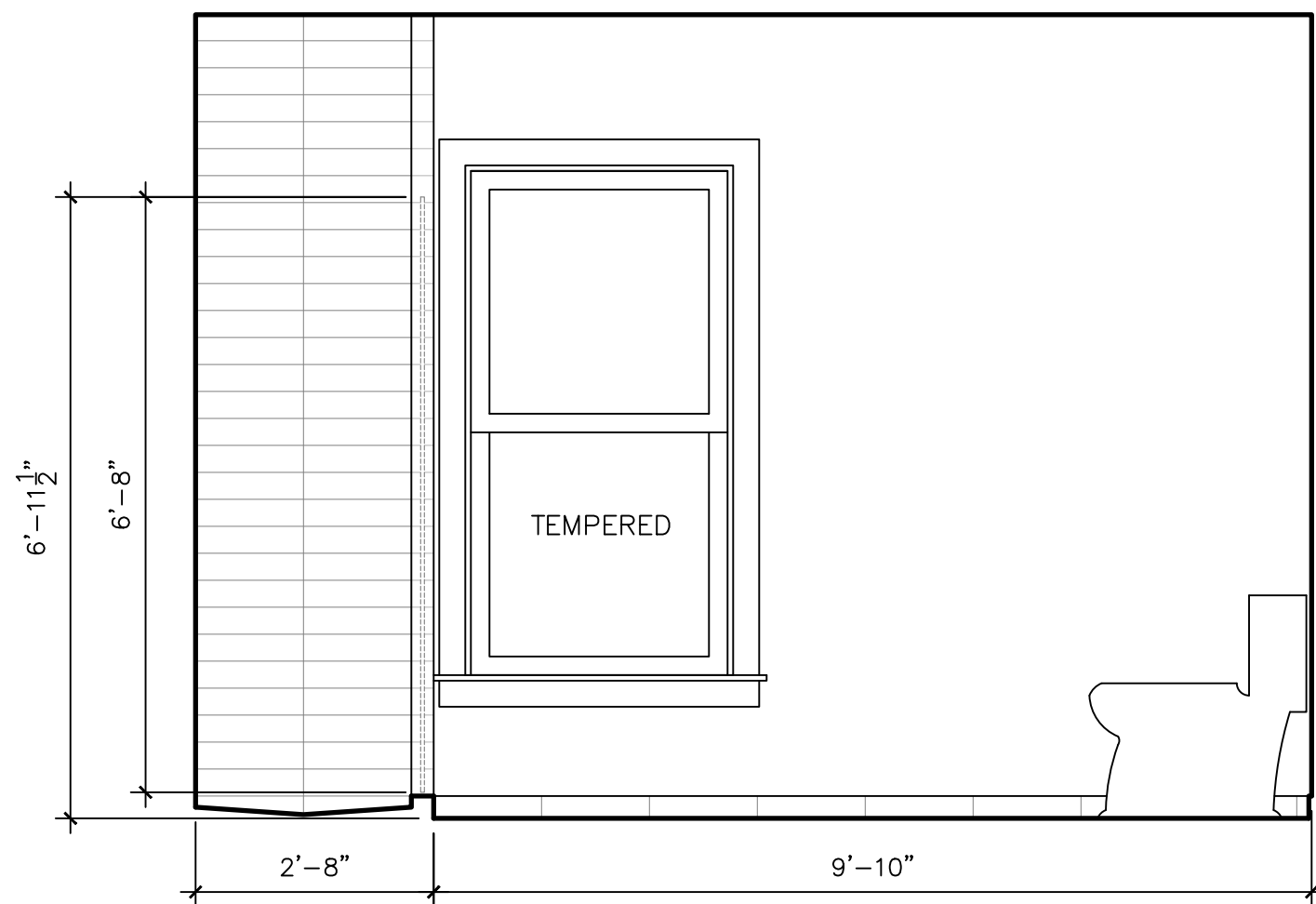


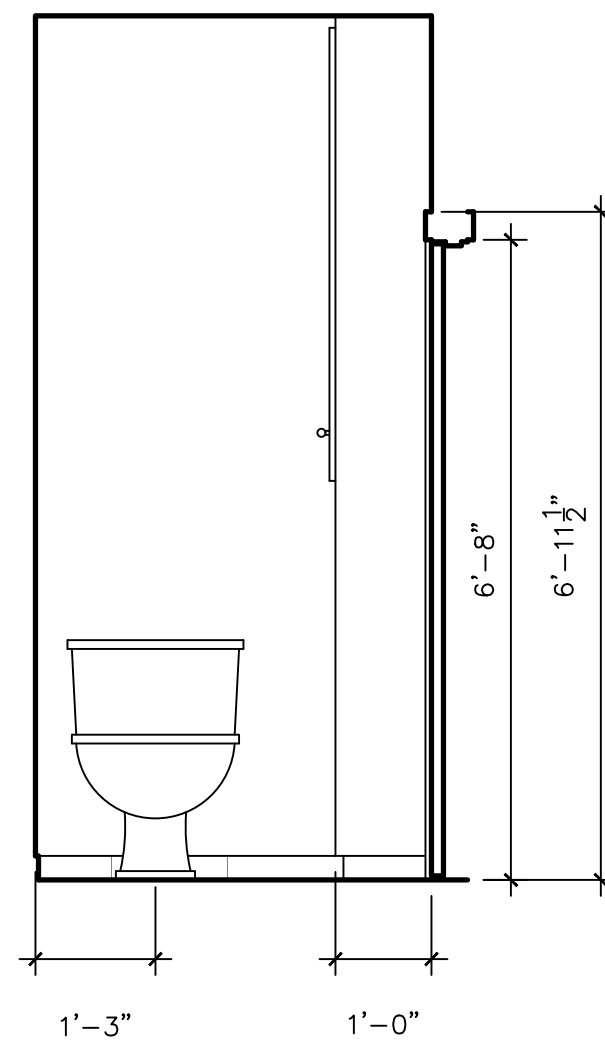
4 ELEVATION NORTH  
1/2"=1'-0"



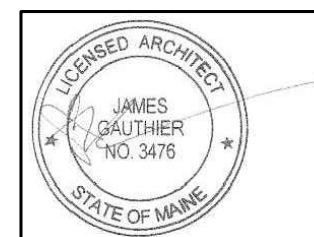
2 ELEVATION EAST  
1/2"=1'-0"



3 ELEVATION SOUTH  
1/2"=1'-0"



1 ELEVATION WEST  
1/2"=1'-0"



Rachel Conly Design LLC  
26 Sterling Street  
Peaks Island, Maine 04108  
207.766.5625  
www.rachelconlydesign.com

DATE	NOTES
2018.03.01	Issued for Permit
REVISED	

PROJECT  
Renovations to  
123 Cumberland Ave.  
Portland, ME 04101  
Phase I

INTERIOR  
ELEVATIONS  
GUEST BATH

A4.4