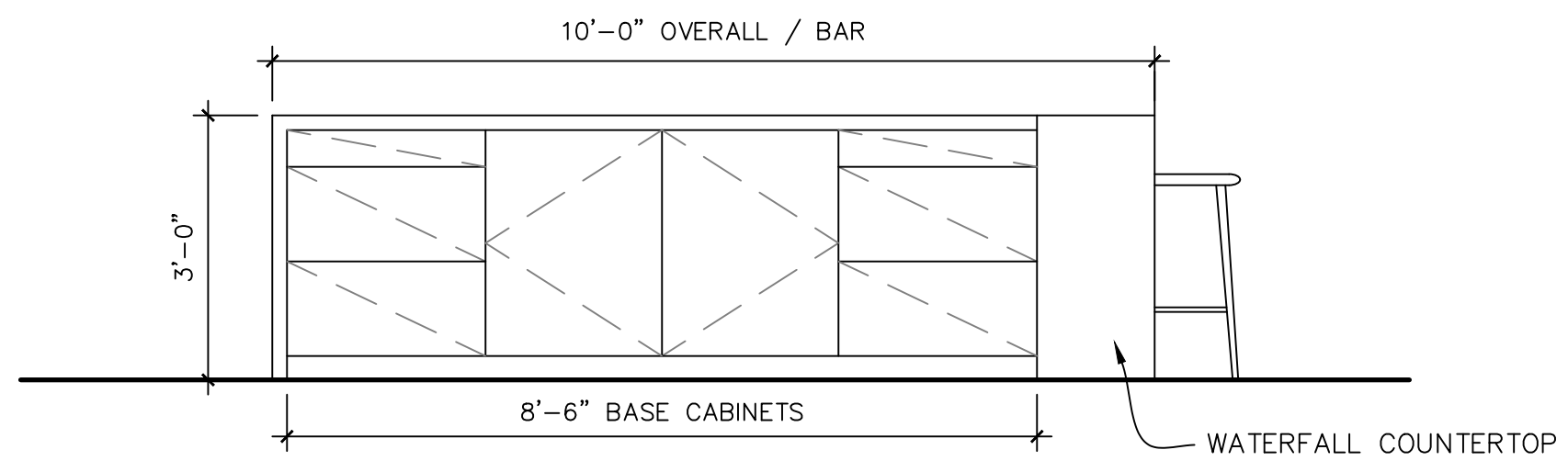
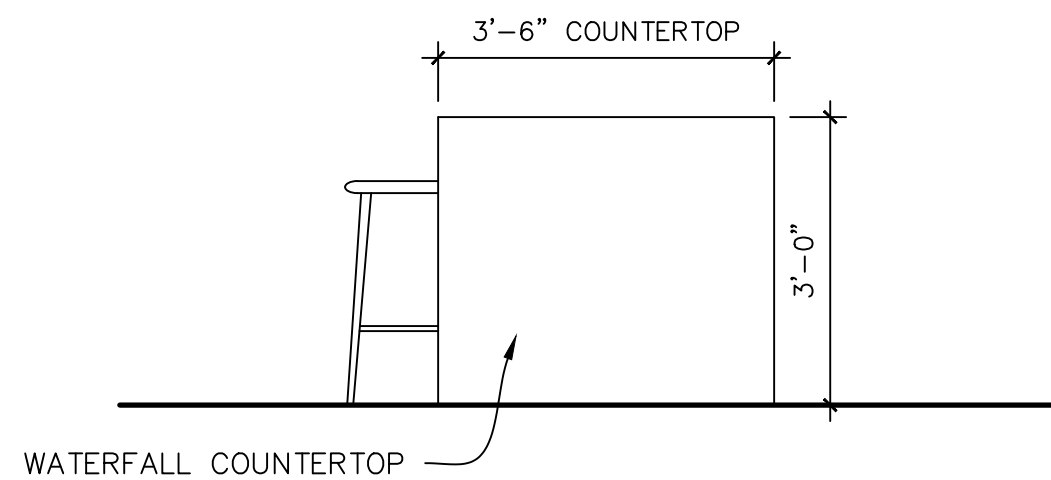


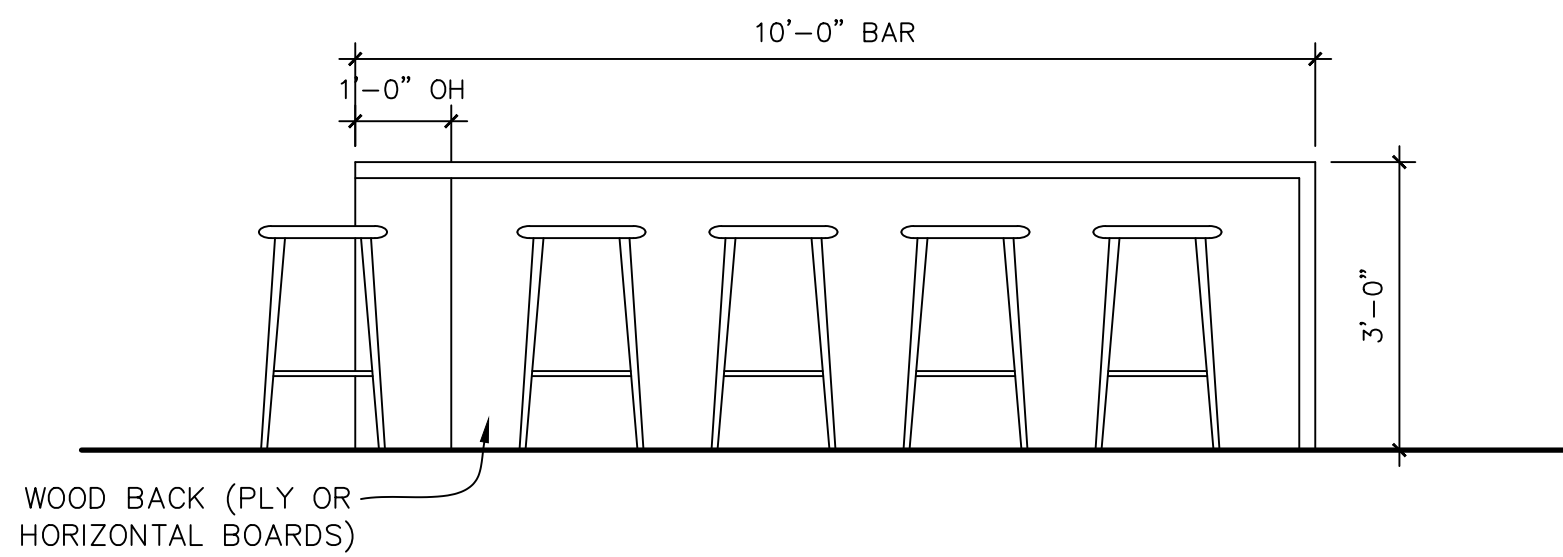
5 ISLAND ELEVATION NORTH  
1/2"=1'-0"



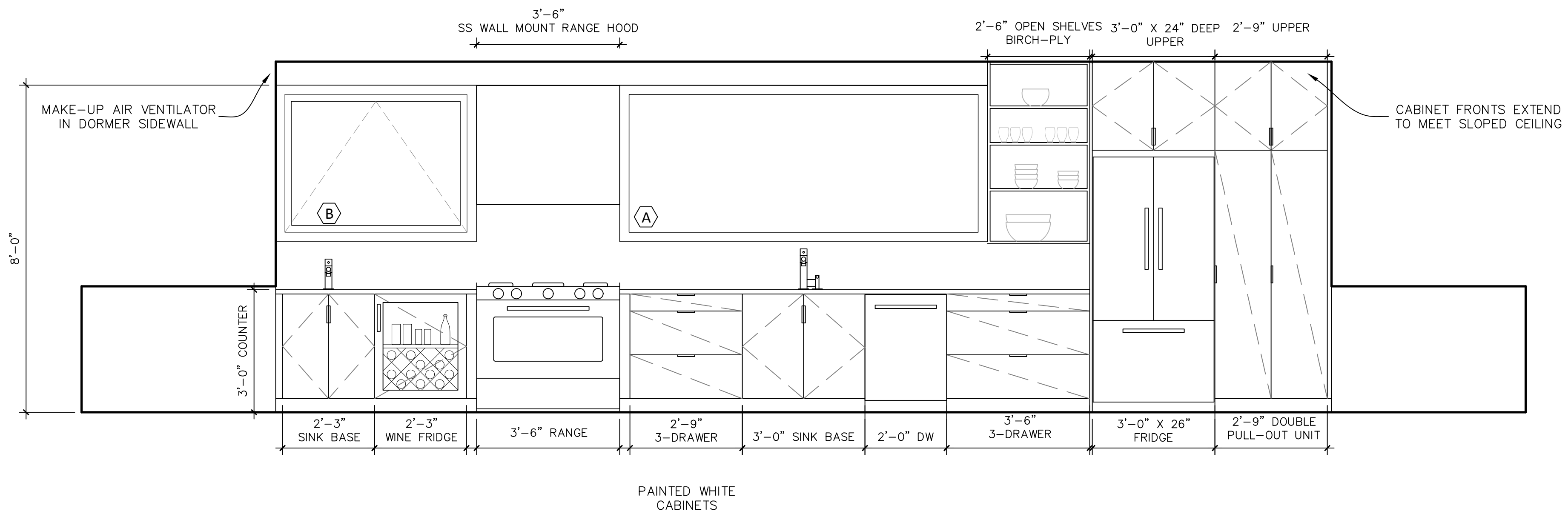
3 ISLAND ELEVATION EAST  
1/2"=1'-0"



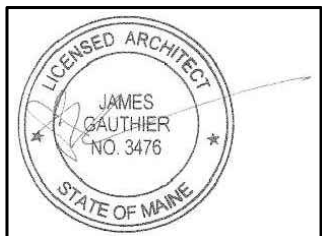
4 ISLAND ELEVATION SOUTH  
1/2"=1'-0"



2 ISLAND ELEVATION WEST  
1/2"=1'-0"



1 KITCHEN ELEVATION WEST  
1/2"=1'-0"



Rachel Conly Design LLC  
26 Sterling Street  
Peaks Island, Maine 04108  
207.766.5625  
www.rachelconlydesign.com

DATE	NOTES
2018.03.01	Issued for Permit
REVISED	

PROJECT  
**Renovations to  
123 Cumberland Ave.  
Portland, ME 04101  
Phase I**

INTERIOR  
ELEVATIONS  
KITCHEN

**A4.1**