

Rachel Conly Design LLC  
 26 Sterling Street  
 Peaks Island, Maine 04108  
 207.766.5625  
 www.rachelconlydesign.com

DATE	NOTES
2018.03.01	Issued for Permit
REVISED	

PROJECT  
 Renovations to  
 123 Cumberland Ave.  
 Portland, ME 04101  
 Phase I

WINDOW  
 SCHEDULE

A2.5

NEW WINDOWS:  
 -JELD-WEN "SITELINE" ALUMINUM-CLAD WOOD CASEMENT, AWNING, & DIRECT SET UNITS.  
 -INTEGRAL NAILING FIN.  
 -BLACK EXTERIOR, PRIMED INTERIOR FINISH.  
 -TRIPLE-GLAZED DUAL LOW-E 180 ARGON FILLED.  
 -w/ SCREENS & WHITE OPERATING HARDWARE.

REPLACEMENT WINDOWS:  
 -JELD-WEN CUSTOM ALUMINUM-CLAD WOOD DOUBLE-HUNG REPLACEMENT UNITS w/ INSTALLATION ACCESSORIES.  
 -BLACK EXTERIOR, PRIMED INTERIOR FINISH.  
 -LOW-E INSULATED ARGON GLAZING.  
 -TRADITIONAL 2 OVER 2 VERTICAL LITE PATTERN.  
 -SCREENS & WHITE HARDWARE.

SLIDING PATIO DOOR:  
 -LaCANTINA "CONTEMPORARY CLAD" NARROW-STILE 3 PANEL UNIT.  
 -10'-0" x 8'-0"  
 -VG DOUGLAS FIR, FLUSH SILL, WHITE HARDWARE & SCREEN.  
 -BLACK EXTERIOR CLADDING.  
 -LOW-E INSULATED ARGON FILLED TEMPERED GLAZING.

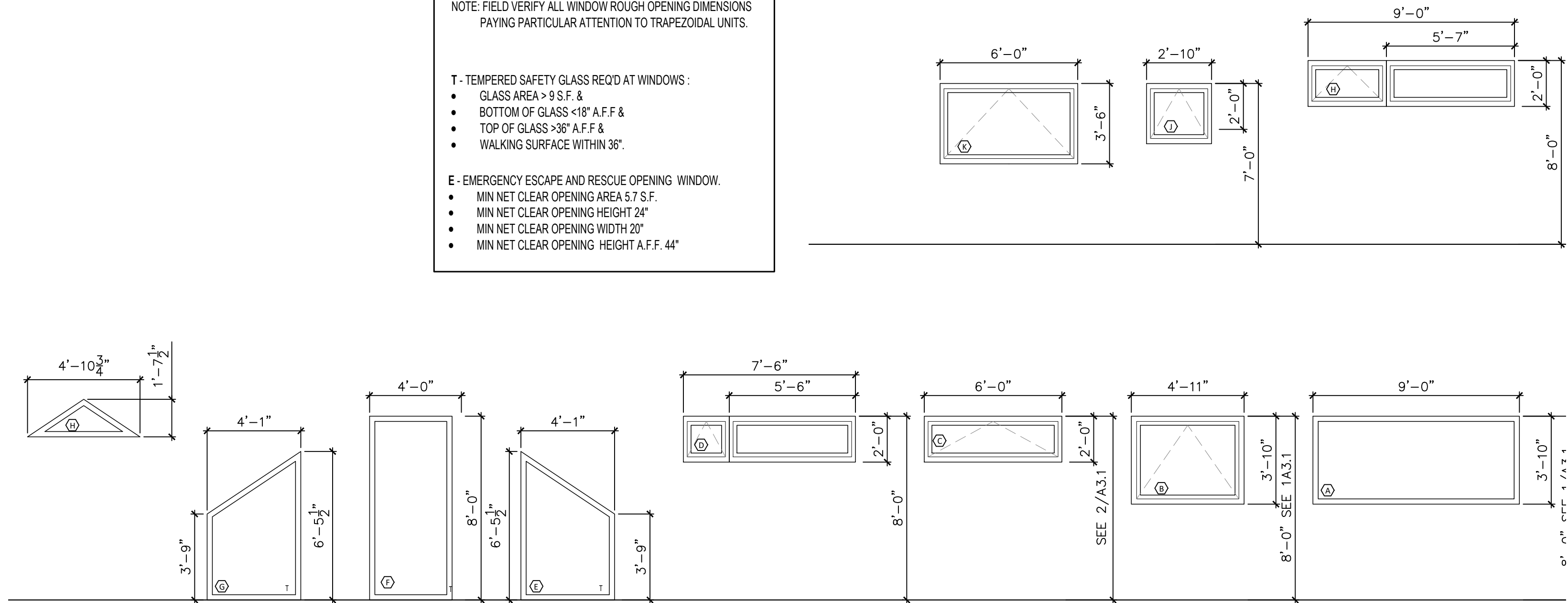
SWINGING PATIO DOOR:  
 -JELD-WEN "SITELINE" INSWING ALUMINUM CLAD TWO PANEL UNIT.  
 -6'-0" x 6'-8", SINGLE ACTIVE LEAF  
 -BLACK EXTERIOR, PRIMED INTERIOR FINISH.  
 -TRIPLE GLAZED DUAL LOW-E 180 TEMPERED ARGON FILLED.  
 -SCREEN @ WHITE OPERATING HARDWARE.

2 WINDOW & PATIO DOOR SPECS  
 NO SCALE

NOTE: FIELD VERIFY ALL WINDOW ROUGH OPENING DIMENSIONS PAYING PARTICULAR ATTENTION TO TRAPEZOIDAL UNITS.

- T - TEMPERED SAFETY GLASS REQ'D AT WINDOWS :
- GLASS AREA > 9 S.F. &
  - BOTTOM OF GLASS <18" A.F.F. &
  - TOP OF GLASS >36" A.F.F. &
  - WALKING SURFACE WITHIN 36".

- E - EMERGENCY ESCAPE AND RESCUE OPENING WINDOW.
- MIN NET CLEAR OPENING AREA 5.7 S.F.
  - MIN NET CLEAR OPENING HEIGHT 24"
  - MIN NET CLEAR OPENING WIDTH 20"
  - MIN NET CLEAR OPENING HEIGHT A.F.F. 44"



1 WINDOW SCHEDULE  
 1/4" = 1'-0"