

City of Portland, Maine - Building or Use Permit Application

389 Congress Street, 04101 Tel: (207) 874-8703, Fax: (207) 874-8716

Permit No: 06-0482	Issue Date: PERMIT ISSUED AUG - 7 2006	CBL: C005001
-----------------------	---	-----------------

Location of Construction: 78 WASHINGTON AVE	Owner Name: SHERWOOD PROPERTIES LLC	Owner Address: PO BOX 11182	Phone: [Blank]
Business Name:	Contractor Name: Haleys Metal Shop	Contractor Address: 539 Elm Street Biddeford	Phone: 2072848571
Lessee/Buyer's Name	Phone:	Permit Type: Hood Systems, Commerical	Zone: B2b

Past Use: Commercial space/ Jewelry Shop legal use:	Proposed Use: Jewelry Shop/ install vent system for fumes from shop 1 retail 6 dwelling units	Permit Fee: \$39.00	Cost of Work: \$1,187.00	CEO District: 1
Proposed Project Description: Jewelry Shop/ install vent system for fumes from shop		FIRE DEPT: <input checked="" type="checkbox"/> Approved <input type="checkbox"/> Denied INSPECTION: Use Group: <i>M</i> Type: <i>50</i> <i>VENTILATION</i> <i>7/3/06</i> Signature: <i>Greg Cass</i> Signature: <i>[Signature]</i>		
		PEDESTRIAN ACTIVITIES DISTRICT (P.A.D.) Action: <input type="checkbox"/> Approved <input type="checkbox"/> Approved w/Conditions <input type="checkbox"/> Denied Signature: _____ Date: _____		

Permit Taken By: Idobson	Date Applied For: 04/05/2006	Zoning Approval		
-----------------------------	---------------------------------	------------------------	--	--

1. 2. Building permits do not include plumbing, septic or electrical work. 3. Building permits are void if work is not started within six (6) months of the date of issuance. False information may invalidate a building permit and stop all work..	Special Zone or Reviews <input type="checkbox"/> Shoreland <input type="checkbox"/> Wetland <input type="checkbox"/> Flood Zone <input type="checkbox"/> Subdivision <input type="checkbox"/> Site Plan Maj <input type="checkbox"/> Minor <input type="checkbox"/> MM <input type="checkbox"/> <i>W/ conditions</i> Date: <i>4/20/06</i> <i>ABN</i>	Zoning Appeal <input type="checkbox"/> Variance <input type="checkbox"/> Miscellaneous <input type="checkbox"/> Conditional Use <input type="checkbox"/> Interpretation <input type="checkbox"/> Approved <input type="checkbox"/> Denied Date: _____	Historic Preservation <input checked="" type="checkbox"/> Not in District or Landmark <input type="checkbox"/> Does Not Require Review <input type="checkbox"/> Requires Review <input type="checkbox"/> Approved <input type="checkbox"/> Approved w/Conditions Denied <i>ABN</i> Date: _____
--	--	--	--

CERTIFICATION

I hereby certify that I am the owner of record of the named property, or that the proposed work is authorized by the owner of record and that I have been authorized by the owner to make this application as his authorized agent and I agree to conform to all applicable laws of this jurisdiction. In addition, if a permit for work described in the application is issued, I certify that the code official's authorized representative shall have the authority to enter all areas covered by such permit at any reasonable hour to enforce the provision of the code(s) applicable to such permit.

SIGNATURE OF APPLICANT	ADDRESS	DATE	PHONE
RESPONSIBLE PERSON IN CHARGE OF WORK, TITLE		DATE	PHONE

DISPLAY THIS CARD ON PRINCIPAL FRONTAGE OF WORK

CITY OF PORTLAND

Please Read Application And Notes, If Any, Attached

BUILDING INSPECTION

PERMIT

PERMIT ISSUED

Permit Number: 060482
AUG - 7 2006

CITY OF PORTLAND

This is to certify that SHERWOOD PROPERTIES LLC /Haleys Metal Shop

has permission to Jewelry Shop/ install vent system for furnace from shop

AT 78 WASHINGTON AVE

013 C005001

provided that the person or persons who accept this permit shall comply with all of the provisions of the Statutes of the State and of the Ordinances of the City of Portland regulating the construction, maintenance and use of buildings and structures, and of the application on file in this department.

Apply to Public Works for street line and grade if nature of work requires such information.

Notification of inspection must be given and when permission procured before this building or part thereof is leased or closed-in. 4 HOUR NOTICE IS REQUIRED.

A certificate of occupancy must be procured by owner before this building or part thereof is occupied.

OTHER REQUIRED APPROVALS

Fire Dept. Greg Cass 4-20-06

Health Dept. _____

Appeal Board _____

Other _____

DepartmentName

[Signature]
Director - Building & Inspection Services

PENALTY FOR REMOVING THIS CARD

City of Portland, Maine - Building or Use Permit

389 Congress Street, 04101 Tel: (207) 874-8703, Fax: (207) 874-8716

Permit No: 06-0482	Date Applied For: 04/05/2006	CBL: 013 C005001
------------------------------	--	----------------------------

Location of Construction: 78 WASHINGTON AVE	Owner Name: SHERWOOD PROPERTIES LLC	Owner Address: PO BOX 11182	Phone:
Business Name:	Contractor Name: Haleys Metal Shop	Contractor Address: 539 Elm Street Biddeford	Phone (207) 284-8571
Lessee/Buyer's Name	Phone:	Permit Type: Hood Systems, Commerical	

Proposed Use: Jewelry Shop/ install vent system for fumes from shop	Proposed Project Description: Jewelry Shop/ install vent system for fumes from shop
---	---

Dept: Zoning	Status: Approved with Conditions	Reviewer: Ann Machado	Approval Date: 04/20/2006
Note:			Ok to Issue: <input checked="" type="checkbox"/>
1) This permit is being approved on the basis of plans submitted. Any deviations shall require a separate approval before starting that work.			

Dept: Building	Status: Approved with Conditions	Reviewer: Mike Nugent	Approval Date: 07/31/2006
Note:			Ok to Issue: <input checked="" type="checkbox"/>
1) Very limited low heat process only			

Dept: Fire	Status: Approved with Conditions	Reviewer: Cptn Greg Cass	Approval Date: 04/20/2006
Note:			Ok to Issue: <input checked="" type="checkbox"/>
1) A 1 hour separation from other areas is required A fire extinguisher is required			
2) 2.7 lb. Cylinders of flammable gas are max allowed			

Comments:
4/26/2006-mjn: Need a bit more info about fire separation assemblies, vent info., need a change of use..spoke with applicant.
5/26/2006-mjn: Applicant has gone away for a week or so will contact us when she returns. We should perform a walkthrough with Fire



General Building Permit Application

If you or the property owner owes real estate or personal property taxes or user charges on any property within the City, payment arrangements must be made before permits of any kind are accepted.

76		E 12	
Total Square Footage of Proposed Structure		Square Footage of Lot	
Tax Assessor's Chart, Block & Lot Chart# Block# Lot# L C S		Owner:	Telephone:
Lessee/Buyer's Name (If Applicable) TENANT JEN BURRALL PHONE # 807-4180		Applicant name, address & telephone:	Cost Of Work \$ 1,187. ⁰⁰ Fee: \$ _____ C of O Fee: \$ _____
Current Specific use: _____ If vacant, what was the previous use? _____ Proposed Specific use: _____			
Project description: FUME VENTILATION FOR CUSTOMERS JEWELRY REPAIR			
Contractor's name, address & telephone: HALZEYS METAL SHOP INC. RICHARD McNALLY Who should we contact when the permit is ready: Phone: 207-284-8571 Mailing address: 529 ELM STREET BIDDEFORD, ME 04005			

Please submit all of the information outlined in the Commercial Application Checklist. Failure to do so will result in the automatic denial of your permit.

In order to be sure the City fully understands the full scope of the project, the Planning and Development Department may request additional information prior to the issuance of a permit. For further information visit us on-line at www.portlandmaine.gov, stop by the Building Inspections office, room 315 City Hall or call 874-8703

I hereby certify that I am the Owner of record of the named property, or that the owner of record authorizes the proposed work and that I have been authorized by the owner to make this application as his/her authorized agent. I agree to conform to all applicable laws of this jurisdiction. In addition, if a permit for work described in this application is issued, I certify that the Code Official's authorized representative shall have the authority to enter all areas covered by this permit at any reasonable hour to enforce the provisions of the codes applicable to this permit.

Signature of applicant:	Date: 4.5.06
-------------------------	--------------

This is not a permit; you may not commence ANY work until the permit is issued

HALEY'S METAL SHOP, INC.
SINCE 1917
539 ELM ST.
BIDDEFORD, ME 04005
207-284-8571, Fax 207-284-9597

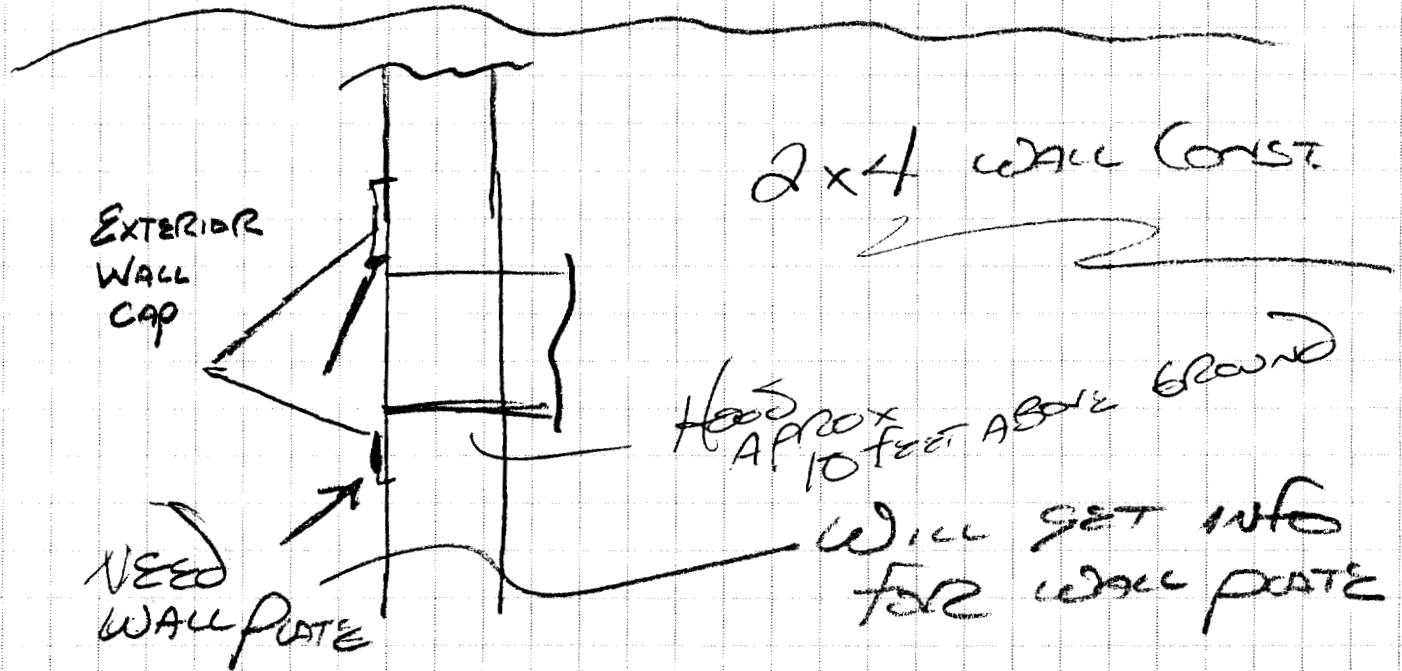
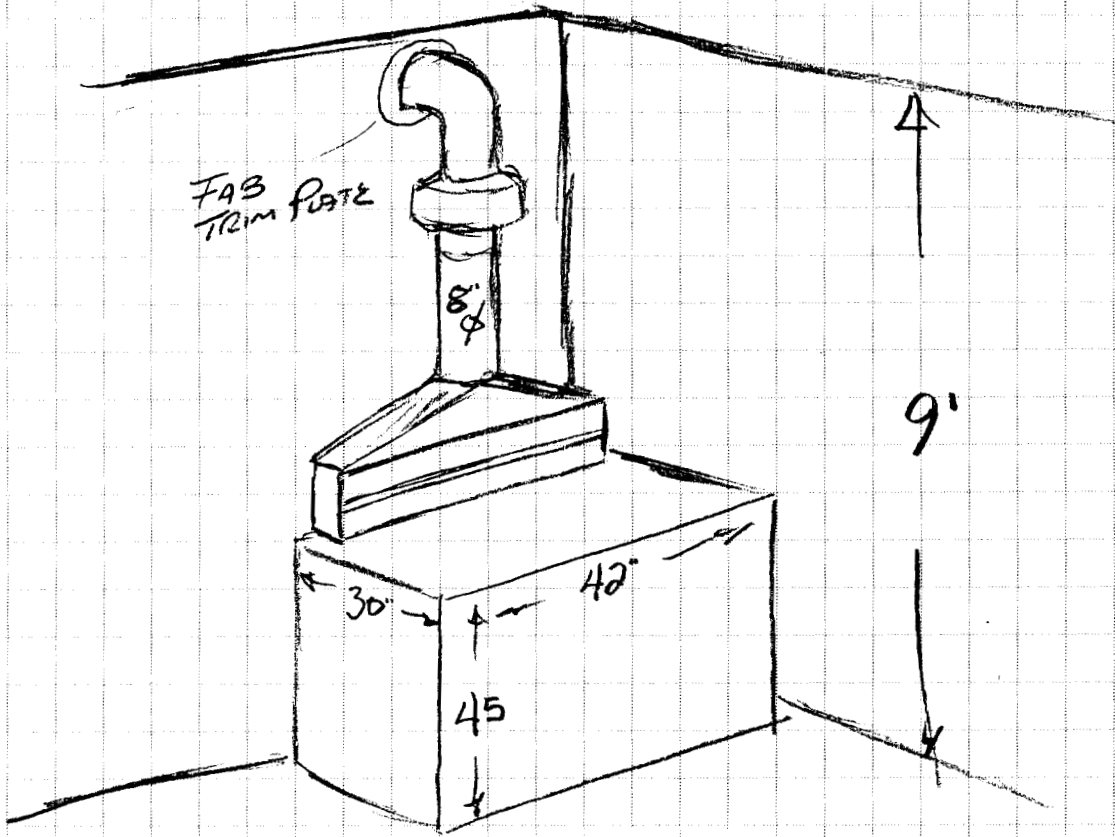
JOB CURRAU

SHEET NO _____ OF _____

CALCULATED BY _____ DATE _____

CHECKED BY _____ DATE _____

SCALE _____



HALEY'S METAL SHOP, INC.
SINCE 1917
539 ELM ST.
BIDDEFORD, ME 04005
207-284-8571, Fax 207-284-9597

JOB _____

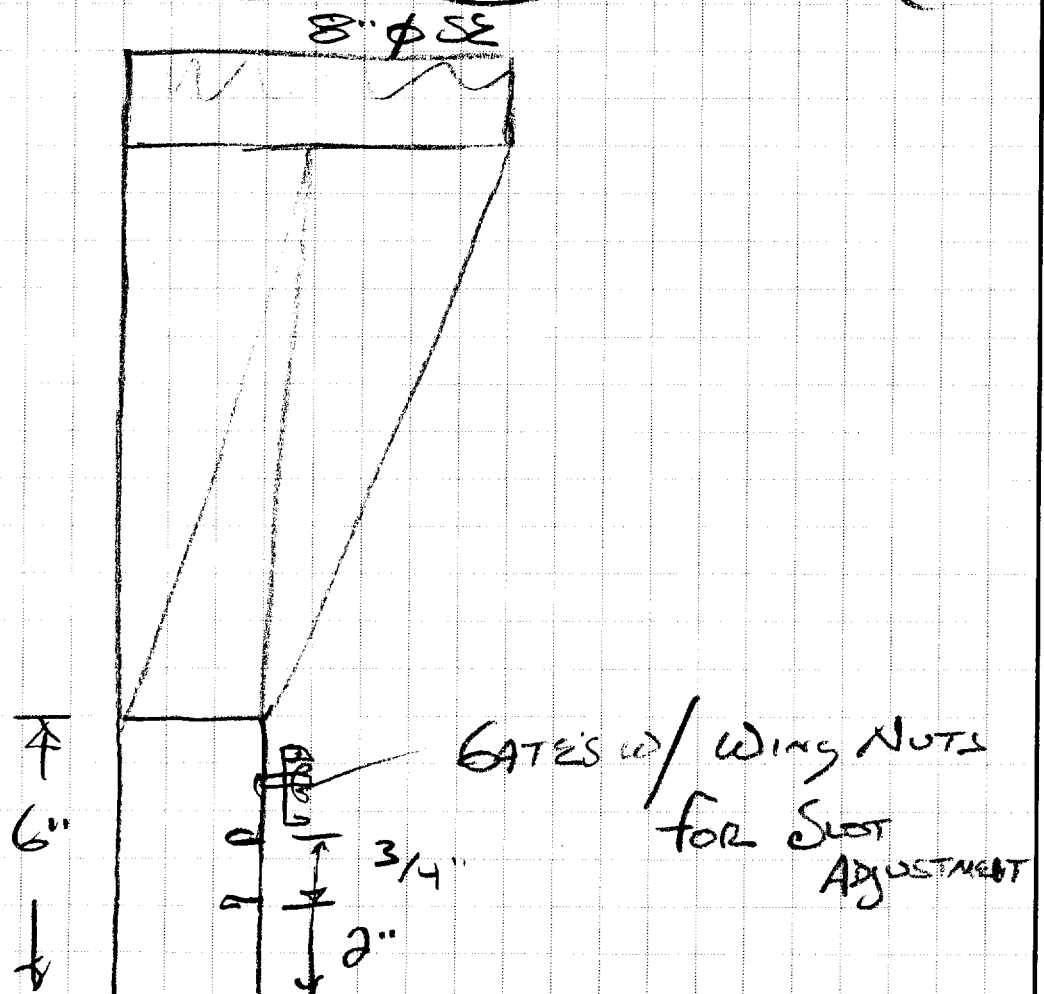
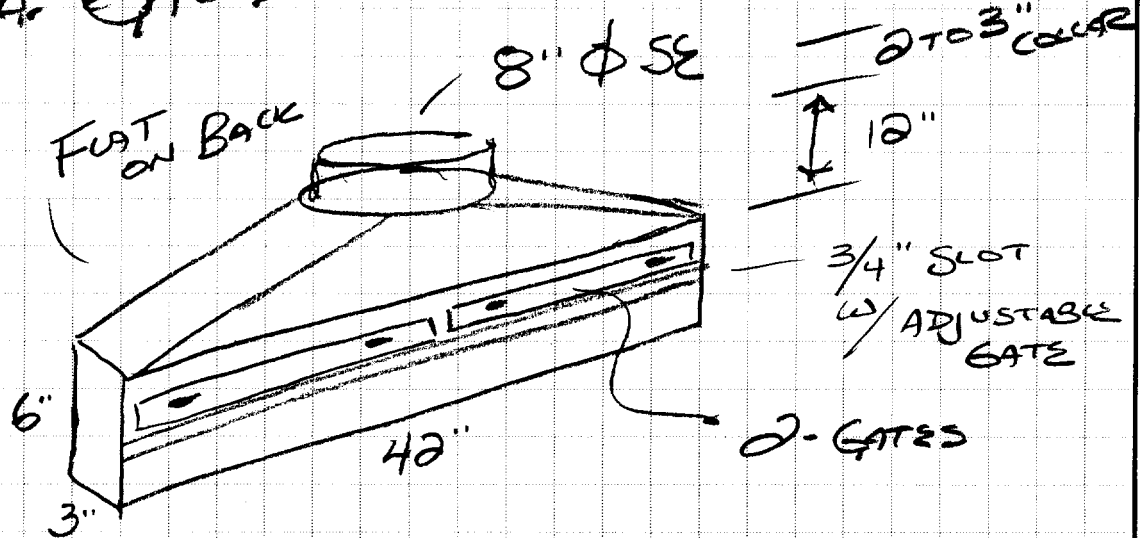
SHEET NO. _____ OF _____

CALCULATED BY _____ DATE _____

CHECKED BY _____ DATE _____

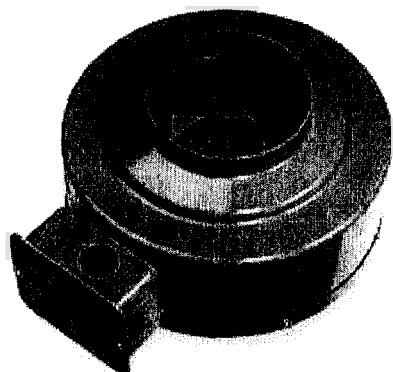
SCALE _____

24 GA. GALV.





printed January 30, 2006

**FAN, DUCT, 8 IN**

In Line Duct Fan, Maximum Speed 2950 RPM, Speed Control 56203, Maximum Power 152 Watts, Inlet/Outlet Diameter 7 7/8 Inches, Duct Diameter 8 Inches, Sones @ 0.5 Static Pressure 9.7, Air Flow @ 0 inches Static Pressure 521 CFM, @ 0.125 Inch Static Pressure 496 CFM, @ 0.250 Inch Static Pressure 469 CFM, @ 0.375 Inch Static Pressure 440 CFM, @ 0.500 Inch Static Pressure 411 CFM, @ 0.750 Inch Static Pressure 345 CFM, Diameter 13 1/4 Inches, Width 6 1/4 Inches

Grainger Item #	4YM45
Price (ea.)	
Brand	FANTECH
Mfr. Model #	FX 8XL
Ship Qty.	1
Sell Qty. (Will-Call)	1
Ship Weight (lbs.)	11.8
Usually Ships	Today
Catalog Page No.	3778

Price shown may not reflect your price. Login or register

Additional Info**Centrifugal In-Line Duct Fans**

Remote mounted fans have lower sound levels than comparable surface mounted fans. Externally mounted terminal box, 1 3/4" deep. Galvanized steel housing with powder coated, baked enamel finish. Prewired fans include mounting bracket. UL Listed for residential range hoods.

Uses: Direct-drive in-line fans for industrial, commercial or residential use for heating, ventilating and cooling applications.

- Totally enclosed, 115V/60 Hz. ball bearing. class B motor
- Maximum operating temperature of 140 DegreeF
- Speed control available
- Horizontal or vertical mounting

Tech Specs

Item: Centrifugal In-line Duct Fan
Max. RPM: 2950
Speed Control: 4YC44
Inlet/Outlet: 7 7/8
Dia. Duct (In.): 8
Sones @ .5 SP: 9.7
CFM @ 0.000-In. SP: 521
CFM @ 0.125-In. SP: 496
CFM @ 0.250-In. SP: 469
CFM @ 0.375-In. SP: 440

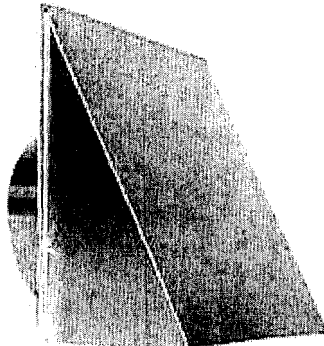
Optional Accessories**DUCT, FLEXIBLE, 8 IN**

Item #: 3F324
Brand: ATCO
Usually Ships: Today
Price (ea):

DUCT, FLEXIBLE, 8 IN



@ Print printed January 30, 2006



WALL CAP,ALUMINUM

Aluminum Wall Cap With Backdraft Damper, Duct Connection Diameter 8 Inches, Mounting Flange 12 1/2 Inches High x 13 Inches Wide

Grainger item #	4YG80
Price (ea.)	
Brand	BROAN
Mfr. Model #	643
Ship Qty.	1
Sell Qty. (Will-Call)	1
Ship Weight (lbs.)	2.45
Usually Ships	Today
Catalog Page No.	3691

Price shown may not reflect your price. Log in or register

Additional Info

Wall Cap for 8" Round Duct

Natural aluminum wall cap features built-in damper. Flange is 12 1/2 x 13".

Tech Specs

Material: Aluminum
includes: Built-in Damper
For Use With: 8 Inches Diameter Round Duct

Notes & Restrictions

There are currently no notes or restrictions for this item.

MSDS

This item does not require a **Material Safety Data Sheet (MSDS)**.

Required Accessories

There are currently no required accessories for this item.

Optional Accessories

DUCT,FLEXIBLE,8 IN



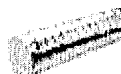
Item #: 3F324
Brand: ATCO
Usually Ships: Today
Price (ea):

DUCT,FLEXIBLE,8 IN

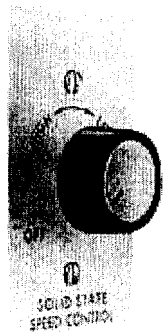


Item #: 3F329
Brand: ATCO
Usually Ships: Today
Price (ea):

DUCT,FLEXIBLE,8 IN



Item #: 3F335
Brand: ATCO
Usually Ships: Today
Price (ea):



FAN SPEED CONTROL, 3 A

Variable Speed Control, Volts 120, Max Amps 3, Plate Color Silver, For Use With Dayton Ventilators 4YC64 - 4YC68, 4YC70, 4HZ32 - 4HZ40, 4HZ42, 4YC72, 4HZ44, 4HZ46, 4HZ48, 4HZ50, Includes Mounting screws

Grainger Item #	4YC44
Price (ea.)	
Brand	DAYTON
Mfr. Model #	4YC44
Ship Qty.	1
Sell Qty. (Will-Call)	1
Ship Weight (lbs.)	0.3
Usually Ships	Today
Catalog Page No.	3762

Price shown may not reflect your price Log in or register

Additional Info

Speed Controls

Variable speed controls permit adjustment between 50 and 100% air performance and are rated 120V, 60Hz. Can be used to operate multiple fans, if total amp draw does not exceed control's amp rating. Controls are suitable and intended only for use with specified ventilators as listed. UL Listed when used in combination with fan as listed. Do not use speed controls in NFPA96 installations.

Can be used to operate multiple fans, if total amp draw does not exceed control's amp rating. Controls are suitable and intended only for use with specified ventilators as listed. UL Listed when used in combination with fan as listed. Do not use speed controls in NFPA 96 installations.

Tech Specs

Item: Variable Speed Control
Max. Amps: 3
Voltage: 120
Number of Functions: 3 Off/High/Low
For Use With: 4YC64-4YC68, 4YC70, 4HZ32-4HZ40, 4HZ42, 4YC72, 4HZ44, 4HZ46, 4HZ48, 4HZ50
Plate Color: Silver

Optional Accessories



HANDY BOX, 13.0 CU IN
Item #: 4A238
Brand: RACO
Usually Ships: Today
Price (ea):

Notes & Restrictions

There are currently no notes or restrictions for this item.

Alternate Products

FAN SPEED CONTROL, 6 A

Item #: 4YC46

ISDS