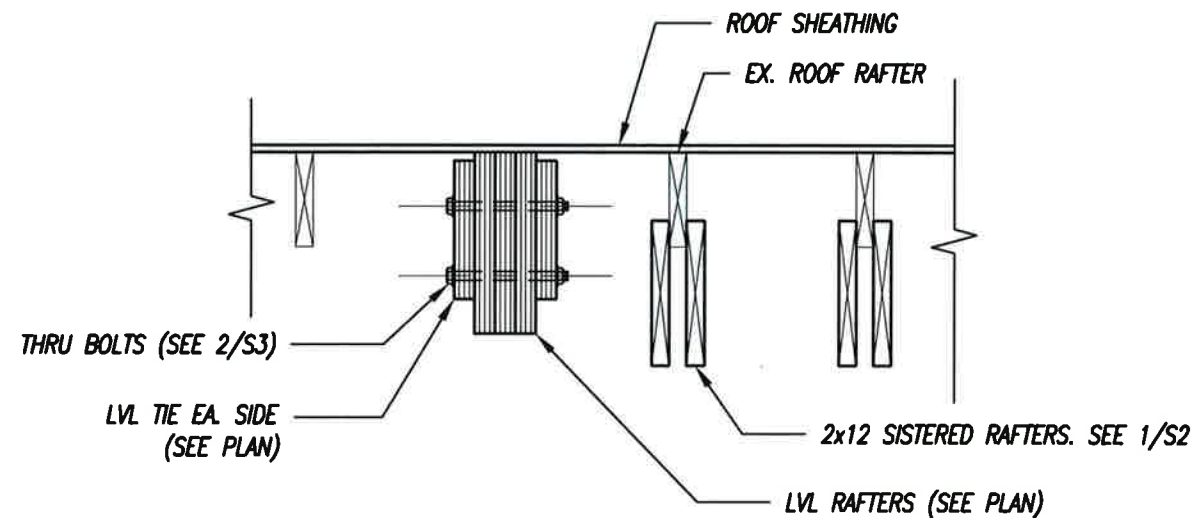


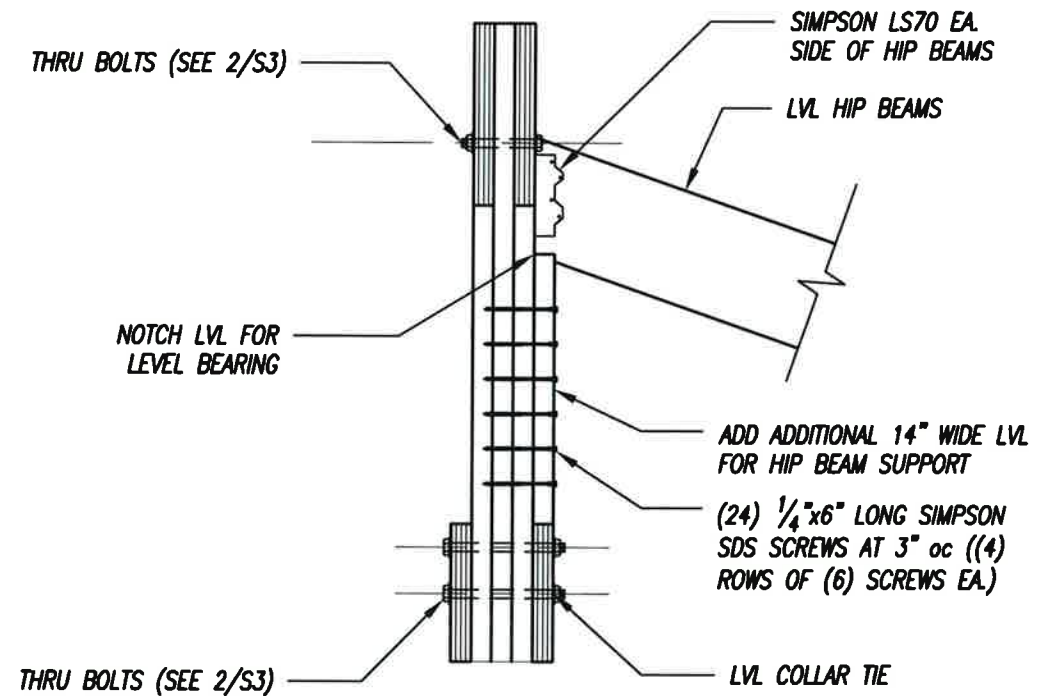
3 SECTION

3/4" = 1'-0"



4 SECTION

3/4" = 1'-0"



5 SECTION

3/4" = 1'-0"

FRAMING ELEVATION	M² Structural Engineering P.C.	DRAWN: MJM	SCALE: AS NOTED
		CHECKED: MJM	PROJECT NO.: 14077
RISBARA BROS. CONSTRUCTION 82 NORTH STREET RENOVATIONS	23 Thornbury Way Windham, ME 04062 (207) 892-0983	DATE: 12/05/214	DRAWING NO.: S4