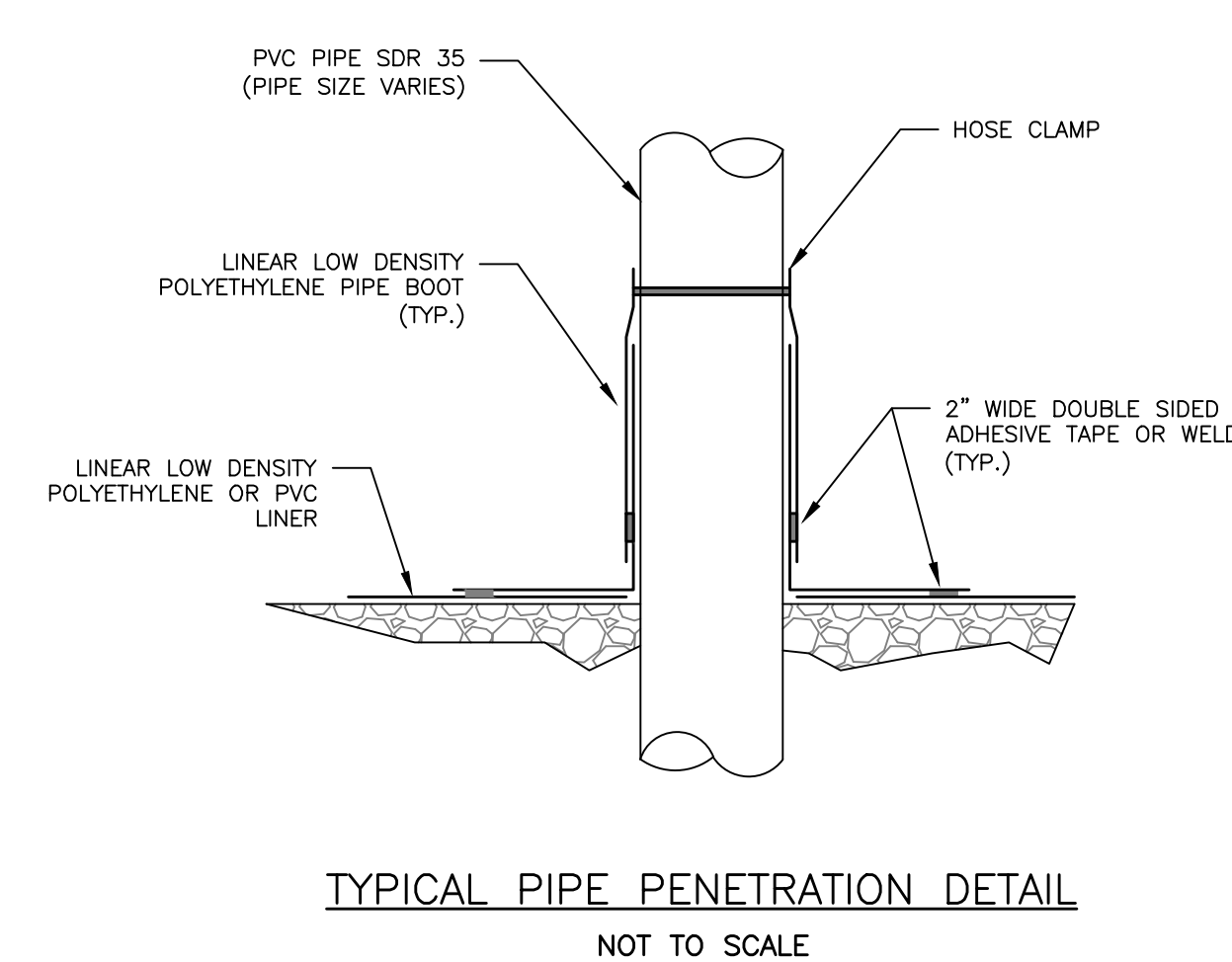


USSF PLAN VIEW
1"=5'



TYPICAL PIPE PENETRATION DETAIL
NOT TO SCALE

MANUFACTURER'S NOTES:

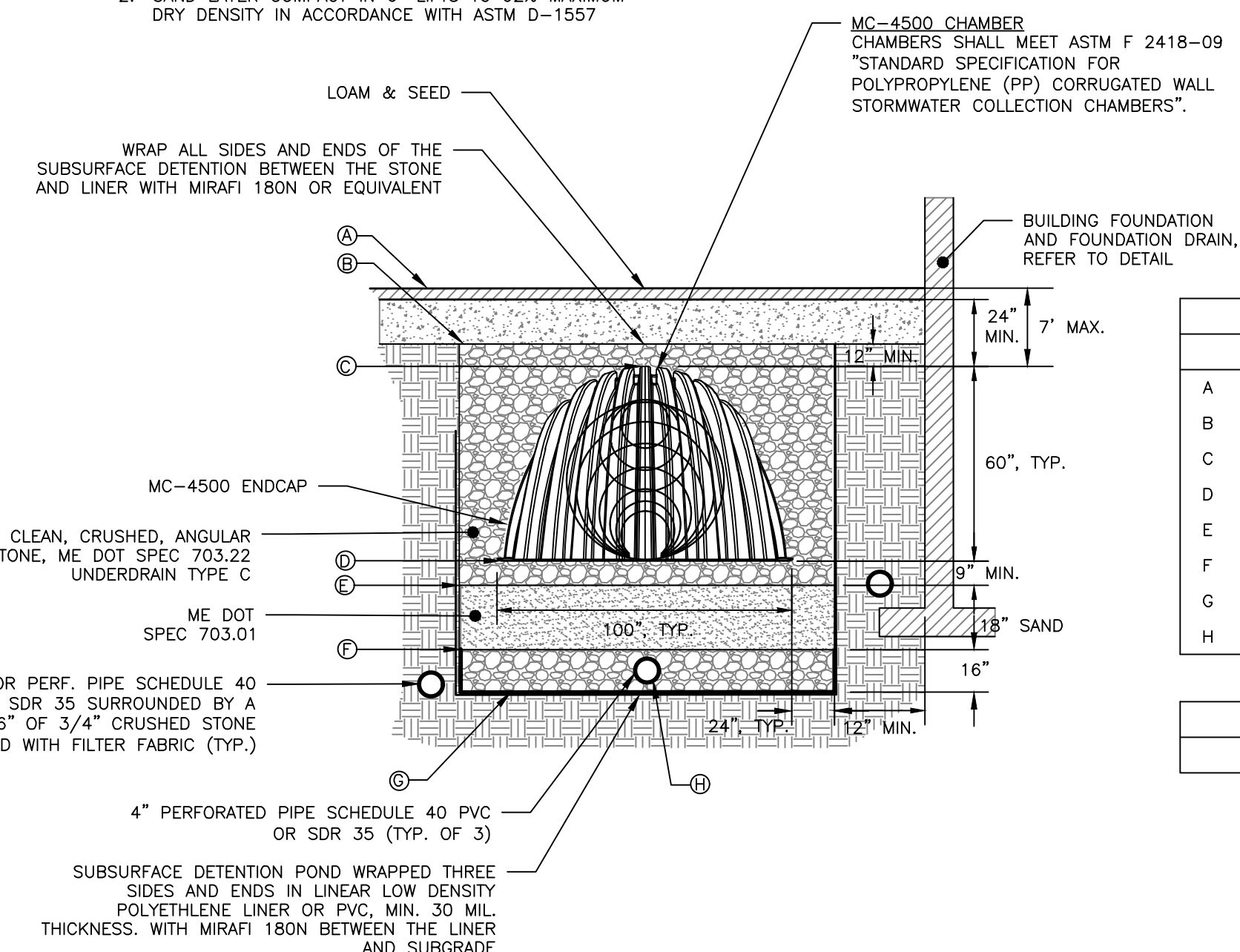
1. ALL DESIGN SPECIFICATIONS FOR STORMTECH MC-4500 CHAMBERS SHALL BE IN ACCORDANCE WITH THE STORMTECH DESIGN MANUAL.
2. THE INSTALLATION OF STORMTECH MC-4500 CHAMBERS SHALL BE IN ACCORDANCE WITH THE LATEST STORMTECH INSTALLATION INSTRUCTIONS.
3. THE CONTRACTOR IS ADVISED TO REVIEW AND UNDERSTAND THE INSTALLATION INSTRUCTIONS PRIOR TO BEGINNING SYSTEM INSTALLATION. CALL 1-888-892-2694 OR VISIT WWW.STORMTECH.COM TO RECEIVE A COPY OF THE LATEST STORMTECH INSTALLATION INSTRUCTIONS.
4. CHAMBERS SHALL MEET THE DESIGN REQUIREMENTS AND LOAD FACTORS SPECIFIED IN SECTION 12.12 OF THE LATEST EDITION OF THE AASHTO LRFD BRIDGE DESIGN SPECIFICATIONS.

ENGINEER'S NOTES:

1. THE LAYOUT AND DIMENSION OF THE SUBSURFACE DETENTION MAY BE MODIFIED WITH AN ENGINEER APPROVED EQUAL WHICH PROVIDES EQUAL DETENTION STORAGE AND WATER QUALITY TREATMENT.
2. THE SUBSURFACE DETENTION SHALL BE INSPECTED BY THE DESIGN ENGINEER AT THE FOLLOWING INTERVALS:
 - AFTER PRELIMINARY CONSTRUCTION OF THE SUBSURFACE DETENTION GRADES
 - ONE SITE VISIT DURING THE INSTALLATION OF THE IMPERVIOUS LINER
 - ONE SITE VISIT AFTER THE UNDERDRAINS ARE INSTALLED BUT BEFORE THEY ARE BACKFILLED
 - DURING THE CONSTRUCTION OF THE SAND FILTER LAYER
 - DURING THE INSTALLATION OF THE STORMTECH ISOLATOR ROW
 - BEFORE BACKFILLING THE STORMTECH UNITS
3. THE FIRST YEAR OF MAINTENANCE SHALL BE PERFORMED BY THE MANUFACTURER TO ENSURE THAT THE SYSTEM IS OPERATING ACCORDING TO THE ESTABLISHED SPECIFICATIONS.
4. REFER TO THE MANUFACTURER'S GUIDE FOR THE OPERATION AND MAINTENANCE PLAN.

NOTES:

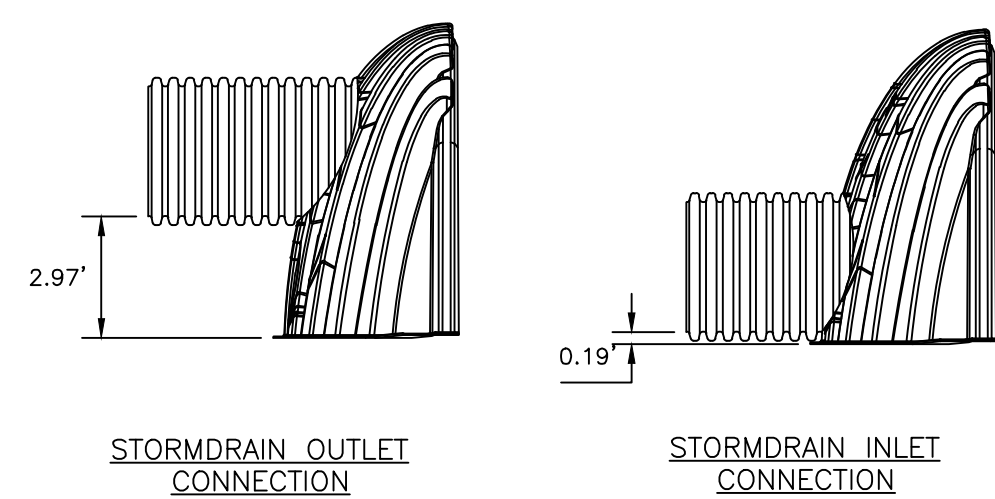
1. REFER TO THE MAINE DEP TECHNICAL DESIGN MANUAL SECTION 7.3 FOR ADDITIONAL DESIGN DETAILS.
2. SAND LAYER COMPACT IN 6" LIFTS TO 92% MAXIMUM DRY DENSITY IN ACCORDANCE WITH ASTM D-1557



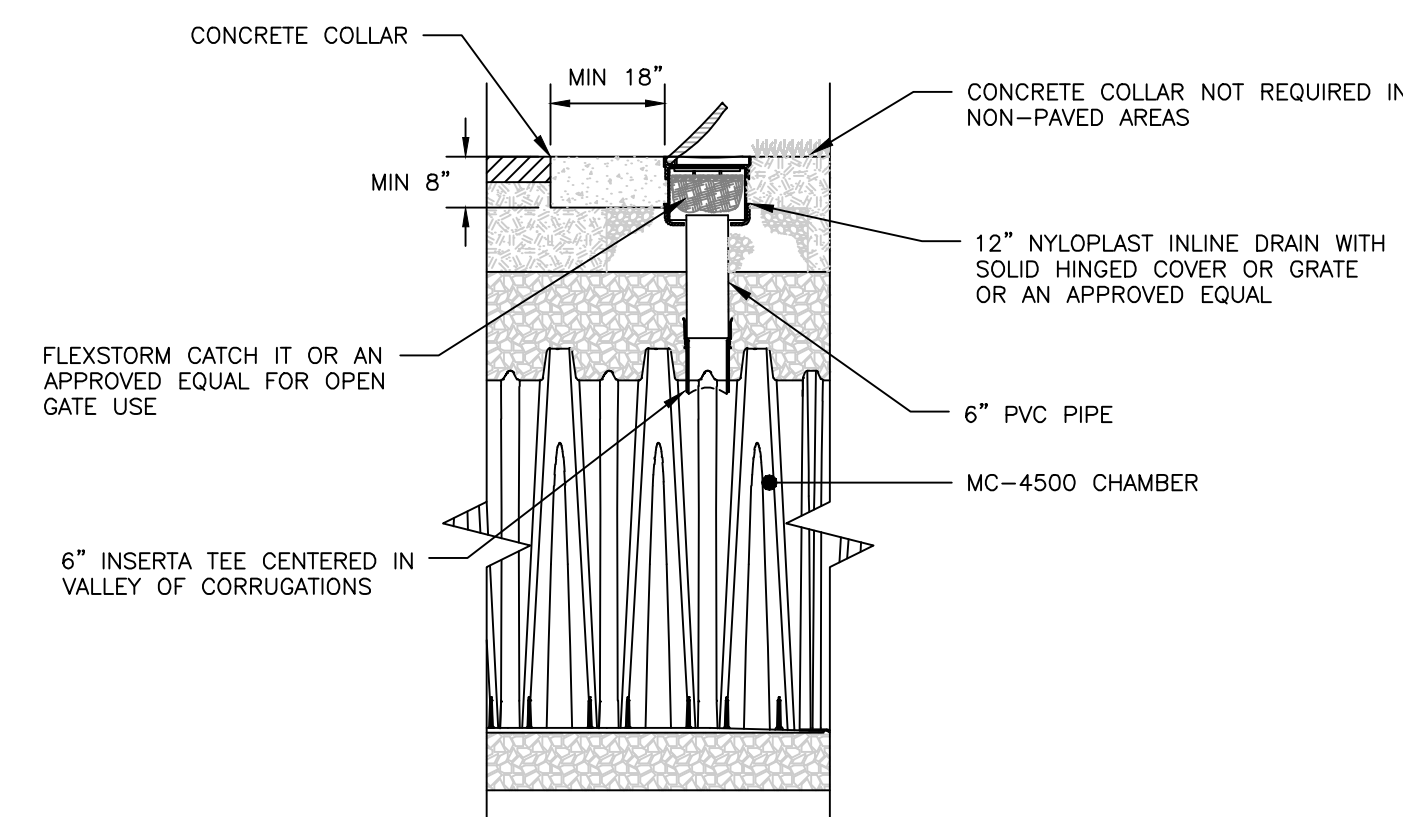
UNDERDRAINED SUB-SURFACE SAND FILTER TYPICAL CROSS SECTION
NOT TO SCALE

SCHEDULE	
ITEM	ELEVATION
A	TOP OF GRADE 130.80'
B	TOP OF CRUSHED STONE 129.47'
C	TOP OF CHAMBER 128.47'
D	BOTTOM OF CHAMBER 123.47'
E	TOP OF SAND 122.72'
F	BOTTOM OF SAND 121.22'
G	BOTTOM OF SYSTEM 119.88'
H	UNDERDRAIN INVERT 120.21'

STRUCTURE SCHEDULE
REFER TO C-30 FOR INVERTS



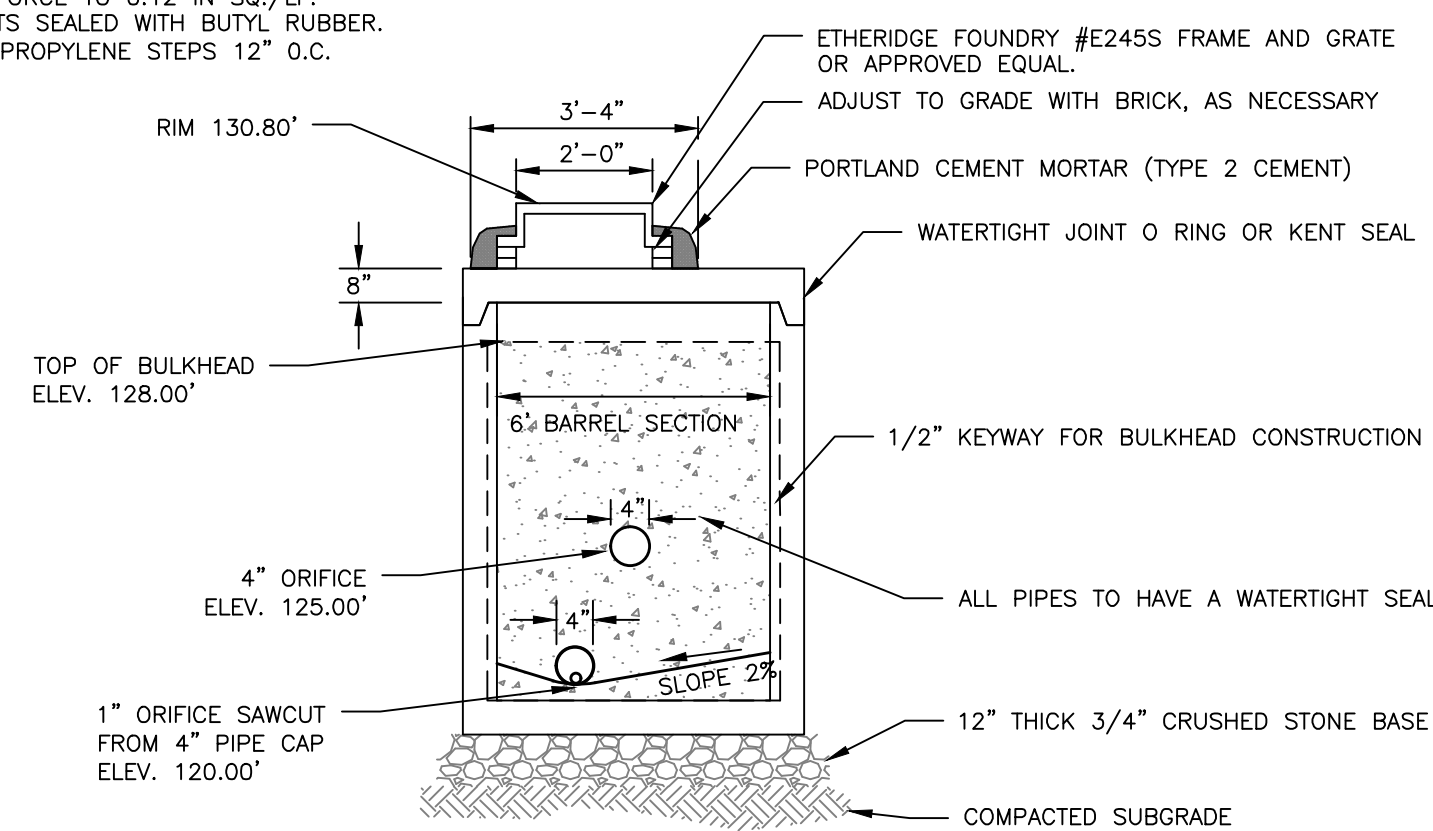
STORMTECH - CONNECTION
NOT TO SCALE



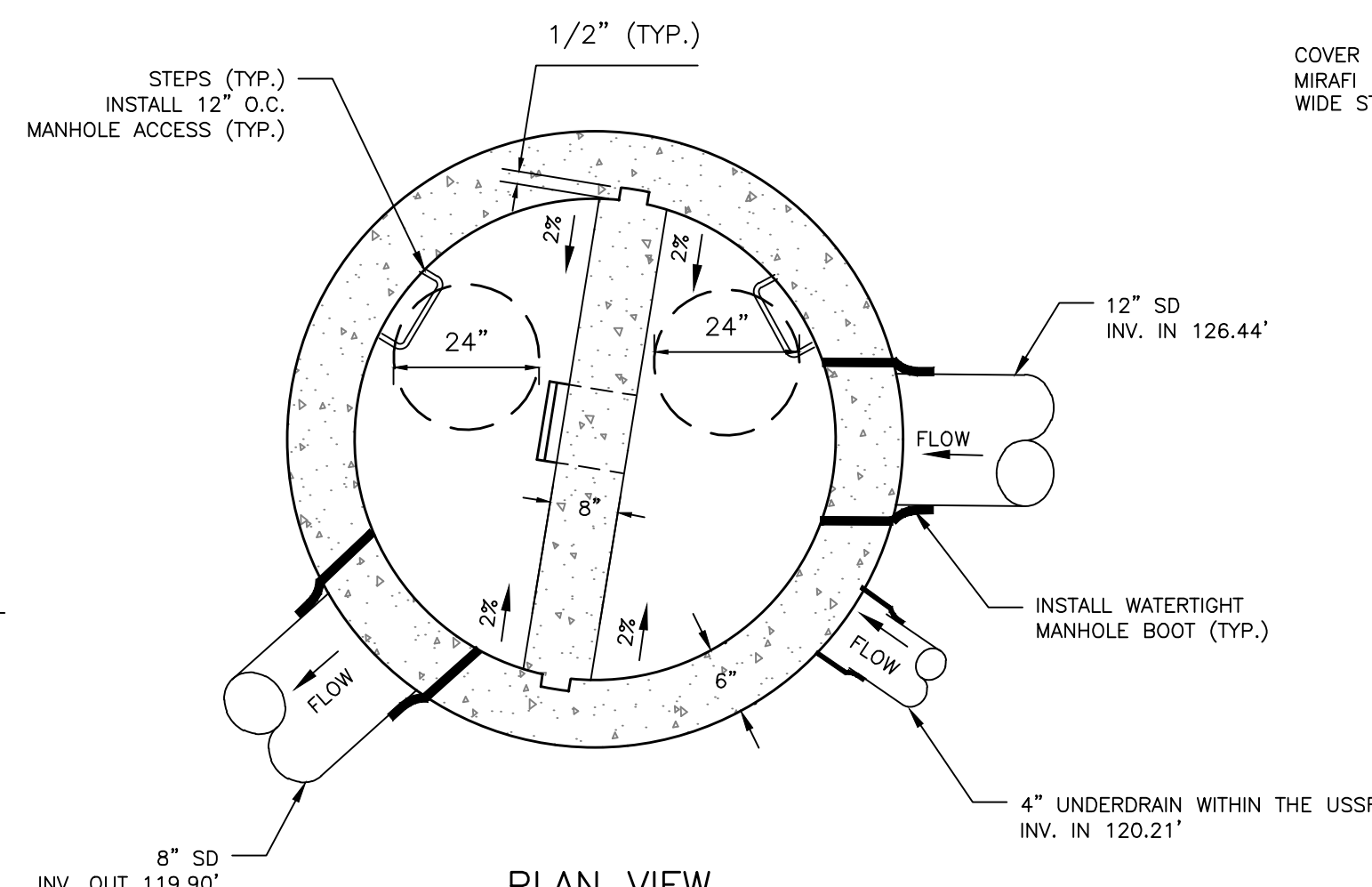
INSPECTION PORT DETAIL
NOT TO SCALE

NOTES:

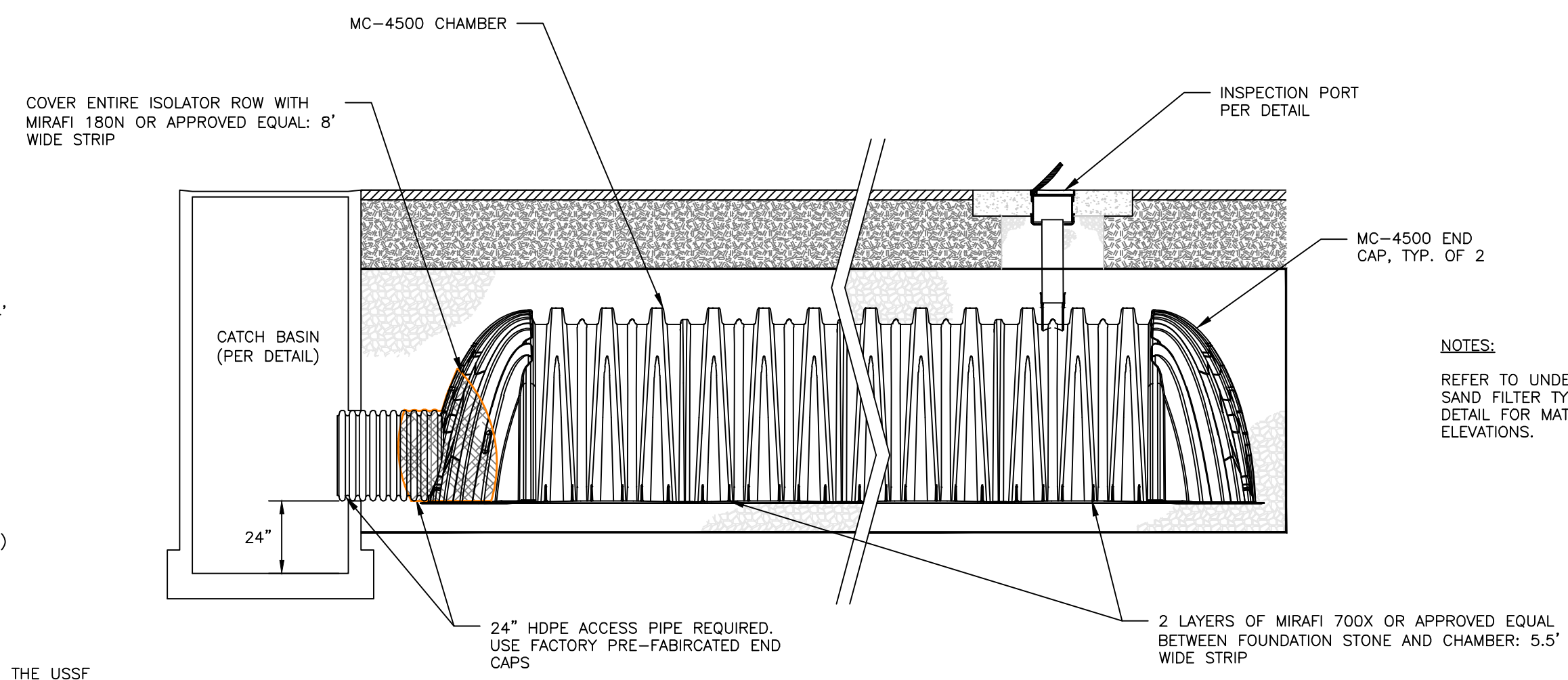
1. ALL CONCRETE TO HAVE A MIN. OF 4,000 PSI COMPRESSIVE STRENGTH AT 28 DAYS.
2. DESIGN LOAD FOR H-20 WHEEL LOAD.
3. CATCH BASIN TO CONFORM TO ASTM-C478 SPECIFICATIONS.
4. REINFORCE TO 0.12 IN SQ/LF
5. JOINTS SEALED WITH BUTYL RUBBER.
6. POLYPROPYLENE STEPS 12" O.C.



SIDE PROFILE



PLAN VIEW



ISOLATOR ROW - PROFILE VIEW
NOT TO SCALE

OUTLET CONTROL STRUCTURE
NOT TO SCALE

- NOTES:
1. REFER TO UNDERDRAINED SUB-SURFACE SAND FILTER TYPICAL CROSS SECTION DETAIL FOR MATERIAL AND STRUCTURE ELEVATIONS.

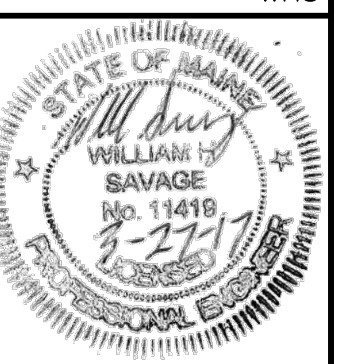
PRELIMINARY
NOT ISSUED FOR
CONSTRUCTION

ISSUED FOR	BY
PRELIM APP	WHS
	3/28/17

DRAWING NAME: STORMWATER DETAILS
PROJECT NAME: 155 SHERIDAN STREET
CLIENT: VAZZA REAL ESTATE GROUP
BD SHERIDAN, LLC
1266 FURNACE BROOK PARKWAY SUITE 300 QUINCY, MA 02169

ACORN ENGINEERING, INC.
158 BANKFOURTH ST. PORTLAND, MAINE 04102
(207) 775-2655

FILE: CIVIL_1069
JN: 1069
SCALE: NTS
DESIGNED BY: OJD
DRAWN BY: OJD
CHECKED BY: WHS



DRAWING NO.
C-44