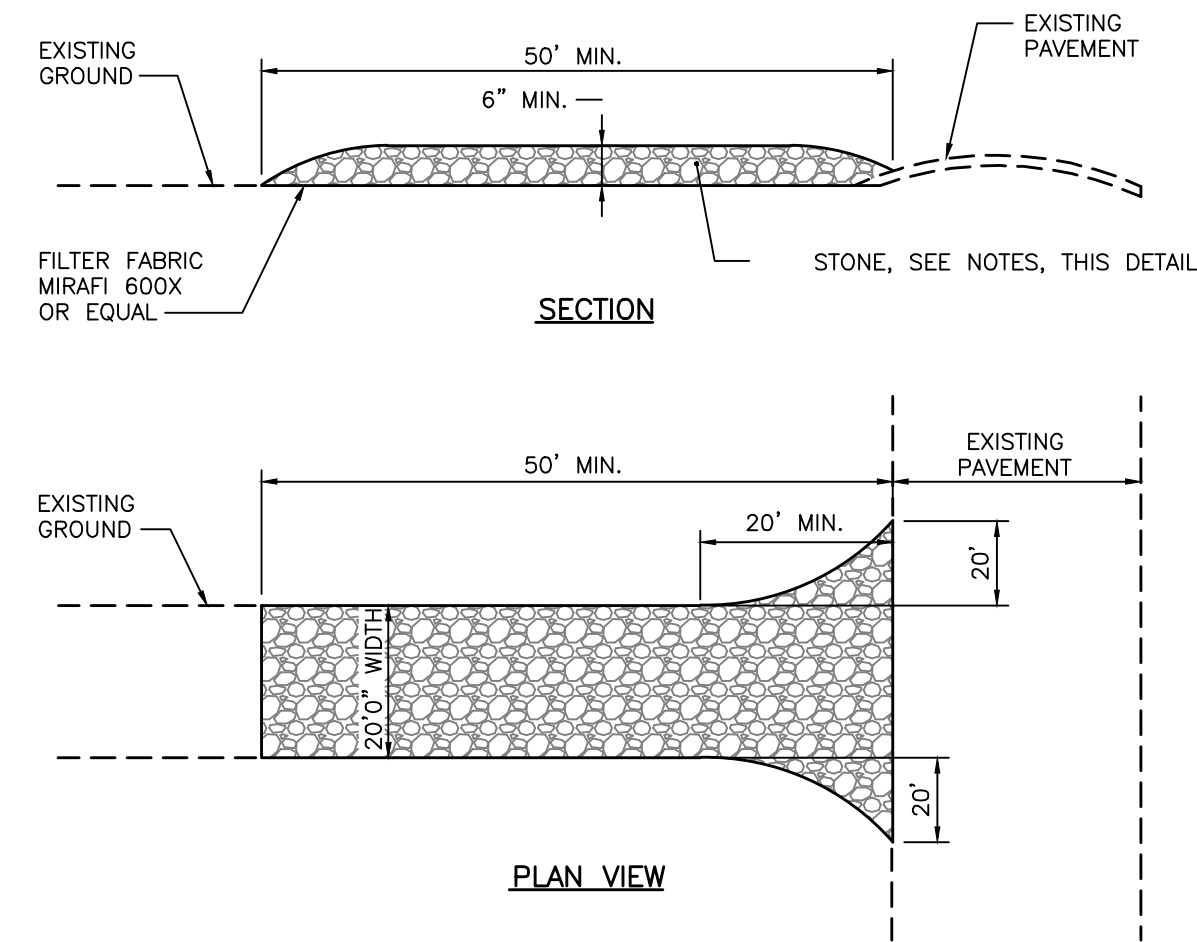
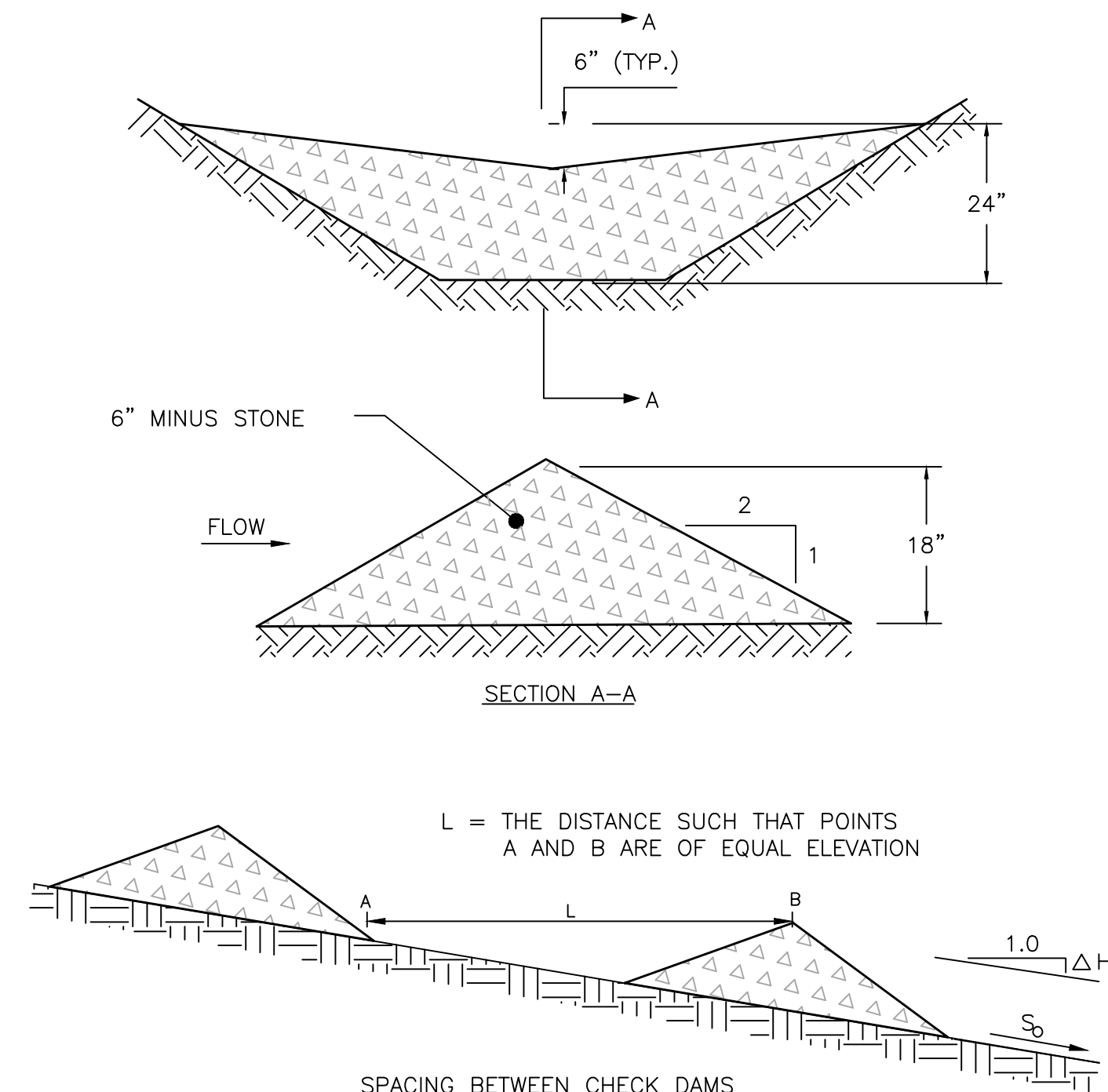


NOTES:

1. CONTRACTOR SHALL ADD STONE TO ENTRANCE AS MUD/SILT MATERIAL ACCUMULATES
2. STONE SHALL BE 2"-3" COARSE AGGREGATE
3. CONSTRUCTION ENTRANCE SHALL BE GRADED TO NOT ALLOW ANY STORMWATER TO BE CONVEYED OFF SITE. IN SITUATIONS WHERE THIS IS NOT POSSIBLE, ANY STORMWATER CONVEYED OFFSITE SHALL BE TREATED OR RETAINED IN A MANNER APPROVED BY ENGINEER.
4. WHEN NECESSARY, ON-SITE VEHICLES SHALL HAVE THEIR WHEELS CLEANED PRIOR TO LEAVING SITE.
5. CONSTRUCTION ENTRANCE SHALL BE GRADED IN A MANNER THAT PREVENTS TRACKING OF SEDIMENTS ONTO PUBLIC RIGHT-OF-WAY

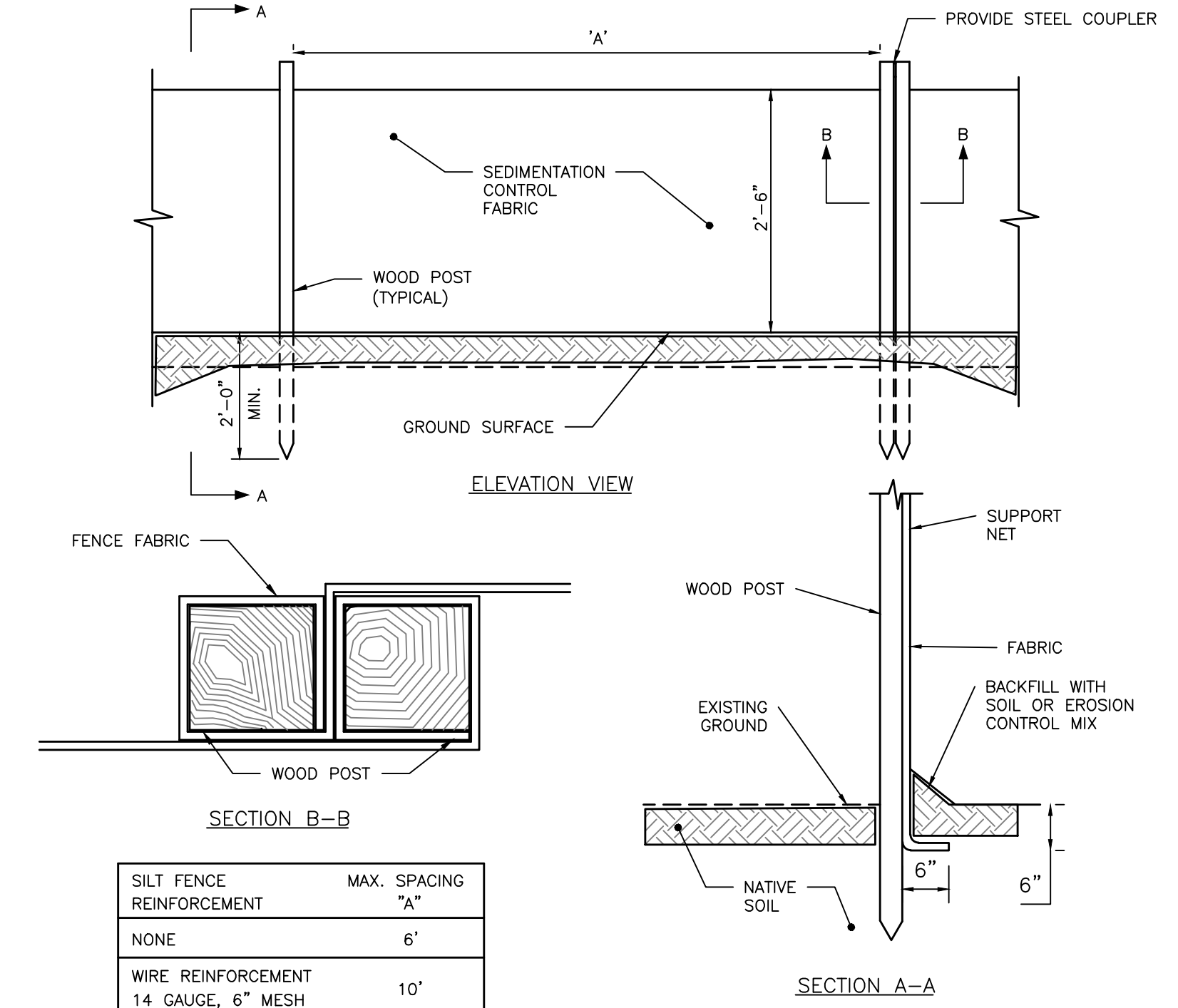


STABILIZED CONSTRUCTION ENTRANCE
NOT TO SCALE



STONE CHECK DAM
NOT TO SCALE

| SPACING BETWEEN CHECK DAMS | |
|-----------------------------|------------|
| S ₀ (FT./FT.) | L (FT.) |
| 0.020 | 75 |
| 0.030 | 50 |
| 0.040 | 40 |
| 0.050 | 30 |
| 0.080 | 20 |
| 0.100 | 10 |

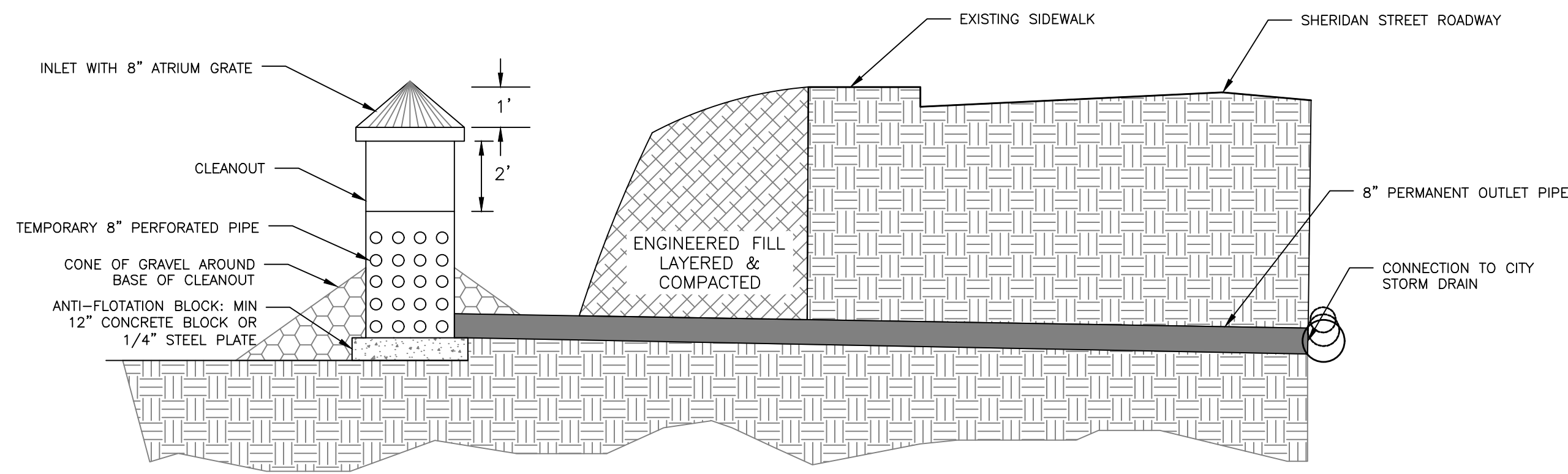


| SILT FENCE REINFORCEMENT | MAX. SPACING "X" |
|---|------------------|
| NONE | 6' |
| WIRE REINFORCEMENT 14 GAUGE, 6" MESH | 10' |

SILTATION FENCE DETAIL
NOT TO SCALE

NOTES:

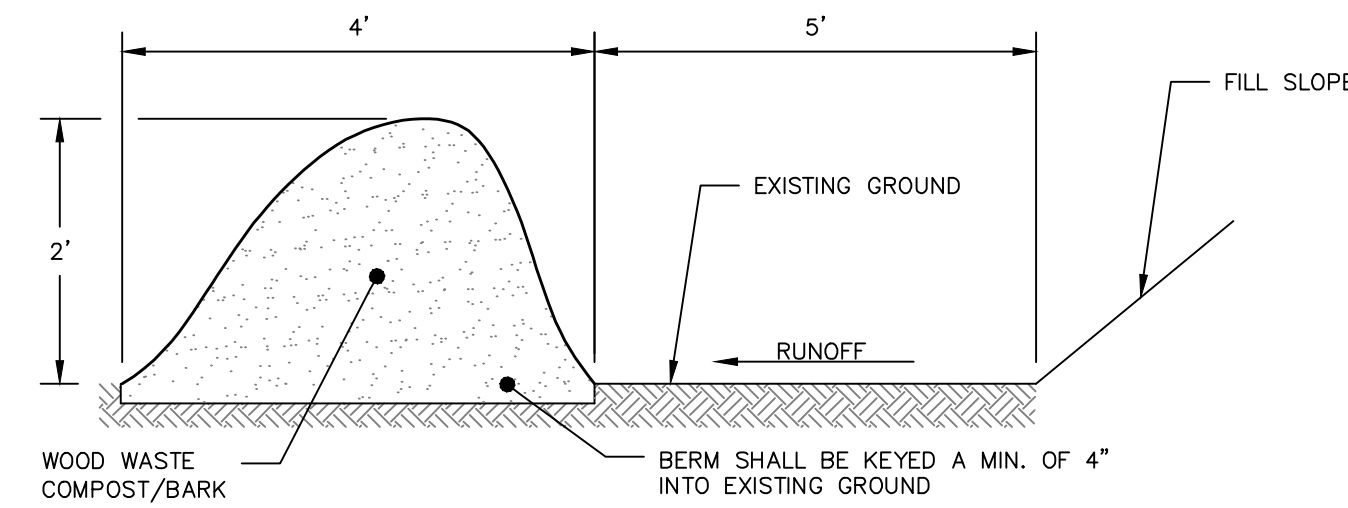
1. EMBANKMENT FOUNDATION AREA SHALL BE CLEARED OF STUMPS, ROOTS, BRUSH, ETC. TO PROVIDE GOOD CONTACT.
2. BASINS ARE TO BE CONSTRUCTED BEFORE THE GROUND IS FROZEN.
3. ALL NATIVE SOIL IS TO BE SCARIFIED BEFORE THE FIRST LAYER OF FILL.
4. ALL EMBANKMENTS NOT SUPPORTED BY RIP RAP SHALL BE COVERED WITH EROSION CONTROL MIX IN ACCORDANCE WITH THE EROSION AND SEDIMENTATION CONTROL PLAN.
5. ALL PIPE JOINTS ARE TO BE WATERTIGHT USING COUPLINGS, GASKETS, CAULKING, OR WELDING.



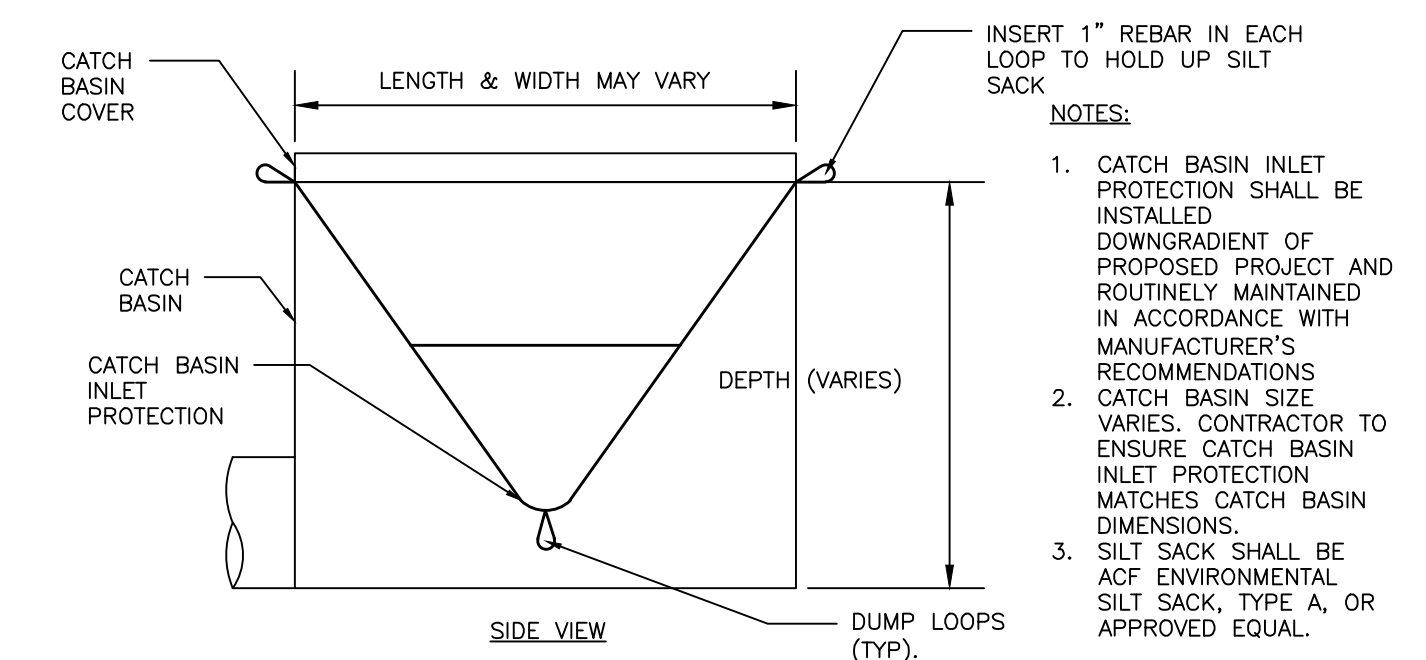
SEDIMENTATION BASIN CROSS-SECTION
NOT TO SCALE

NOTES:

1. THE EROSION CONTROL MIX SHALL CONFORM TO THE FOLLOWING STANDARDS AND IN ACCORDANCE WITH THE MAINE DEP'S EROSION AND SEDIMENT CONTROL BMP'S SECTION B-1:
 - A. THE ORGANIC PORTIONS SHALL BE FIBROUS AND ELONGATED TO ALLOW FOR THE INTERLOCKING OF MATERIAL.
 - B. pH = 5.0 - 8.0.
 - C. PARTICLE SIZE BY WEIGHT SHALL BE 100% PASSING A 6" SCREEN AND A MINIMUM OF 70% TO A MAXIMUM 85% PASSING A 0.75" (3/4") SCREEN.
 - D. THE ORGANIC MATTER CONTENT SHALL BE BETWEEN 80 AND 100% DRY WEIGHT BASIS.
 - E. NO STONES LARGER THAN 4" IN DIAMETER.
 - F. LARGE PORTIONS OF SILTS, CLAYS OR FINE SANDS ARE NOT ACCEPTABLE IN THE MIX.
2. THE BERM SHOULD BE PLACED, UNCOMPACTED, ALONG A RELATIVELY LEVEL CONTOUR, WHEN NECESSARY THE BERM MAY BE PLACED PERPENDICULAR TO THE SLOPE, ALONG THE PROPERTY LINE TO CONTAIN THE SEDIMENT PROVIDED A BERM IS LOCATED AT THE BASE OF THE SLOPE.
3. THE BERM MAY BE USED IN LIEU OF SILTATION FENCE, AT THE TOE OF SHALLOW SLOPES, ON FROZEN GROUND, LEDGE OUT CROPS, VERY ROOTED FORESTED AREA OR AT THE EDGE OF GRAVEL PARKING AREAS.
4. BERMS SHALL REMAIN IN PLACE UNTIL UPSTREAM AREA IS STABILIZED OR 90% CATCH OF VEGETATION IS ATTAINED. BERMS SHALL BE REMOVED OFFSITE OR BY SPREADING SUCH THAT NATIVE EARTH CAN BE SEEN BELOW.



EROSION CONTROL MIX BERM DETAIL
NOT TO SCALE



CATCH BASIN INLET PROTECTION
NOT TO SCALE

- NOTES:**
1. CATCH BASIN INLET PROTECTION SHALL BE INSTALLED DOWNGRADIENT OF PROPOSED PROJECT AND ROUTINELY MAINTAINED IN ACCORDANCE WITH MANUFACTURER'S RECOMMENDATIONS.
 2. CATCH BASIN SIZE VARIES. CONTRACTOR TO ENSURE CATCH BASIN INLET PROTECTION MATCHES CATCH BASIN DIMENSIONS.
 3. SILT SACK SHALL BE ACF ENVIRONMENTAL SILT SACK, TYPE A, OR APPROVED EQUAL.

FINAL
NOT ISSUED FOR
CONSTRUCTION

| ISSUED FOR | BY | DATE |
|-------------|-----|---------|
| PRELIM APP. | WHS | 3/7/17 |
| FINAL APP. | WHS | 3/27/17 |

DRAWING NAME: **EROSION & SEDIMENTATION CONTROL DETAILS**

PROJECT NAME: **155 SHERIDAN STREET**

CLIENT: **VAZZA REAL ESTATE GROUP
BD SHERIDAN, LLC**

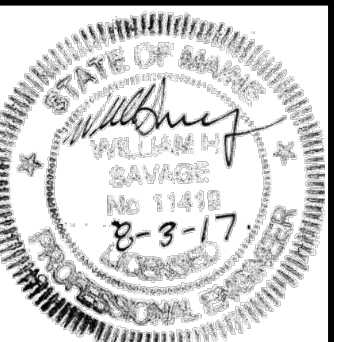
1266 FURNACE BROOK PARKWAY, SUITE 300 QUINCY, MA 02169

ENGINEERING, INC.

A C C O R N

158 BANKFOUN ST. PORTLAND, MAINE 04102
(207) 775-2655

| | |
|--------------|------------|
| FILE: | CIVIL_1069 |
| JN: | 1069 |
| SCALE: | NTS |
| DESIGNED BY: | WHS |
| DRAWN BY: | SUL |
| CHECKED BY: | WHS |



DRAWING NO.
C-46