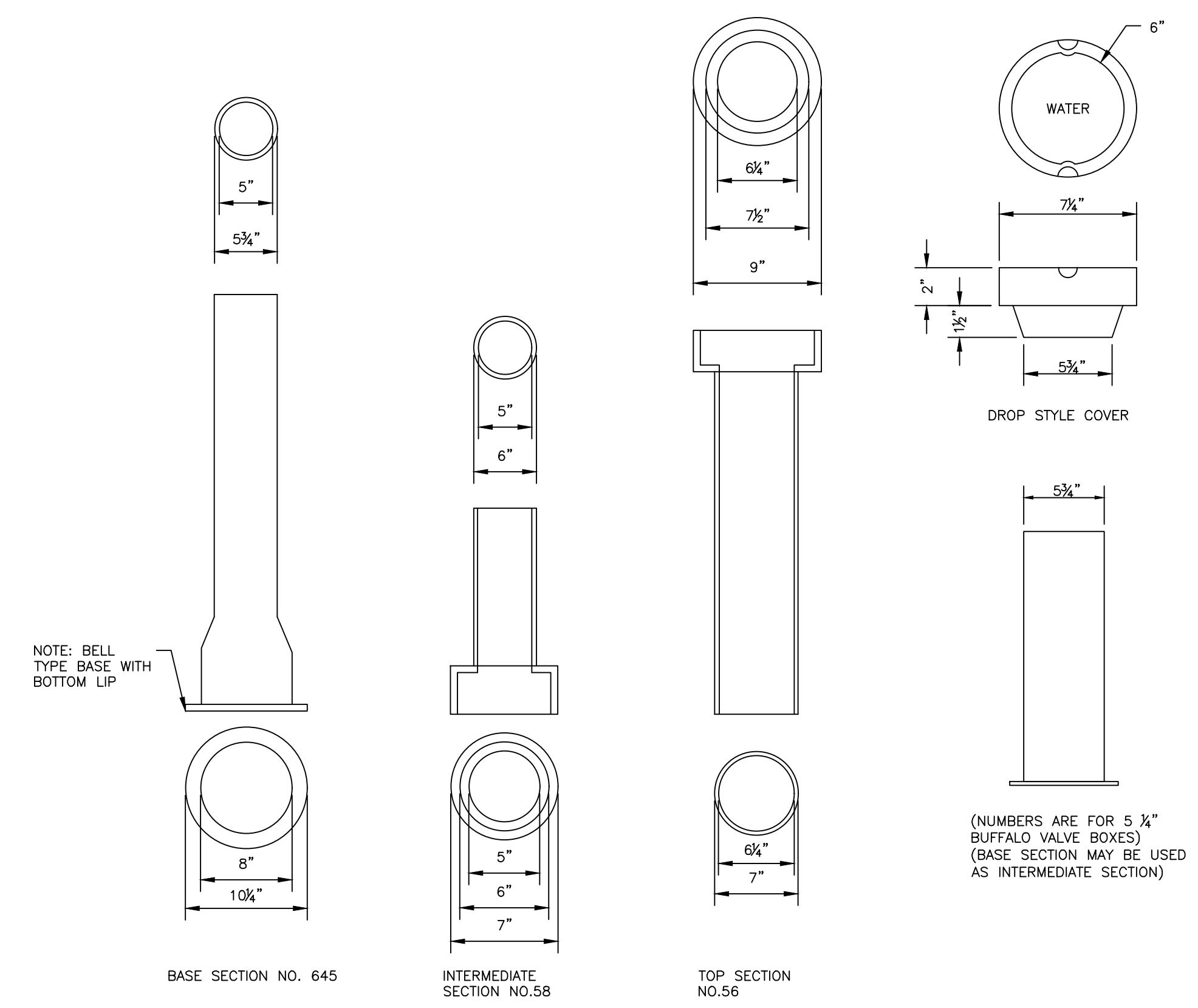
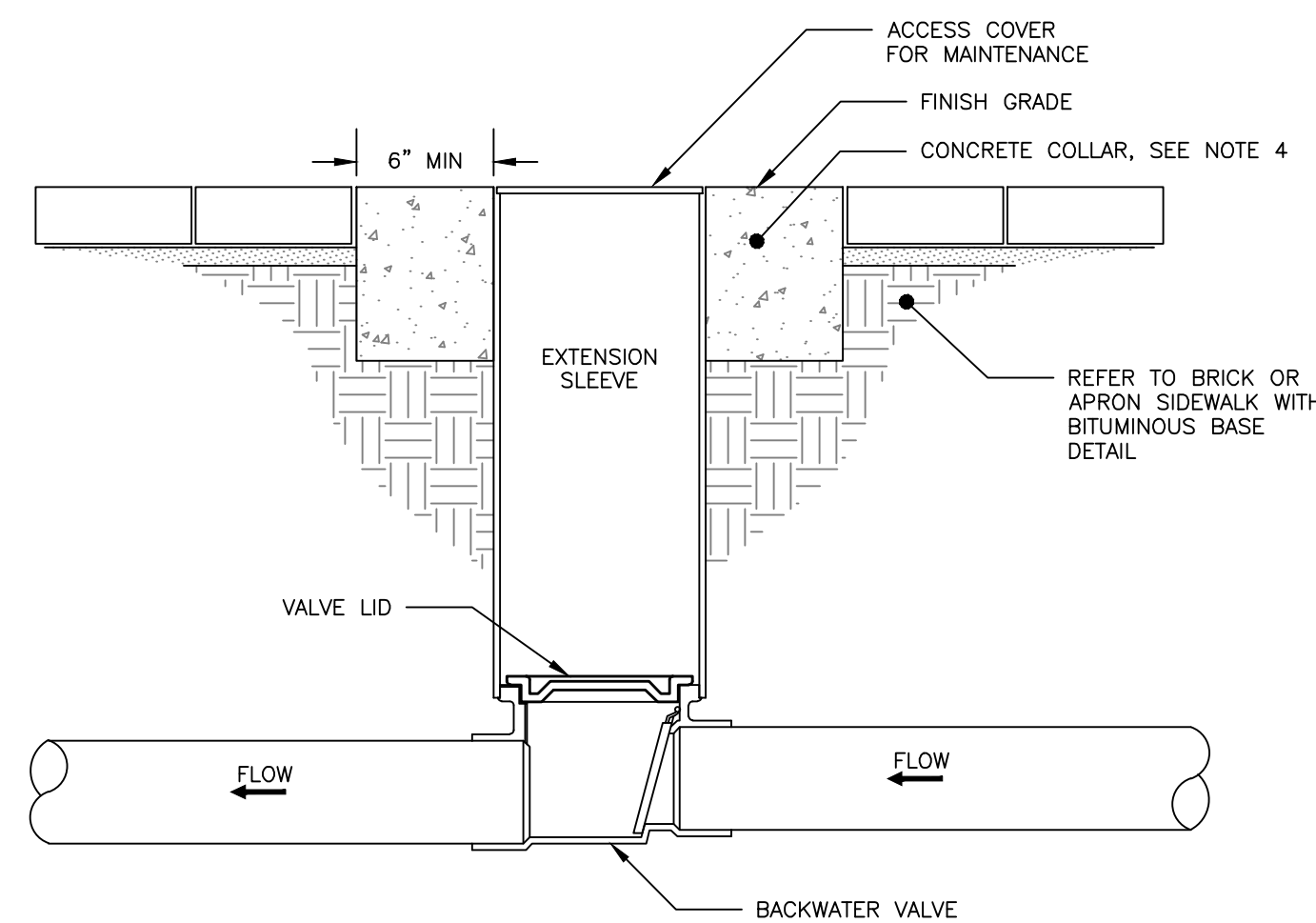


ISSUED FOR	BY
PRELIM APP	WHS
DATE	3/28/17
FINAL APP.	WHS
DATE	3/27/17

DRAWING NAME: UTILITY DETAILS  
PROJECT NAME: 155 SHERIDAN STREET  
CLIENT: VAZZA REAL ESTATE GROUP  
BD SHERIDAN, LLC  
1266 FURNACE BROOK PARKWAY, SUITE 300 QUINCY, MA 02169

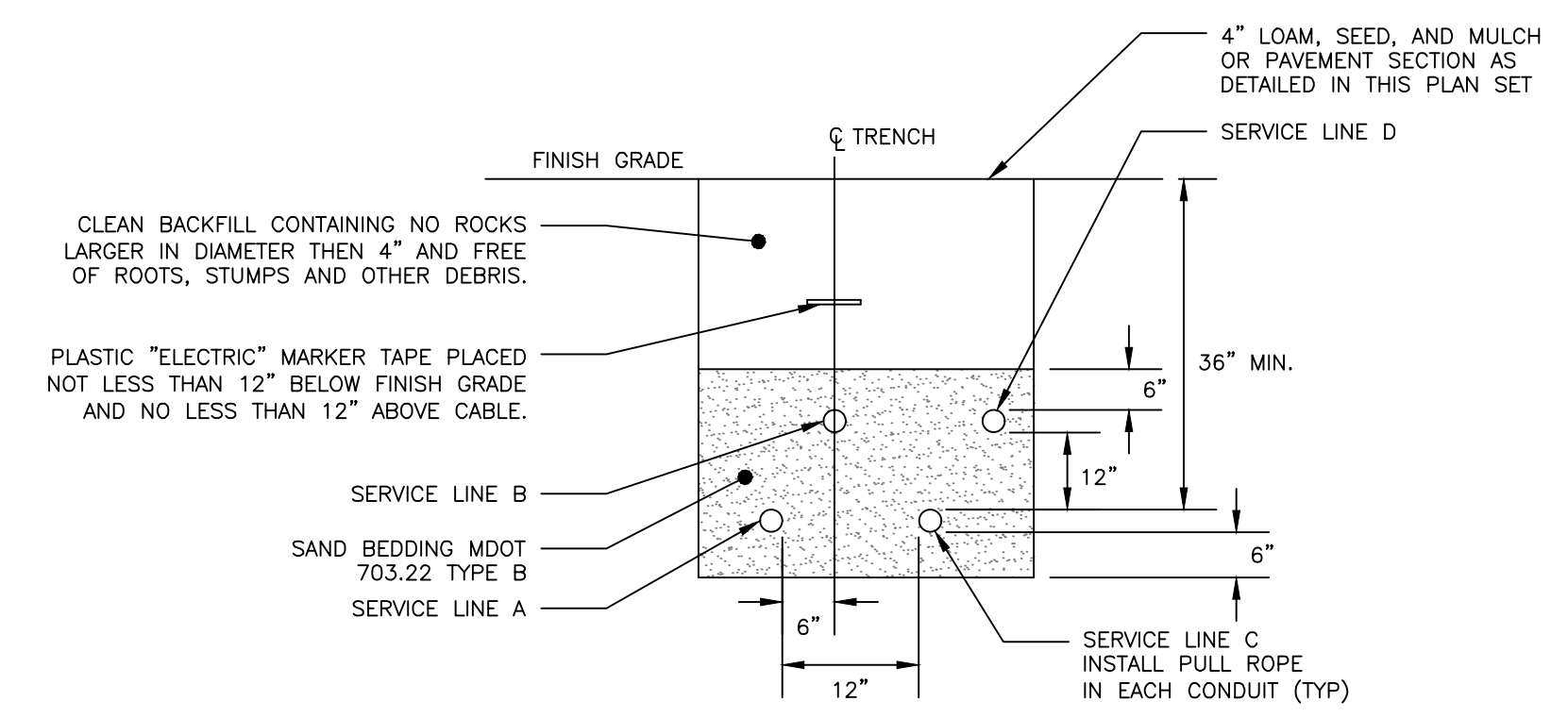


VALVE BOX & COVER  
NOT TO SCALE



- NOTES:
1. BACKFLOW VALVE TO BE PROVIDED BY AGRI DRAIN CORPORATION OR AN APPROVED EQUAL.
  2. VALVE TO BE INSTALLED TO MANUFACTURER'S SPECIFICATIONS AND COMPLY WITH RULES AND REGULATIONS AS OUTLINED IN SECTION 2 OF THE CITY OF PORTLAND TECHNICAL MANUAL.
  3. VALVE SHALL BE INSTALLED WITH A VALVE BOX AND COVER TO PROVIDE EASY ACCESS AND MAINTENANCE; VALVE COVER SHALL STATE 'SEWER' ON LID FLUSH TO SURFACE. REFER TO VALVE & BOX COVER DETAIL FOR ADDITIONAL INFORMATION.
  4. CONCRETE COLLAR AT A MINIMUM 24-HOUR COMPRESSIVE STRENGTH OF 3,000 PSI.

BACKFLOW VALVE ASSEMBLY  
NOT TO SCALE



SERVICE	CONDUIT TYPE			REMARKS
	CONDUIT SIZE	GRASS AND PAVED AREAS	UTILITY	
A	2-5"	SCHEDULE 40 PVC ELECTRICAL GRADE	PRIMARY POWER	SEE NOTE 1
B	2-4"	SCHEDULE 40 PVC	COMMUNICATION	-
C	2-4"	SCHEDULE 40 PVC ELECTRICAL GRADE	SPARE	IF REQUIRED
D	2-4"	SCHEDULE 40 PVC	CABLE	-

- NOTES:
1. ONE CONDUIT CAPPED FOR SPARE, PROVIDE GALVANIZED STEEL LONG SWEEP AT RISER POLE AND EXTEND GALVANIZED CONDUIT TO 10" ABOVE GRADE AT POLE WITH STAND-OFF BRACKETS.
  2. MINIMUM SEPARATION OF 24 INCHES BETWEEN PRIMARY CABLE/CONDUIT AND GAS LINES SHALL BE MAINTAINED.

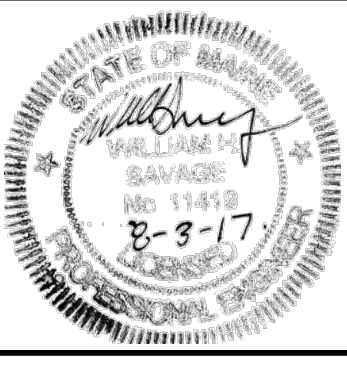
UTILITY TRENCH - PRIMARY AND SECONDARY POWER, TELEPHONE, AND CABLE

NOT TO SCALE

FINAL  
NOT ISSUED FOR  
CONSTRUCTION

ACORN ENGINEERING, INC.  
ENGINEERING, INC.  
158 BANKFOOT ST. PORTLAND, MAINE 04102  
(207) 775-2655

FILE: CIVIL\_1069  
JN: 1069  
SCALE: NTS  
DESIGNED BY: WHS  
DRAWN BY: SJL  
CHECKED BY: WHS



DRAWING NO.  
**C-42**