



© 2017 RYAN SENATORE ARCHITECTURE

RESIDENCES
155 SHERIDAN STREET
PORTLAND, MAINE



RYAN SENATORE
ARCHITECTURE
565 CONGRESS STREET
PORTLAND, MAINE 04101
207-650-6414
senatorearchitecture.com

CONSULTANTS:
Structural Integrity
77 Oak Street
Portland, ME 04101
207-774-4814

REVISIONS:

DATE: JANUARY 16, 2018

PROJECT No. 1604

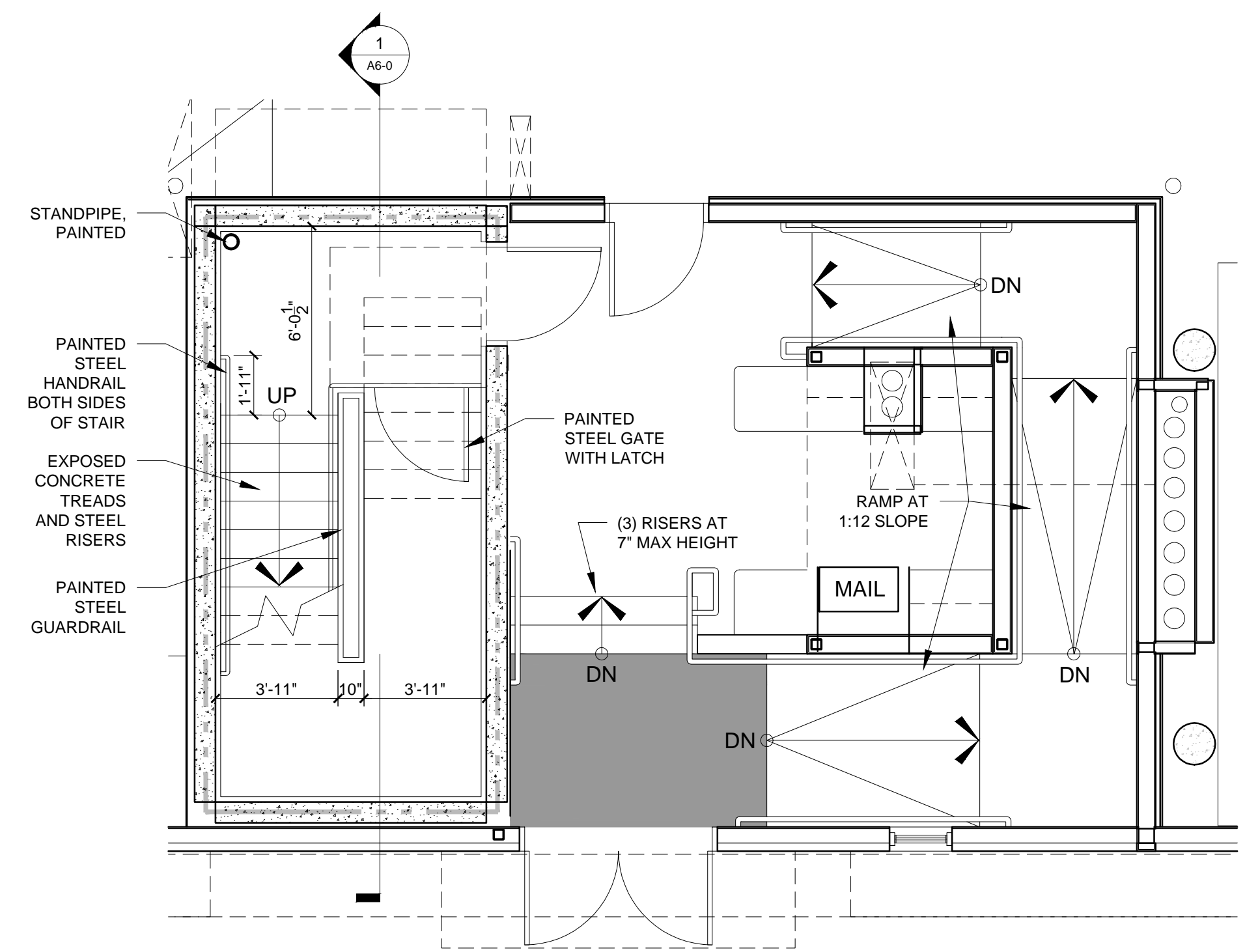
DRAWN BY: RRT, RJS

CHECKED BY: RJS

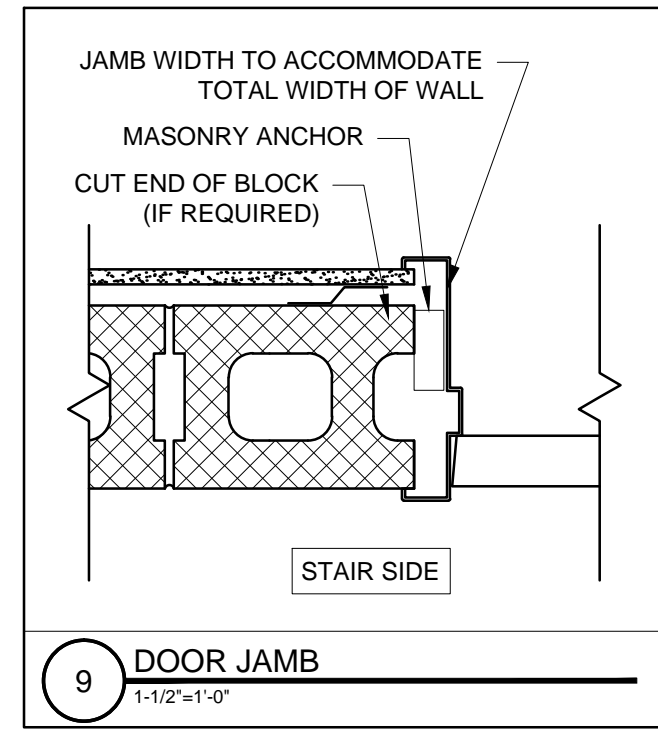
SCALE: AS NOTED

SHEET TITLE:
STAIR 001

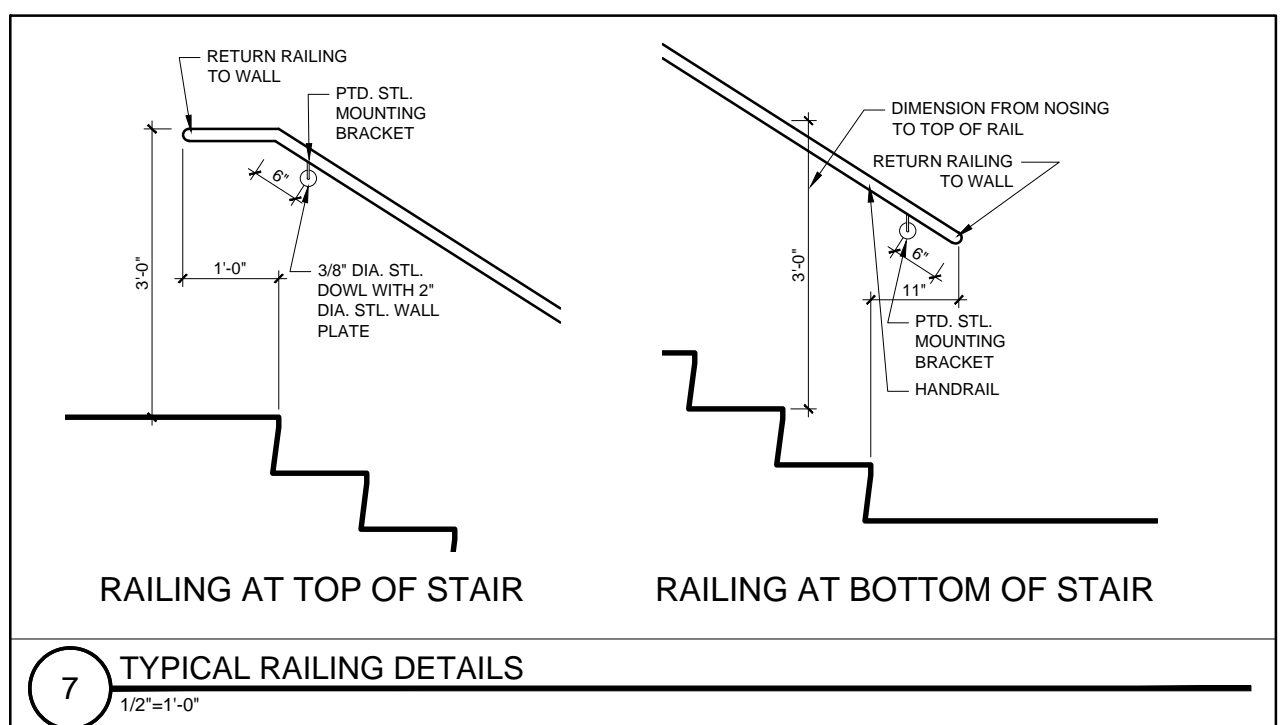
A6-0



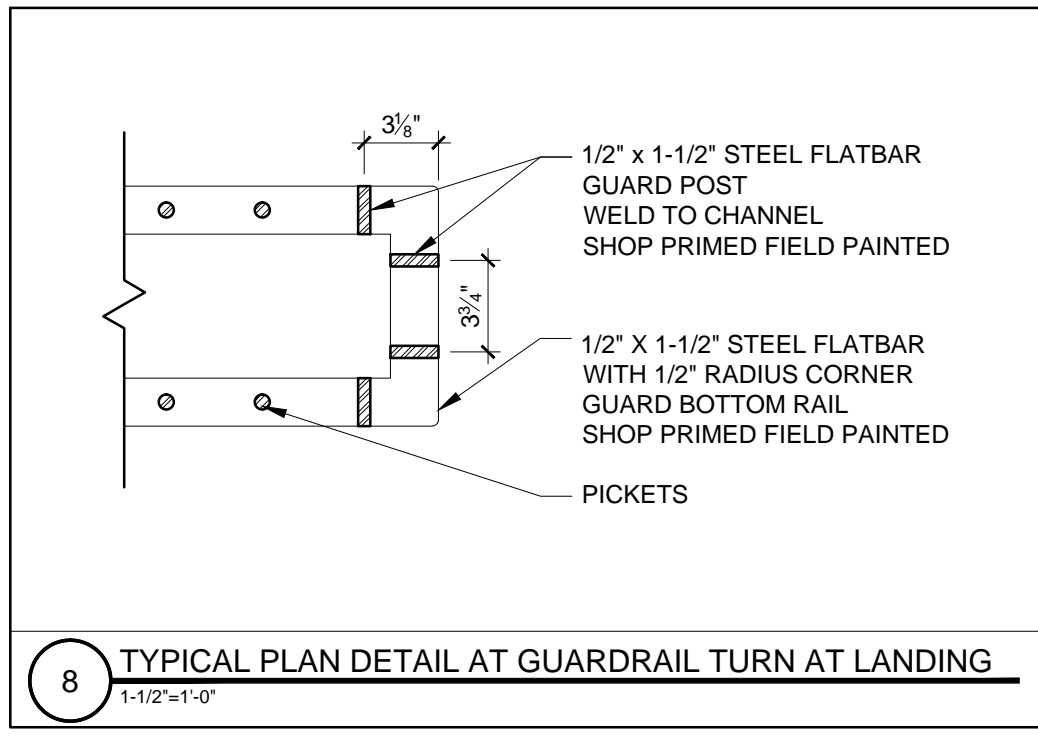
2 STAIR 001 - FIRST FLOOR PLAN
1/4" = 1'-0"



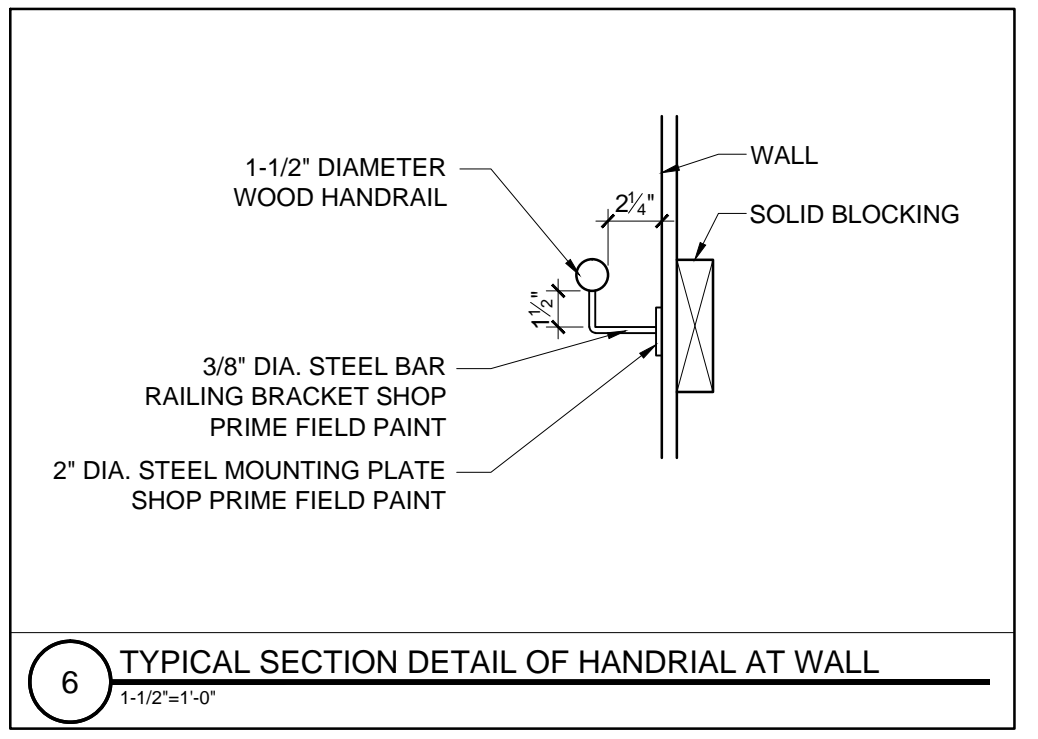
9 DOOR JAMB
1-1/2" = 1'-0"



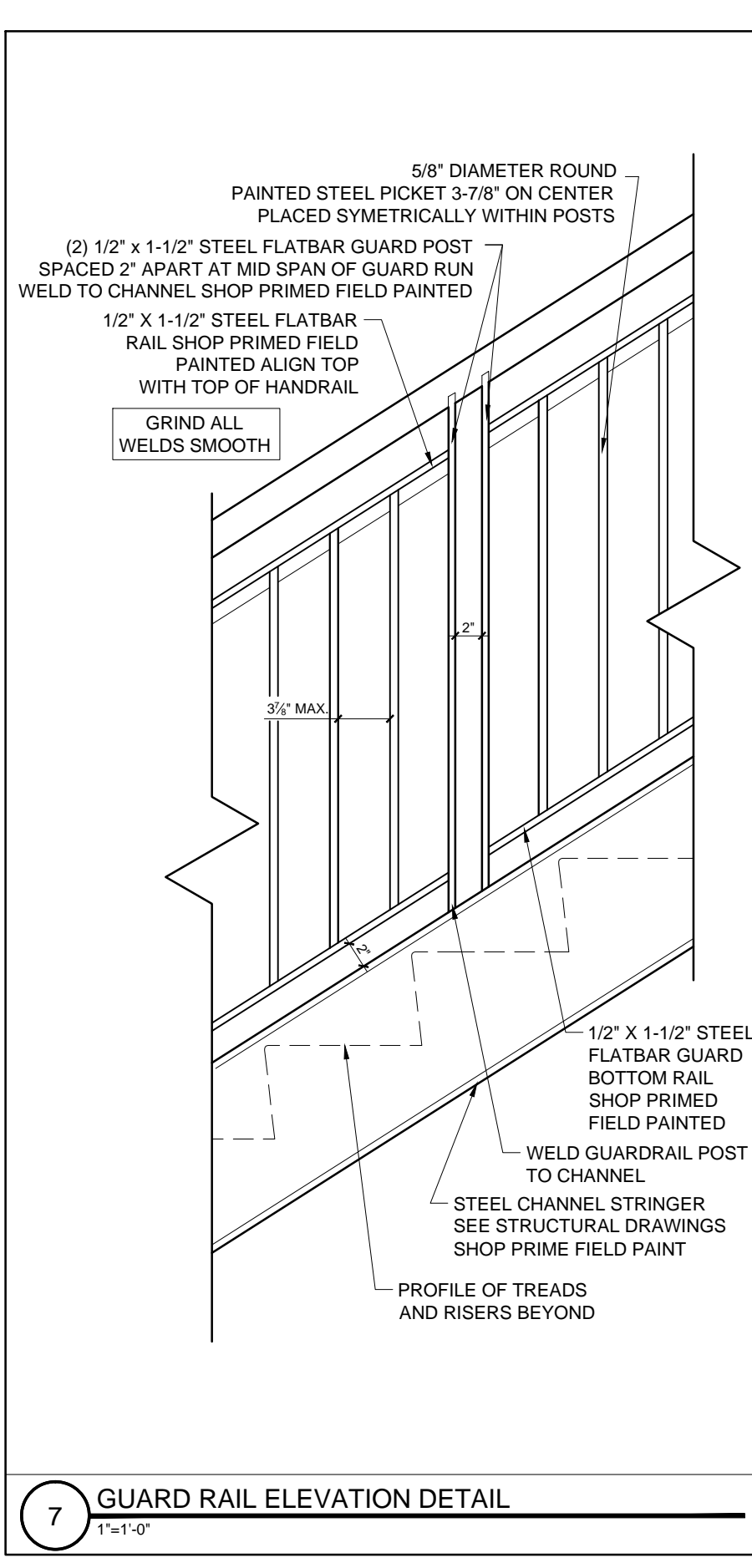
7 TYPICAL RAILING DETAILS
1/2" = 1'-0"



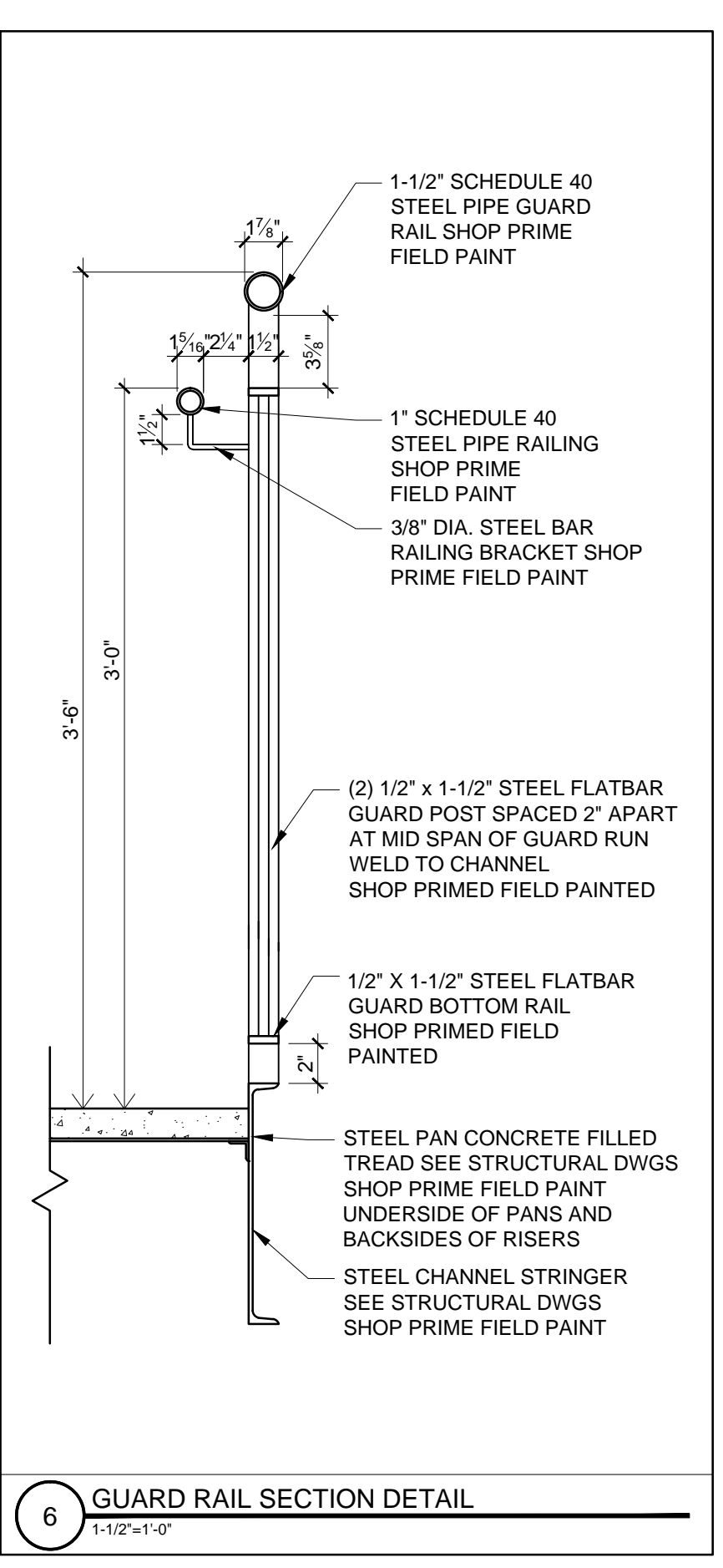
8 TYPICAL PLAN DETAIL AT GUARDRAIL TURN AT LANDING
1-1/2" = 1'-0"



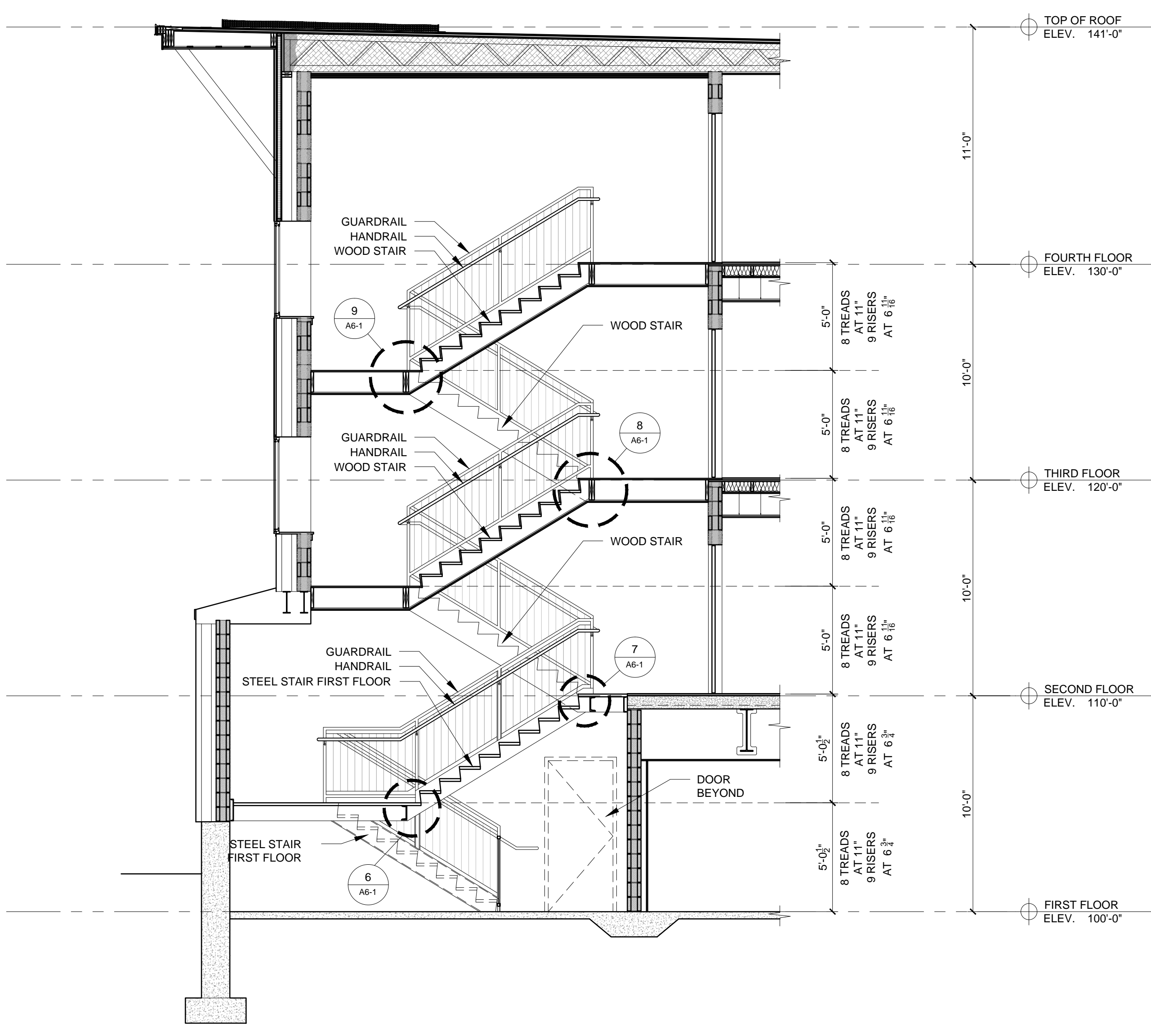
6 TYPICAL SECTION DETAIL OF HANDRIAL AT WALL
1-1/2" = 1'-0"



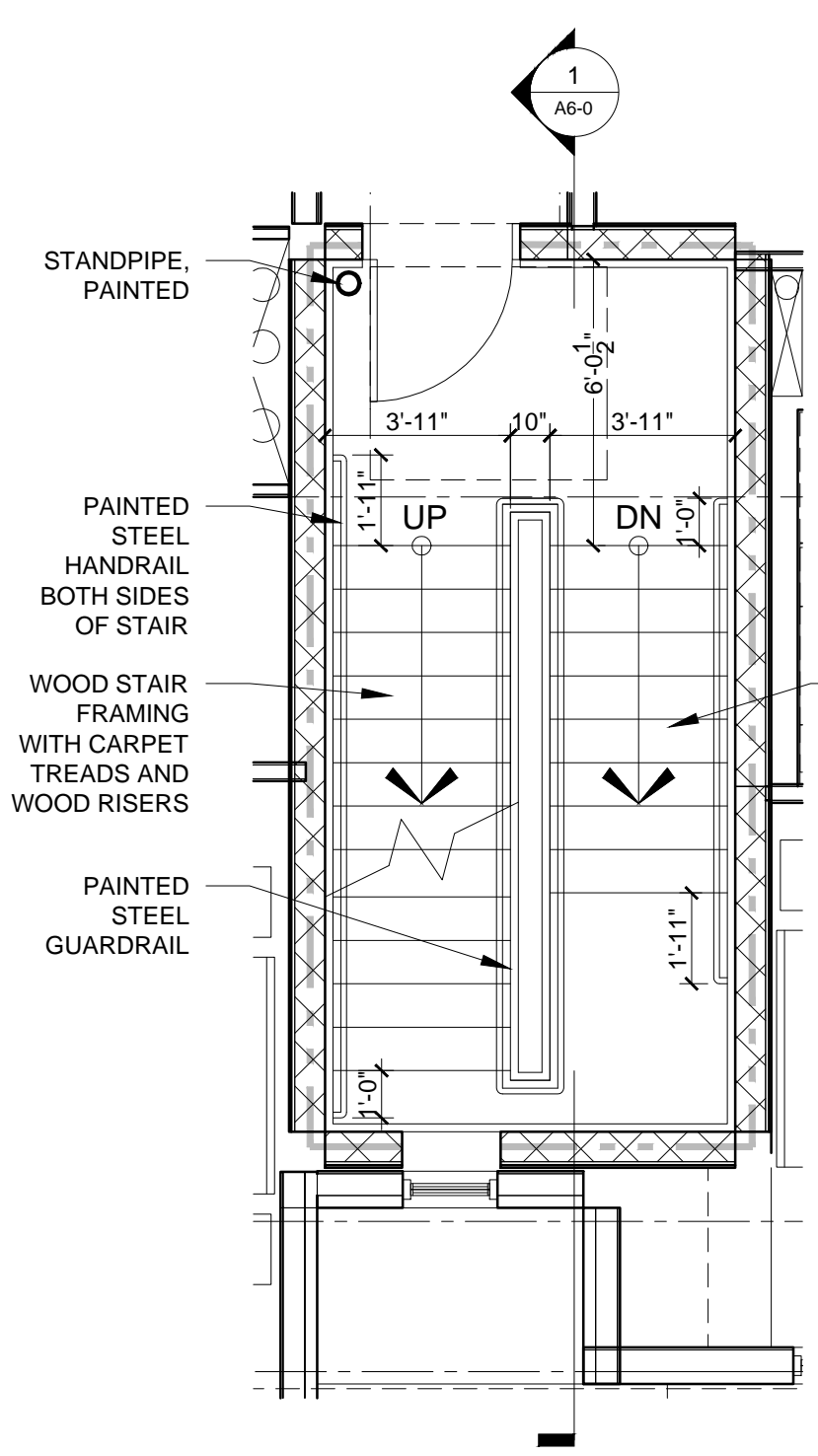
7 GUARD RAIL ELEVATION DETAIL
1" = 1'-0"



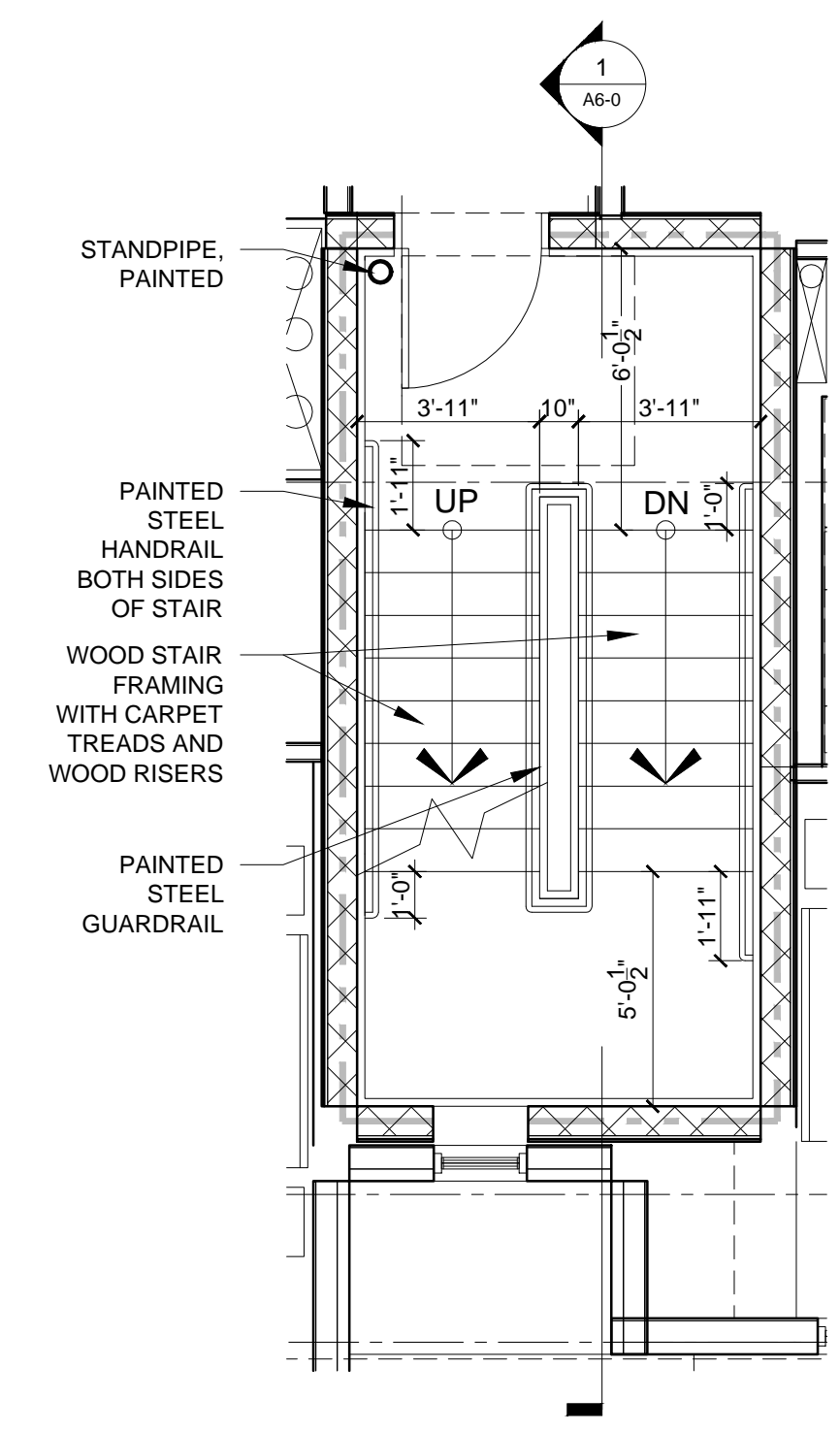
6 GUARD RAIL SECTION DETAIL
1-1/2" = 1'-0"



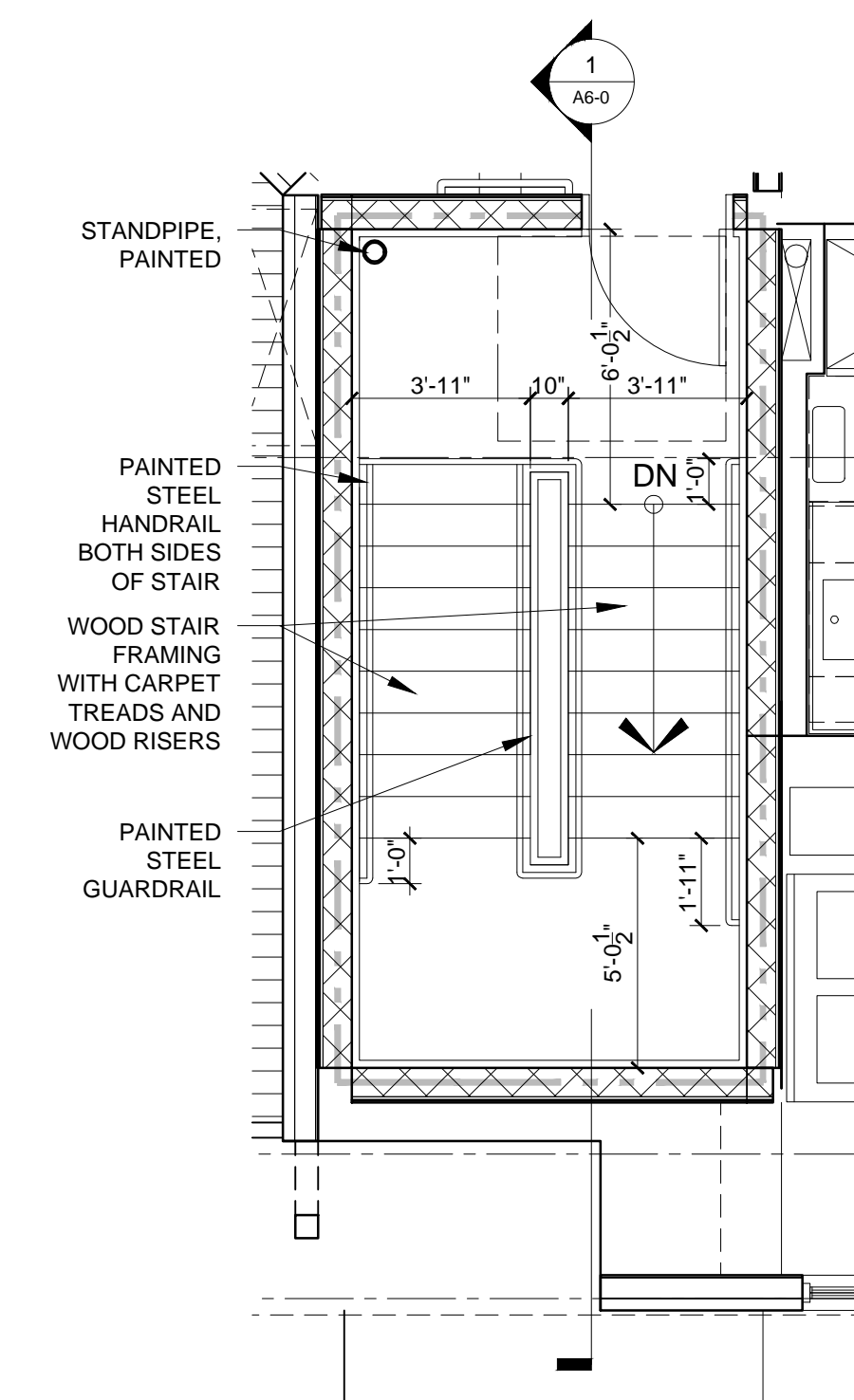
1 STAIR 001 SECTION
1/4" = 1'-0"



3 STAIR 001 - SECOND FLOOR PLAN
1/4" = 1'-0"



4 STAIR 001 - THIRD FLOOR PLAN
1/4" = 1'-0"



5 STAIR 001 - FOURTH FLOOR PLAN
1/4" = 1'-0"