



© 2017 RYAN SENATORE ARCHITECTURE

RESIDENCES
155 SHERIDAN STREET
PORTLAND, MAINE



RYAN SENATORE ARCHITECTURE
565 CONGRESS STREET
PORTLAND, MAINE 04101
207-650-6414
senatorearchitecture.com

CONSULTANTS:
STRUCTURAL:
Structural Integrity
77 Oak Street
Portland, ME 04101
207-774-4814

REVISIONS:

DATE: JANUARY 16, 2018

PROJECT No. 1604

DRAWN BY: RRT, RJS

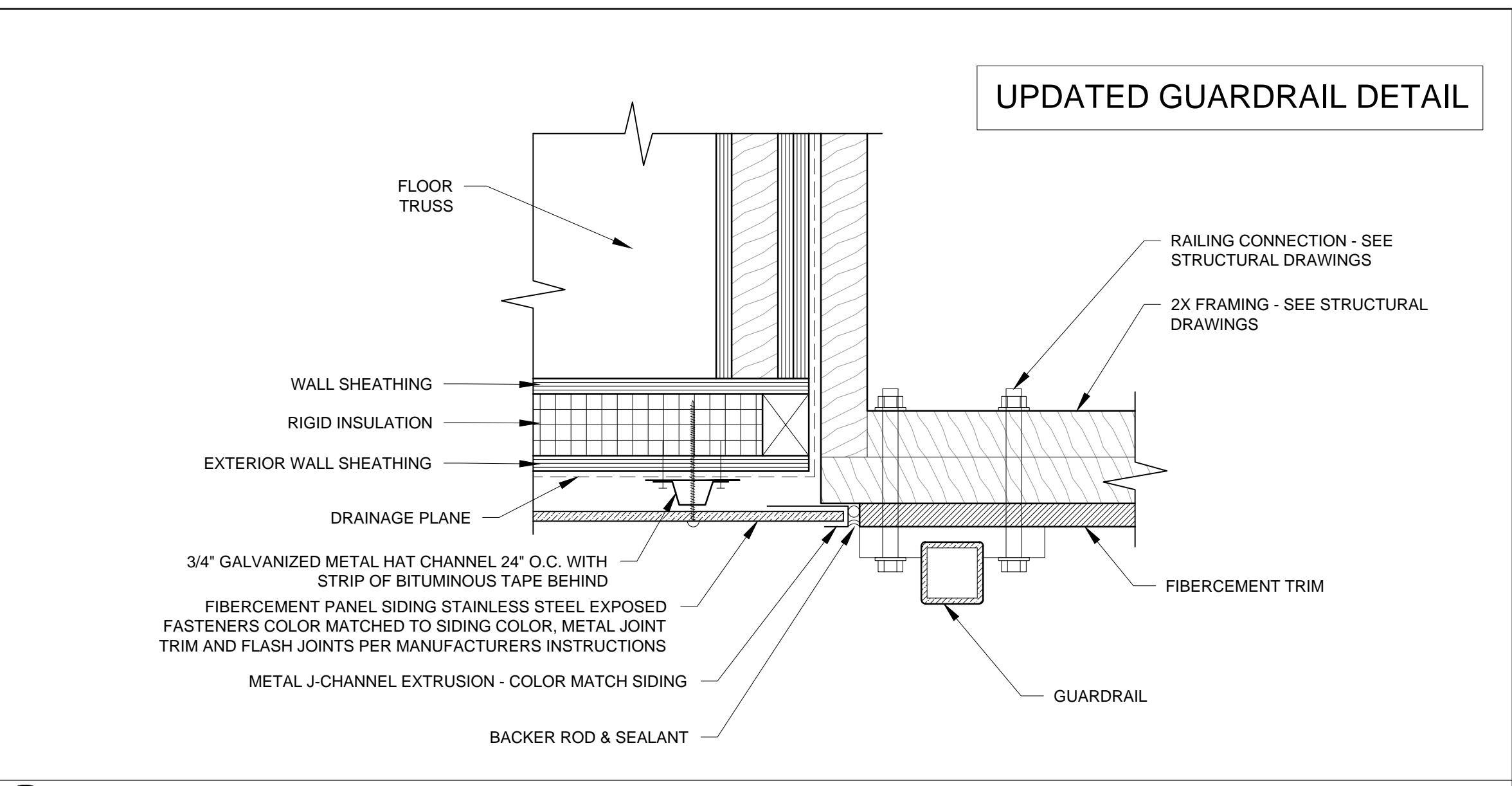
CHECKED BY: RJS

SCALE: AS NOTED

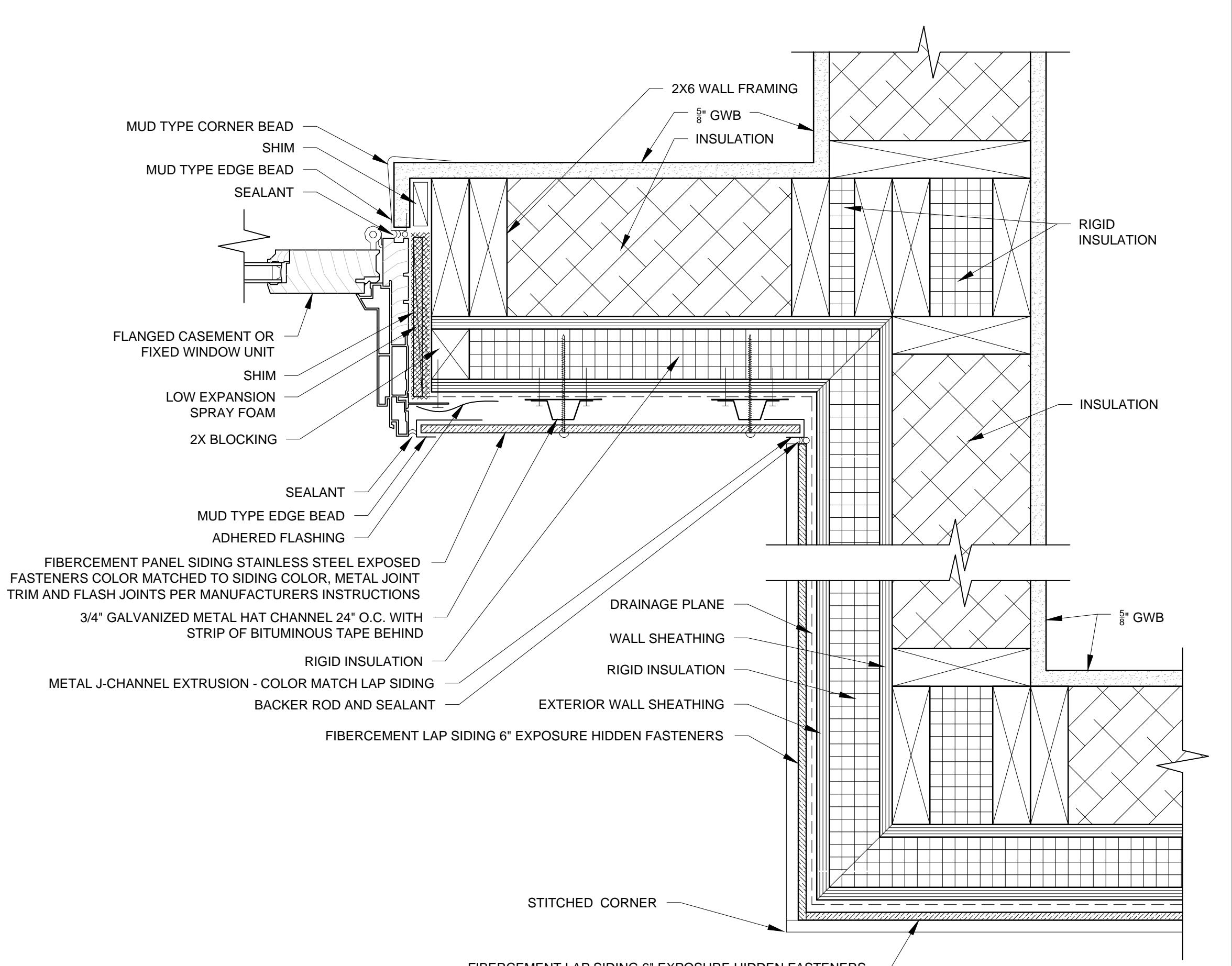
SHEET TITLE:
DETAILS

A5-20

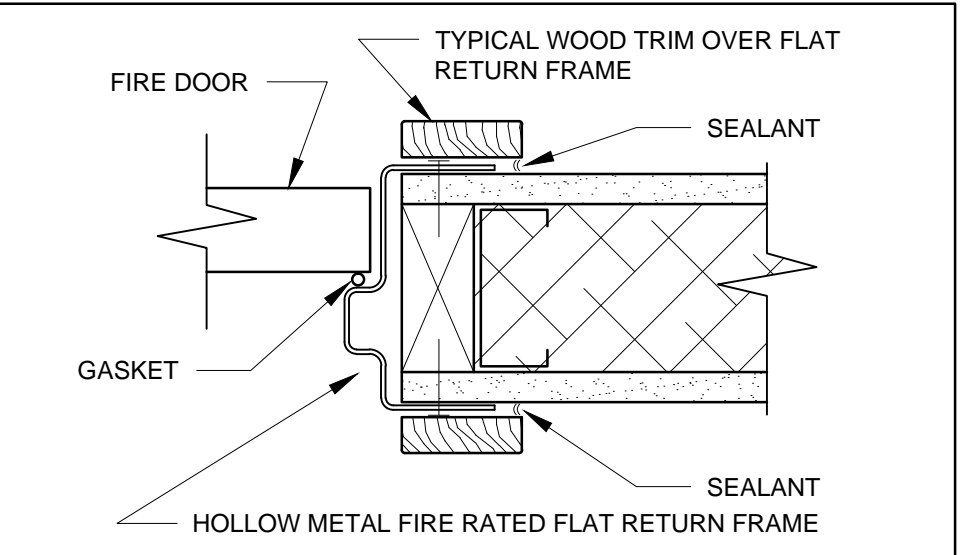
UPDATED GUARDRAIL DETAIL



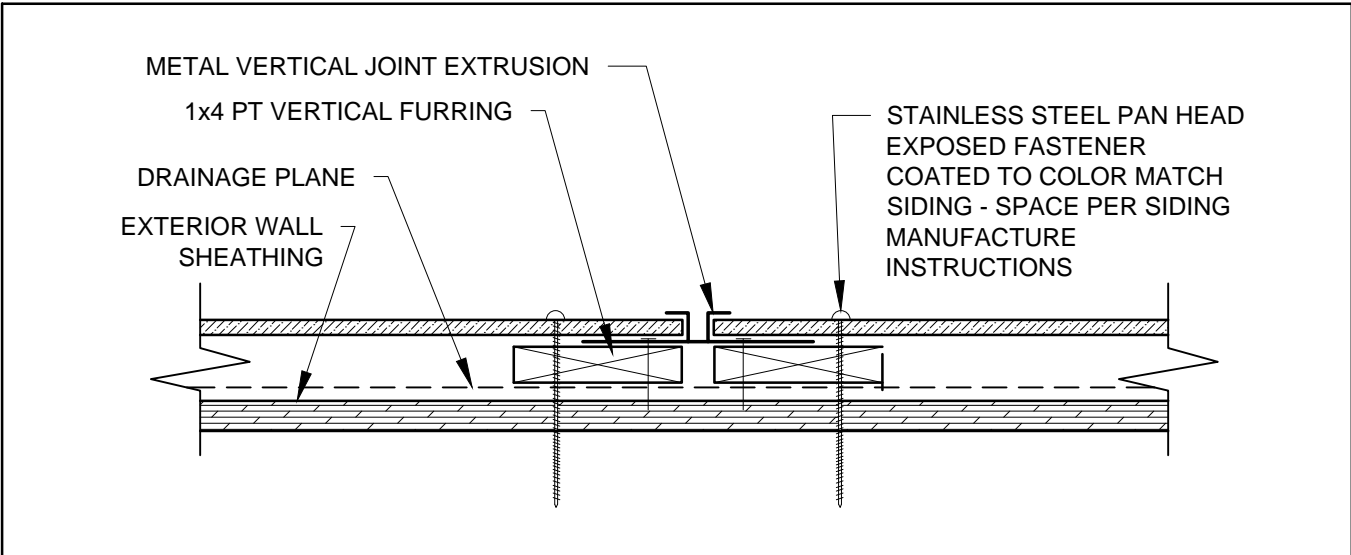
8 PLAN DETAIL AT BALCONY AND BUMP OUT CONNECTION
3" = 1'-0"



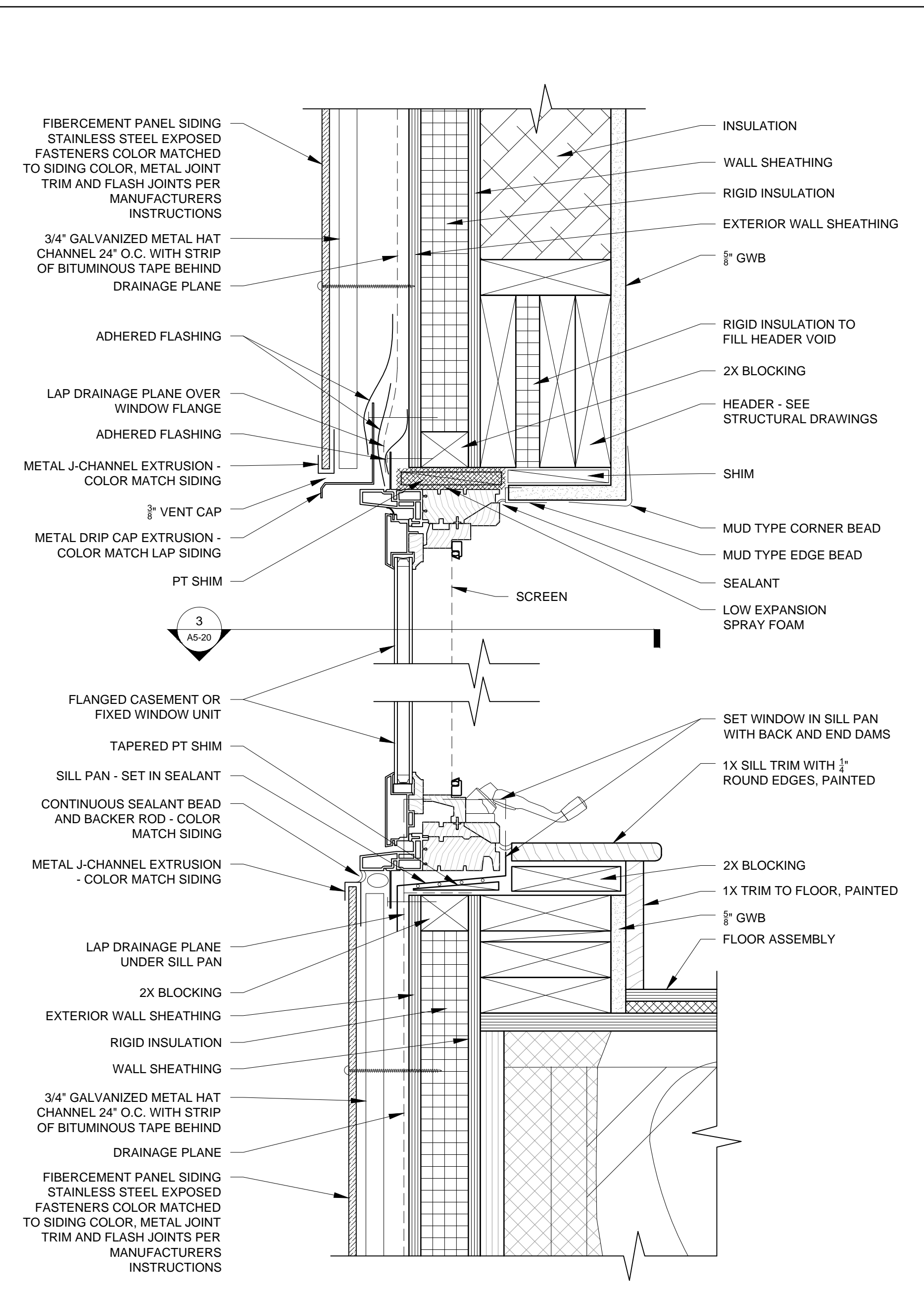
7 PLAN DETAIL AT PANEL TO LAP CORNER AT BALCONIES
3" = 1'-0"



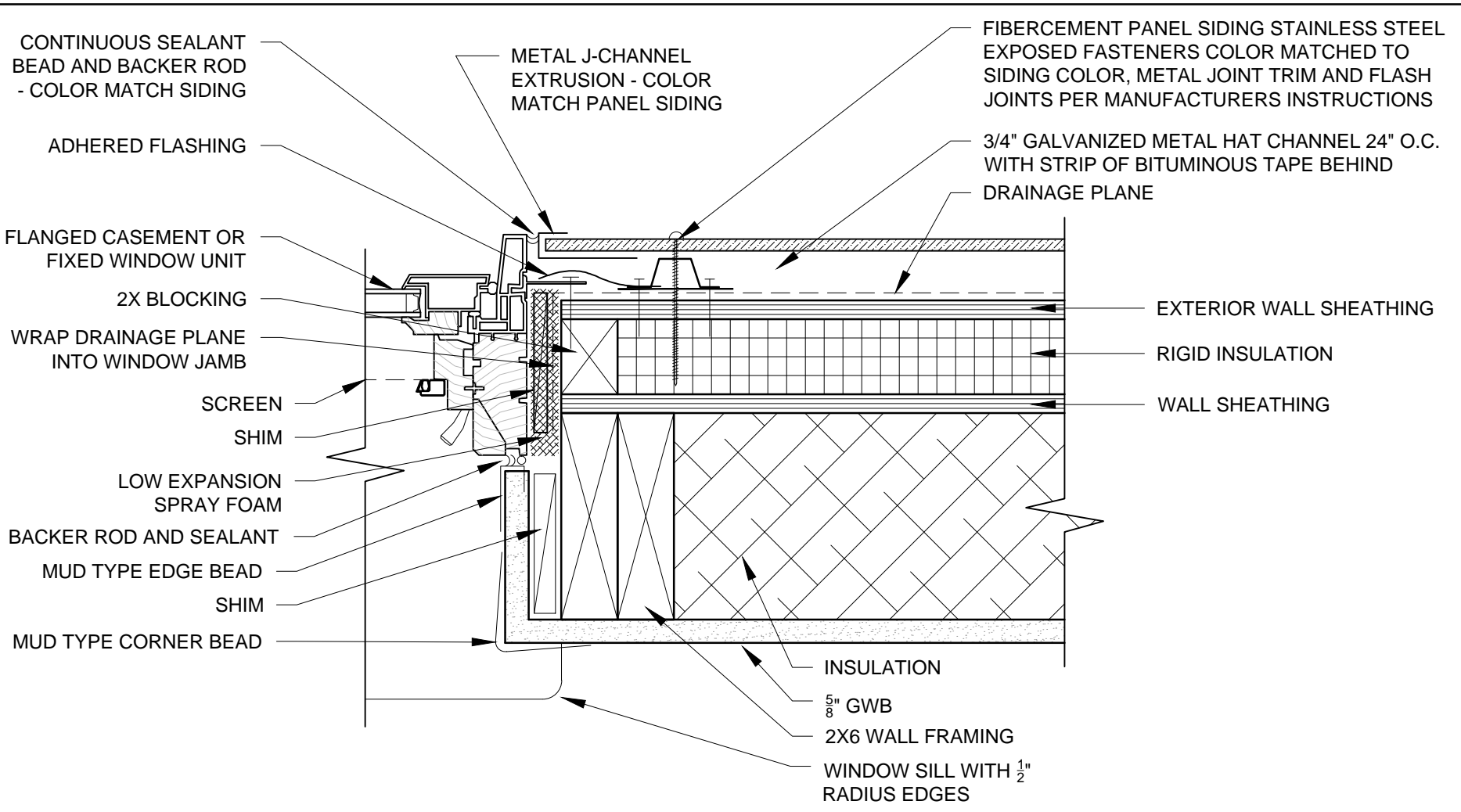
6 TYPICAL INTERIOR DOOR JAMB AT DOOR TO GARAGE
3" = 1'-0"



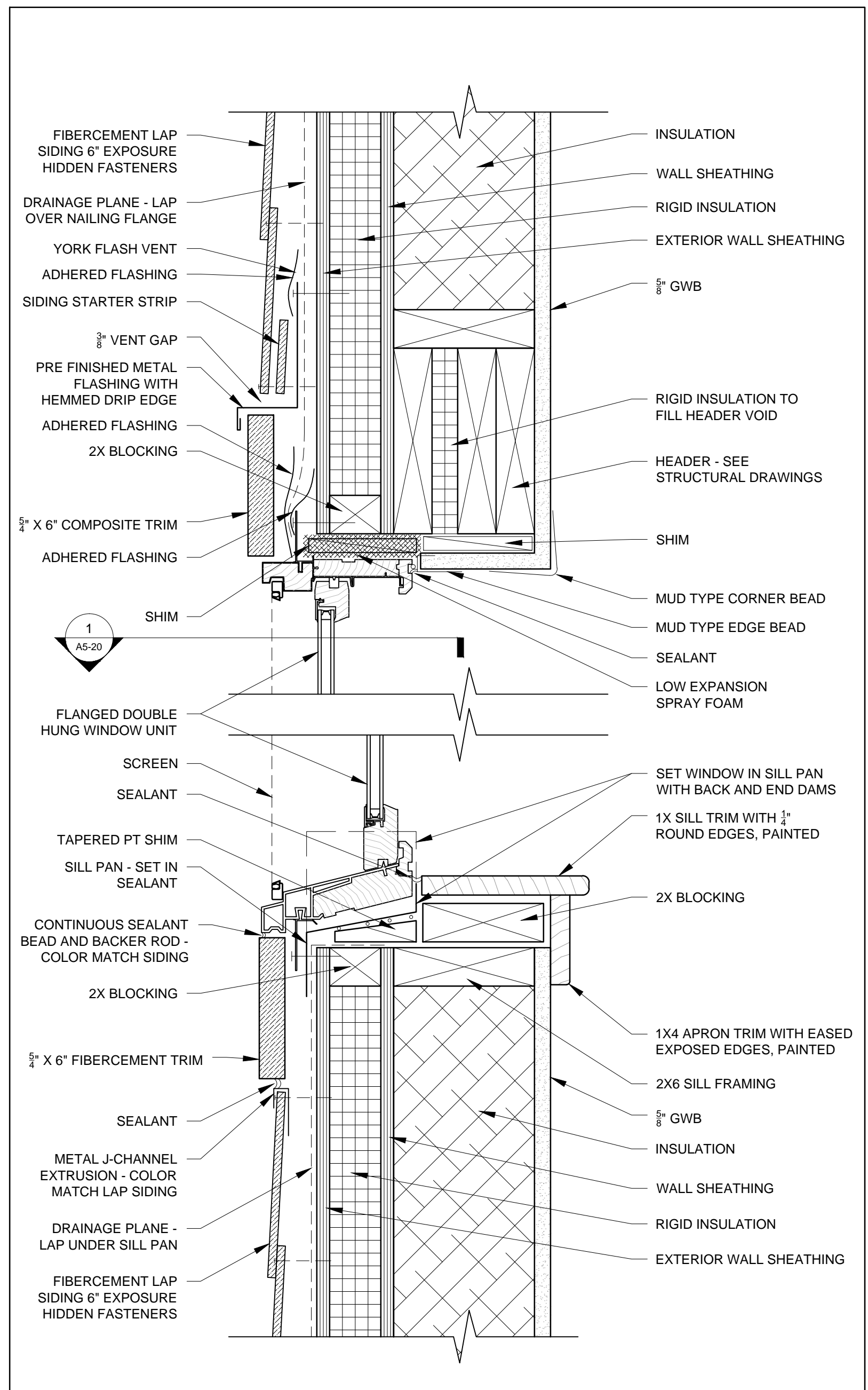
5 PLAN DETAIL AT FIBER CEMENT PANEL TO PANEL VERTICAL JOINT
3" = 1'-0"



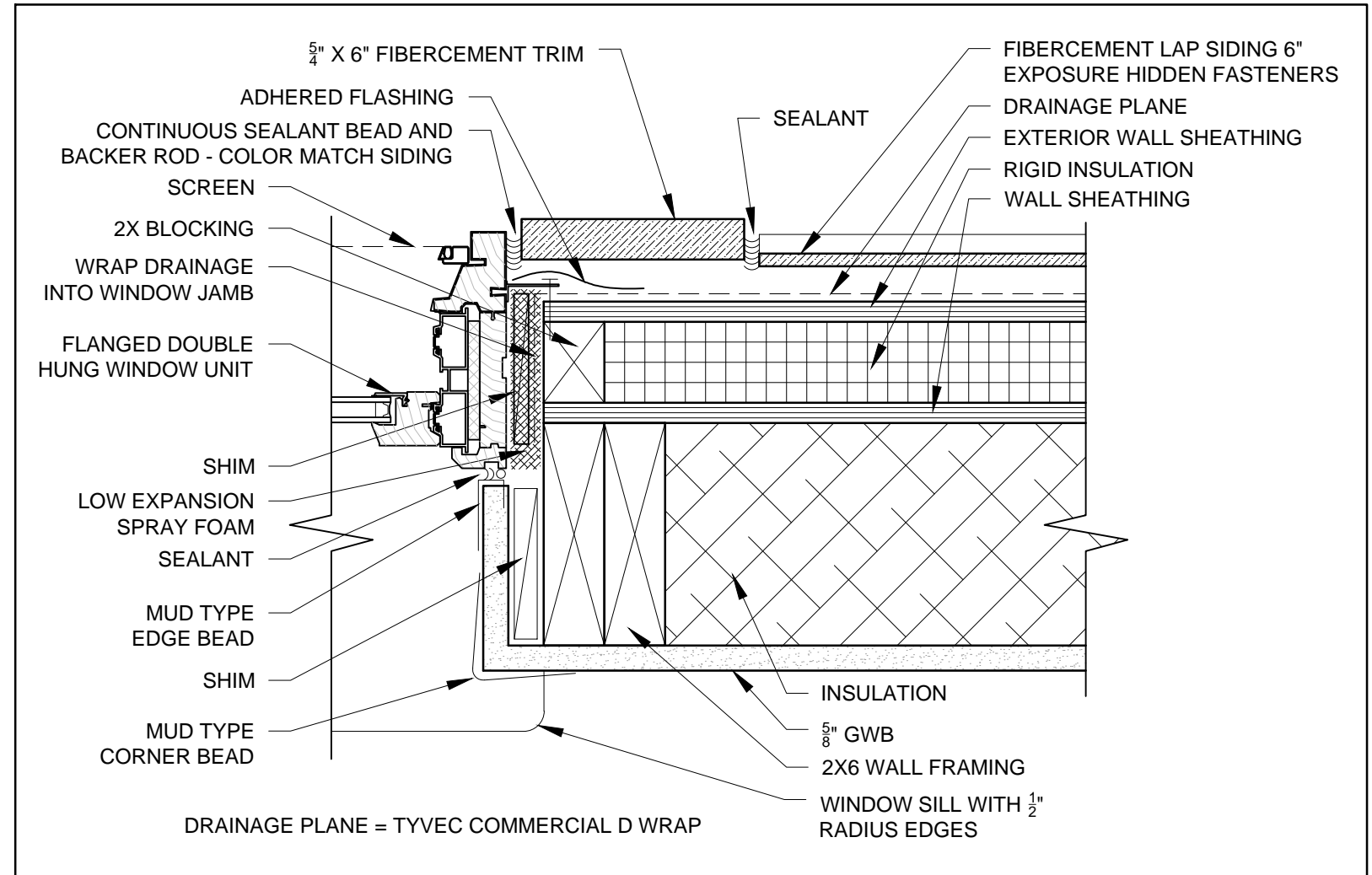
4 SECTION DETAIL AT FIXED / CASEMENT WINDOW HEAD AND SILL AT FIBER CEMENT PANEL SIDING
3" = 1'-0"



3 PLAN DETAIL AT FIXED / CASEMENT WINDOW JAMB AT FIBER CEMENT PANEL SIDING
3" = 1'-0"



2 SECTION DETAIL AT DOUBLE HUNG WINDOW HEAD AND SILL AT LAP SIDING
3" = 1'-0"



1 PLAN DETAIL AT DOUBLE HUNG WINDOW JAMB AT LAP SIDING
3" = 1'-0"