



© 2017 RYAN SENATORE ARCHITECTURE

RESIDENCES
155 SHERIDAN STREET
PORTLAND, MAINE



RYAN SENATORE
ARCHITECTURE
565 CONGRESS STREET
PORTLAND, MAINE 04101
207-650-6414
senatorearchitecture.com

CONSULTANTS:
Structural Integrity
77 Oak Street
Portland, ME 04101
207-774-4814

REVISIONS:

DATE: JANUARY 16, 2018

PROJECT No. 1604

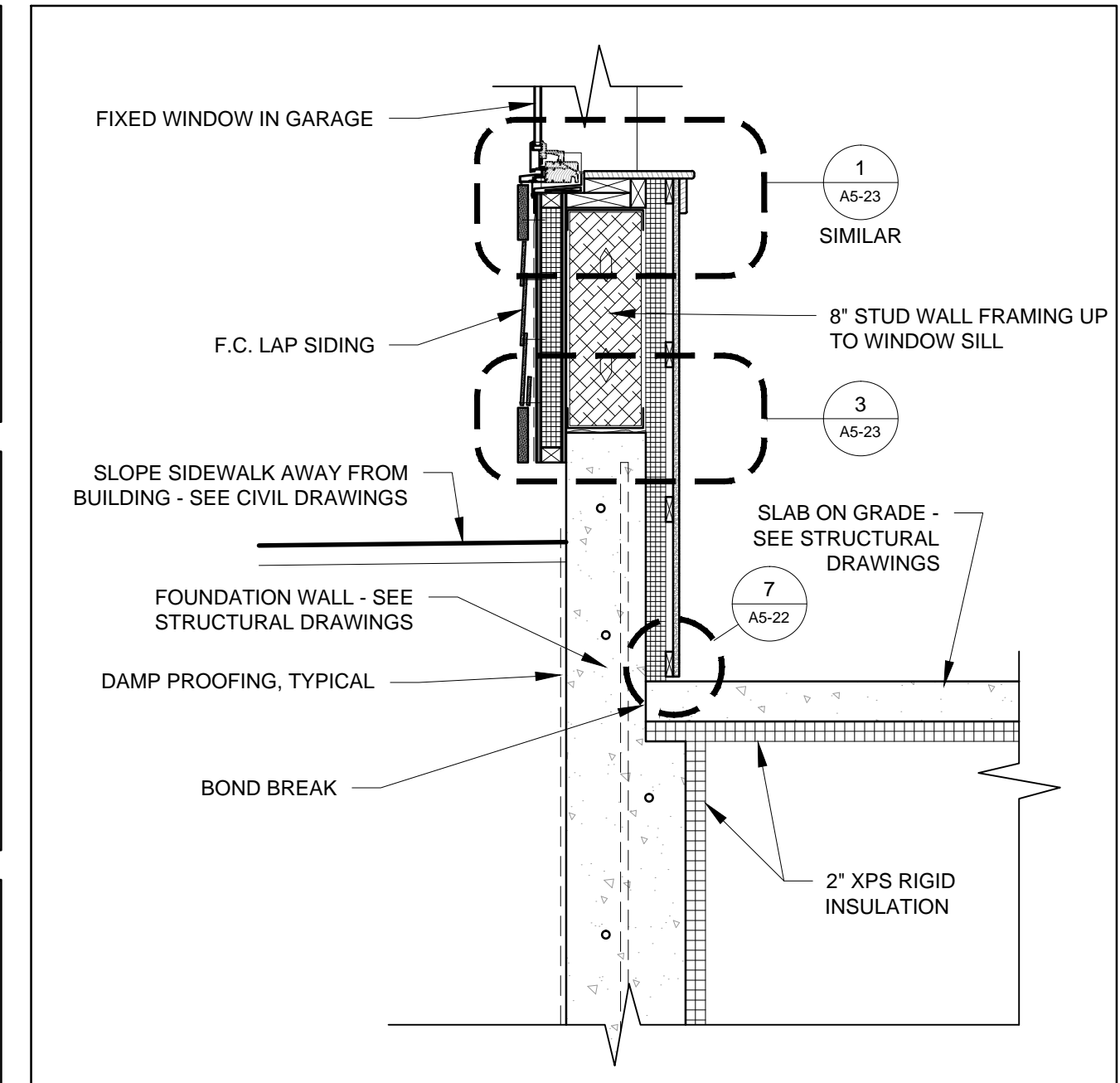
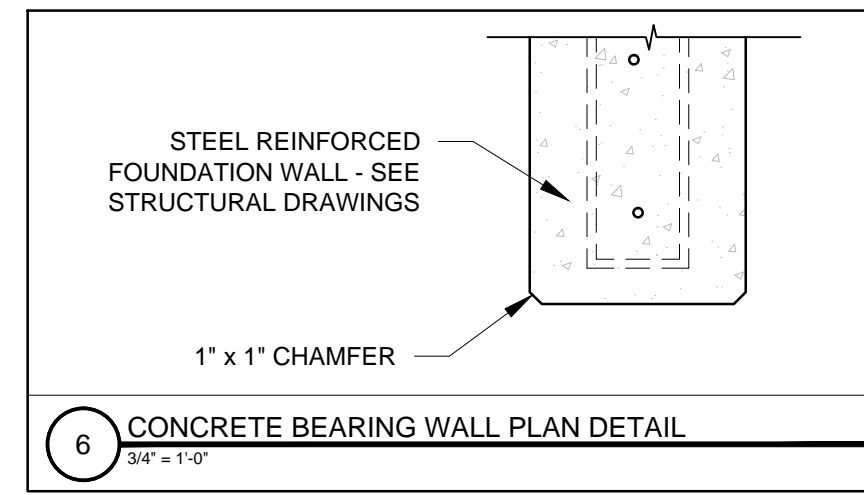
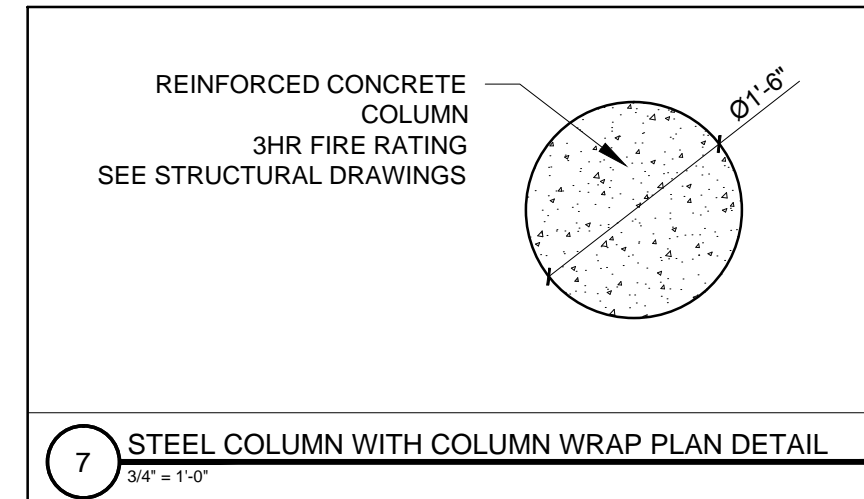
DRAWN BY: RRT, RJS

CHECKED BY: RJS

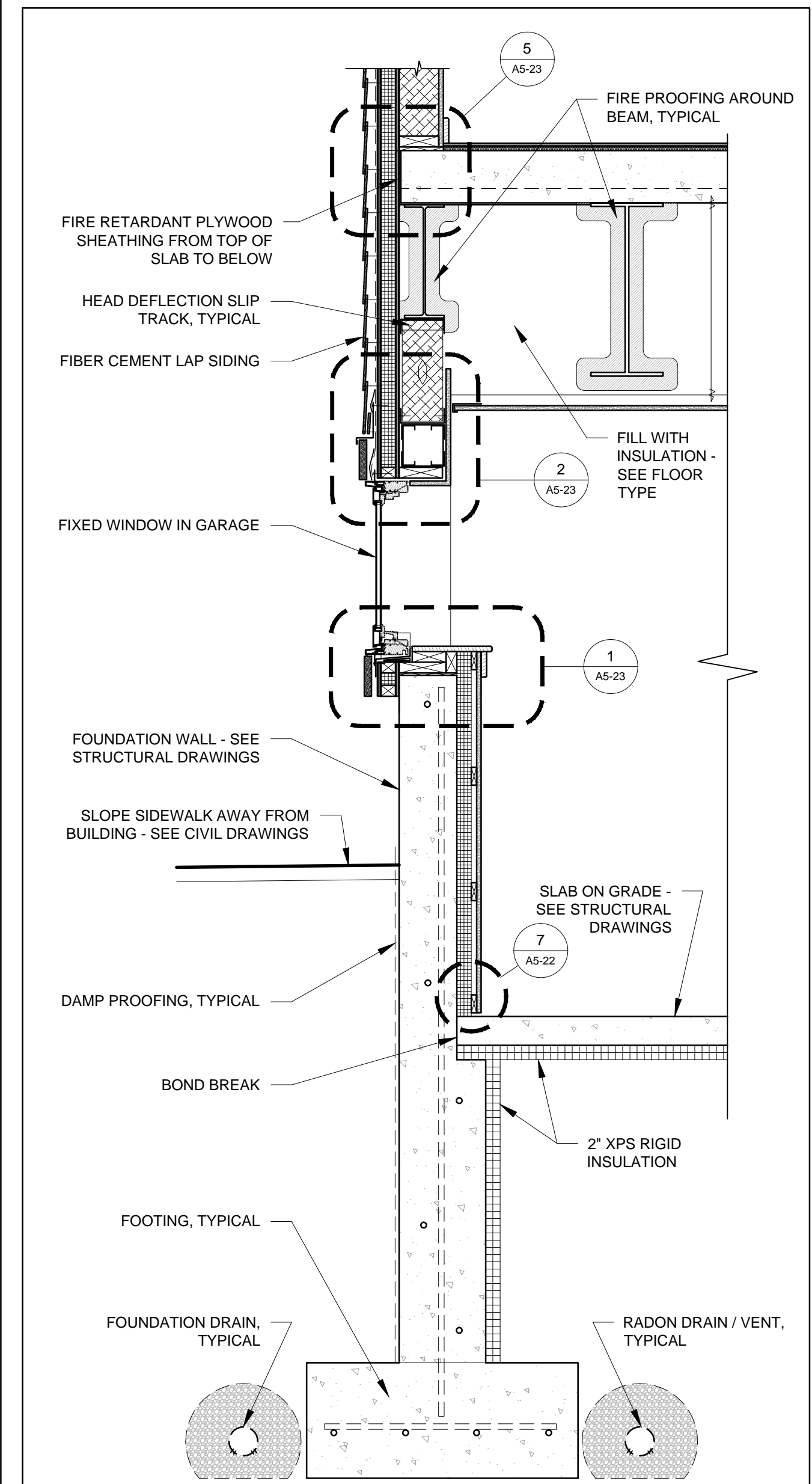
SCALE: AS NOTED

SHEET TITLE:
DETAILS

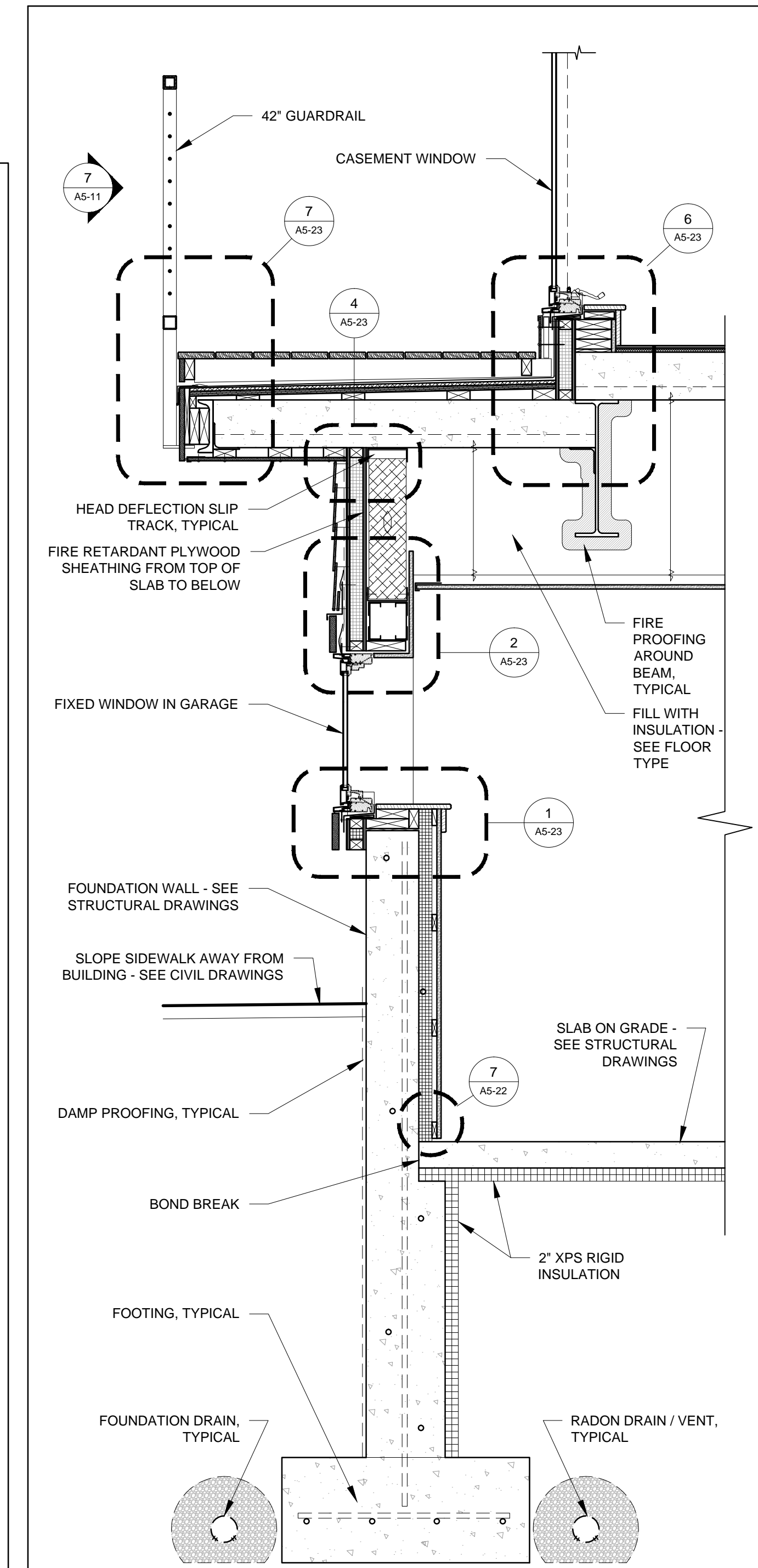
A5-0



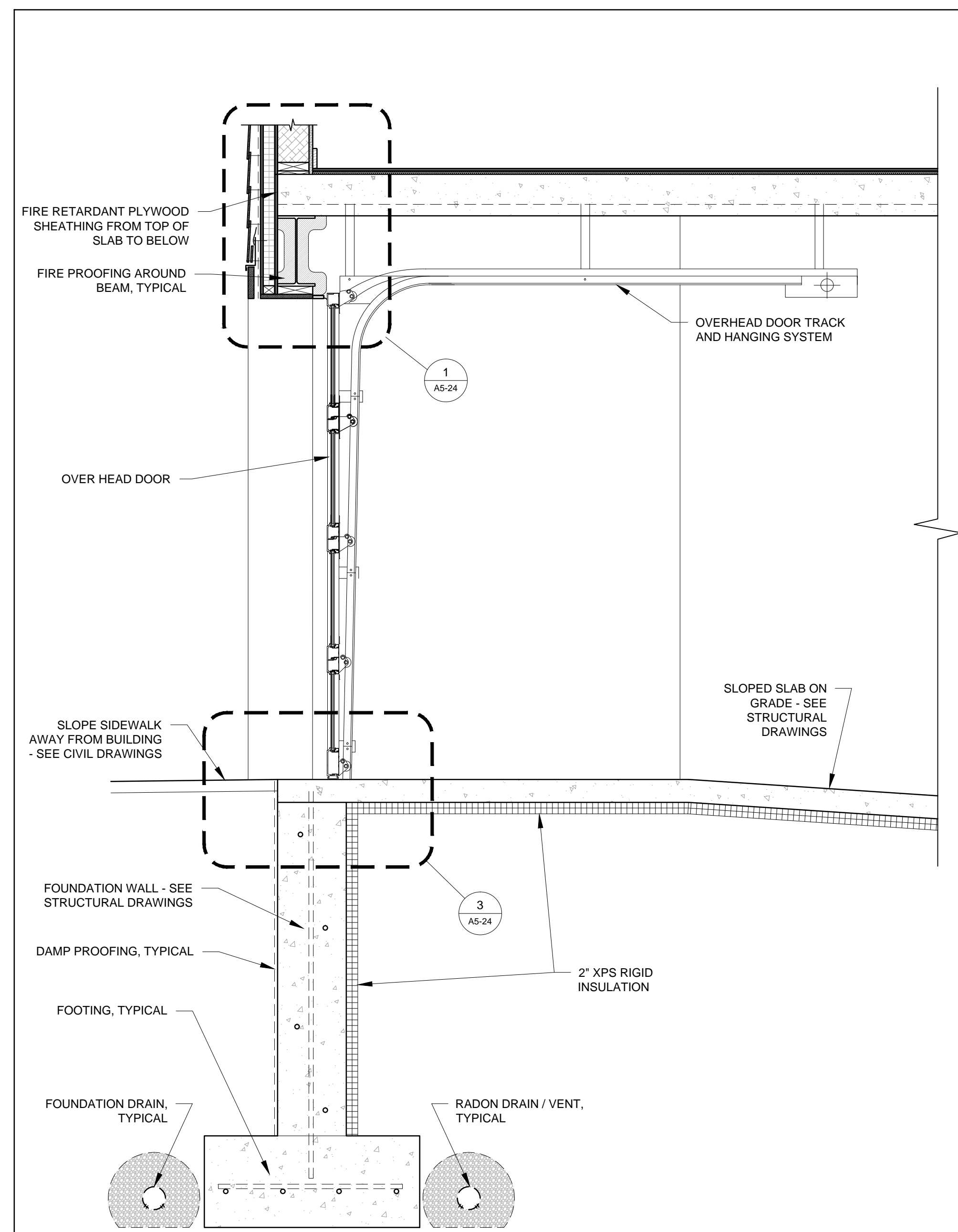
2 SECTION DETAIL AT FOUNDATION WALL AND GROUND FLOOR WINDOW
3/4" = 1'-0"



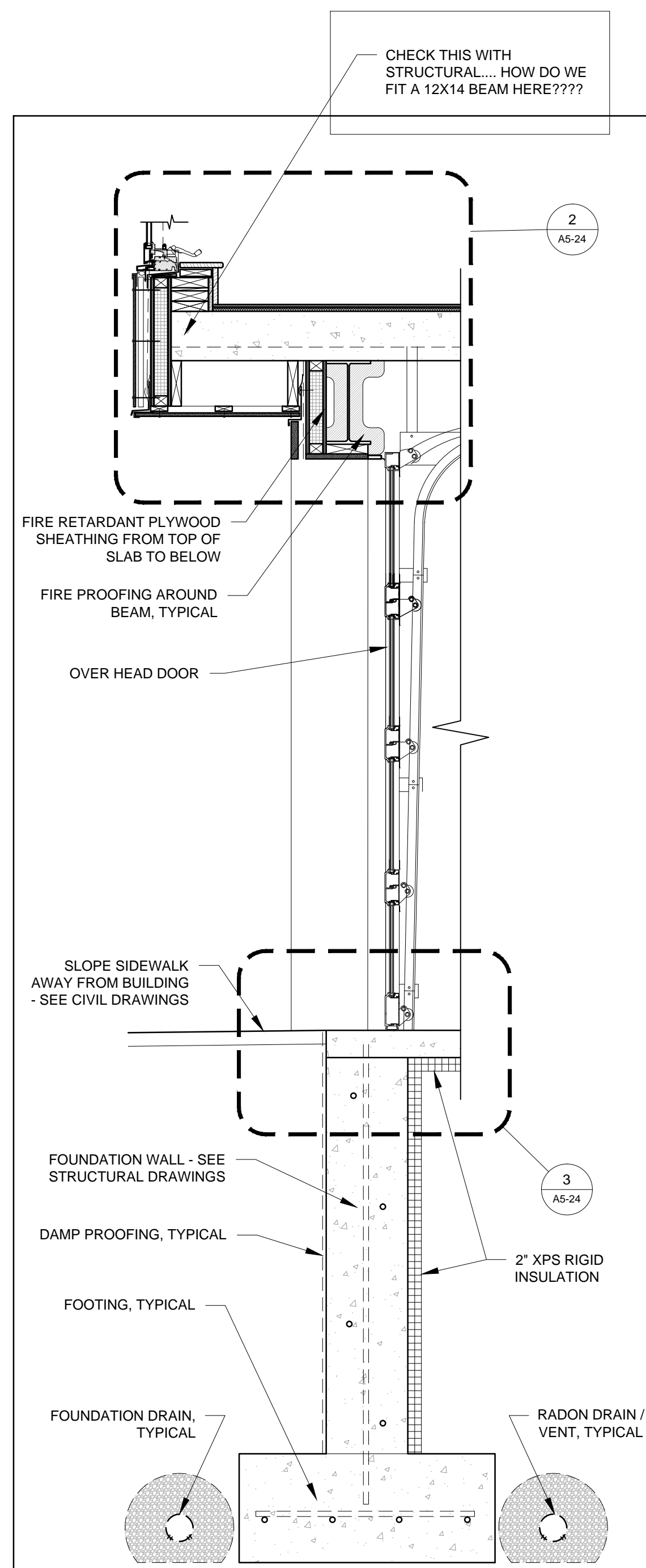
1 SECTION DETAIL AT FOUNDATION WALL AND GROUND FLOOR WINDOW
3/4" = 1'-0"



3 SECTION DETAIL AT FIRST FLOOR DECKS
3/4" = 1'-0"



4 SECTION DETAIL AT OVERHEAD DOOR
3/4" = 1'-0"



5 SECTION DETAIL AT OVERHEAD DOOR BELOW BUMP OUT
3/4" = 1'-0"

CHECK THIS WITH STRUCTURAL... HOW DO WE FIT A 12X14 BEAM HERE????