



© 2017 RYAN SENATORE ARCHITECTURE

RESIDENCES
155 SHERIDAN STREET
PORTLAND, MAINE



RYAN SENATORE ARCHITECTURE
565 CONGRESS STREET
PORTLAND, MAINE 04101
207-650-6414
senatorearchitecture.com

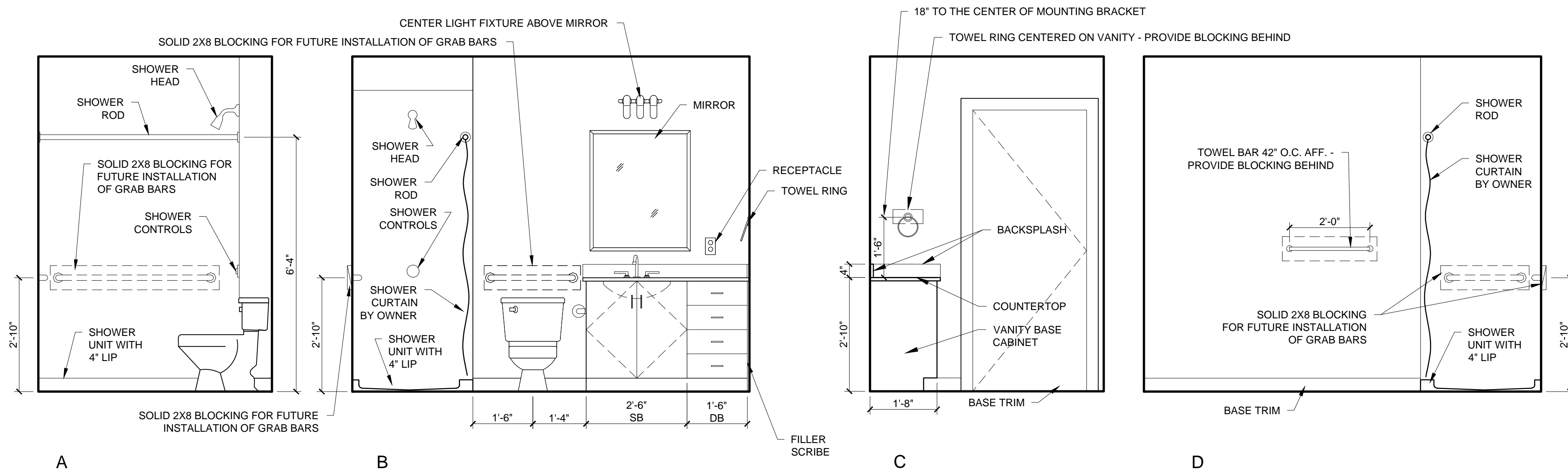
CONSULTANTS:
STRUCTURAL:
Structural Integrity
77 Oak Street
Portland, ME 04101
207-774-4814

REVISIONS:

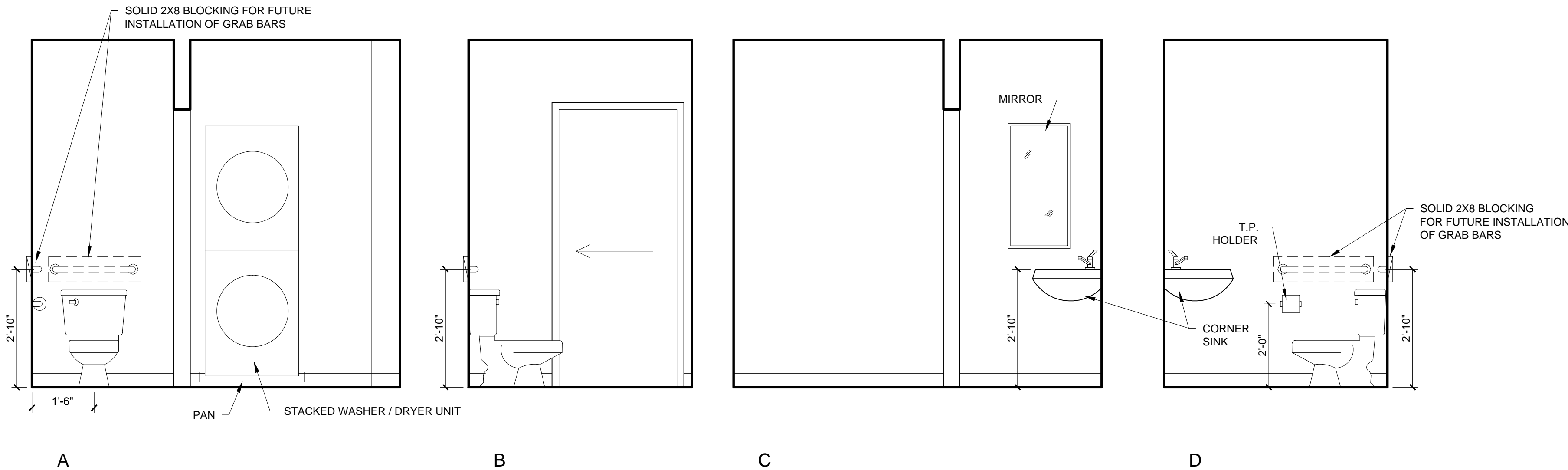
DATE: JANUARY 16, 2018
PROJECT No. 1604
DRAWN BY: RRT, RJS
CHECKED BY: RJS
SCALE: AS NOTED

SHEET TITLE:
**UNIT 307
INTERIOR
ELEVATIONS**

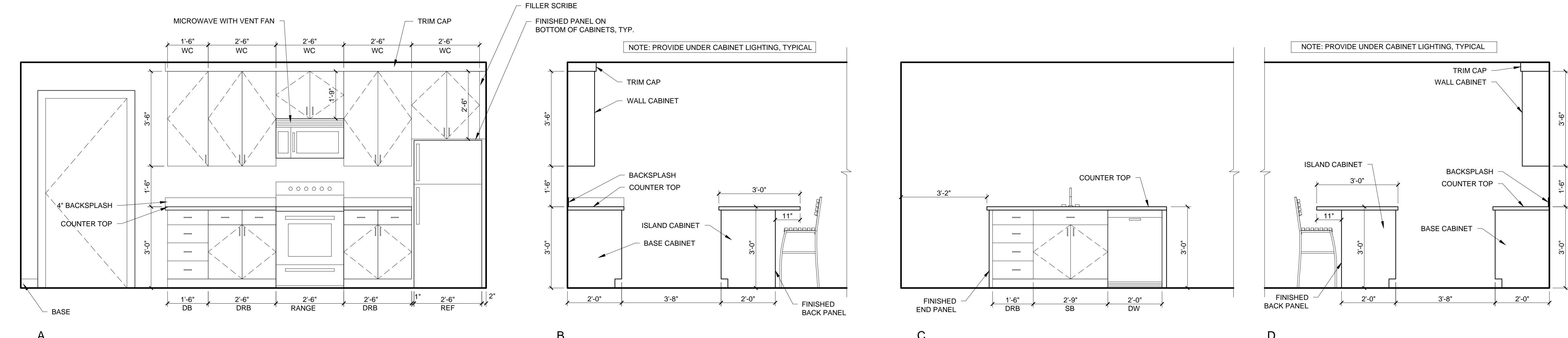
A4-21



3 UNIT 307 - BATHROOM WITH SHOWER - INTERIOR ELEVATIONS
1/2" = 1'-0"



2 UNIT 307 - BATHROOM WITH TUB - INTERIOR ELEVATIONS
1/2" = 1'-0"



1 UNIT 307 - KITCHEN - INTERIOR ELEVATIONS
1/2" = 1'-0"