



© 2017 RYAN SENATORE ARCHITECTURE

RESIDENCES
155 SHERIDAN STREET
PORTLAND, MAINE



RYAN SENATORE ARCHITECTURE
565 CONGRESS STREET
PORTLAND, MAINE 04101
207-650-6414
senatorearchitecture.com

CONSULTANTS:
Structural Integrity
77 Oak Street
Portland, ME 04101
207-774-4814

REVISIONS:

DATE: JANUARY 16, 2018

PROJECT No. 1604

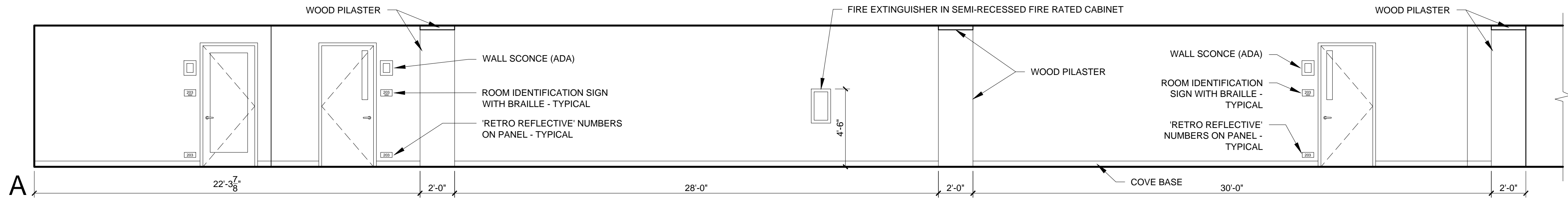
DRAWN BY: RRT, RJS

CHECKED BY: RJS

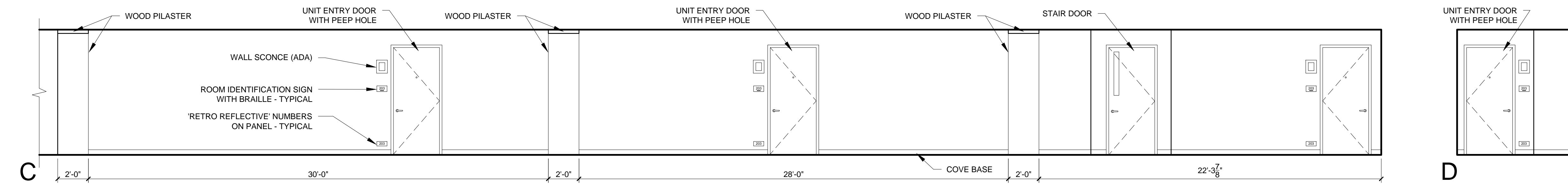
SCALE: AS NOTED

SHEET TITLE:
INTERIOR ELEVATIONS - SECOND FLOOR CORRIDORS

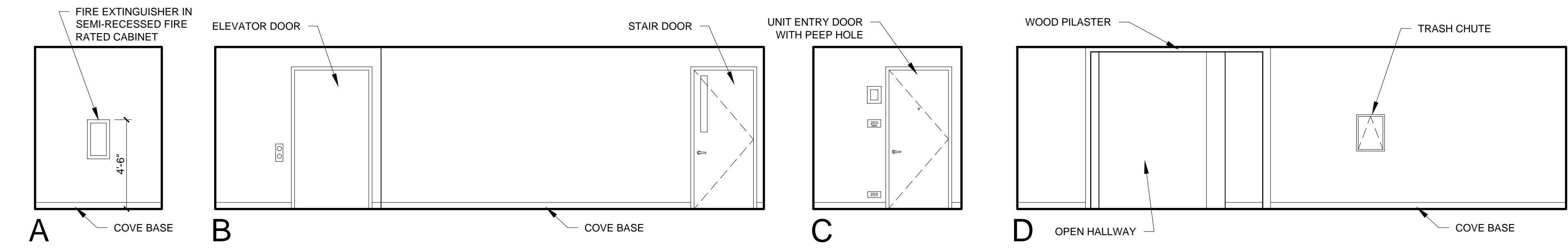
A4-2



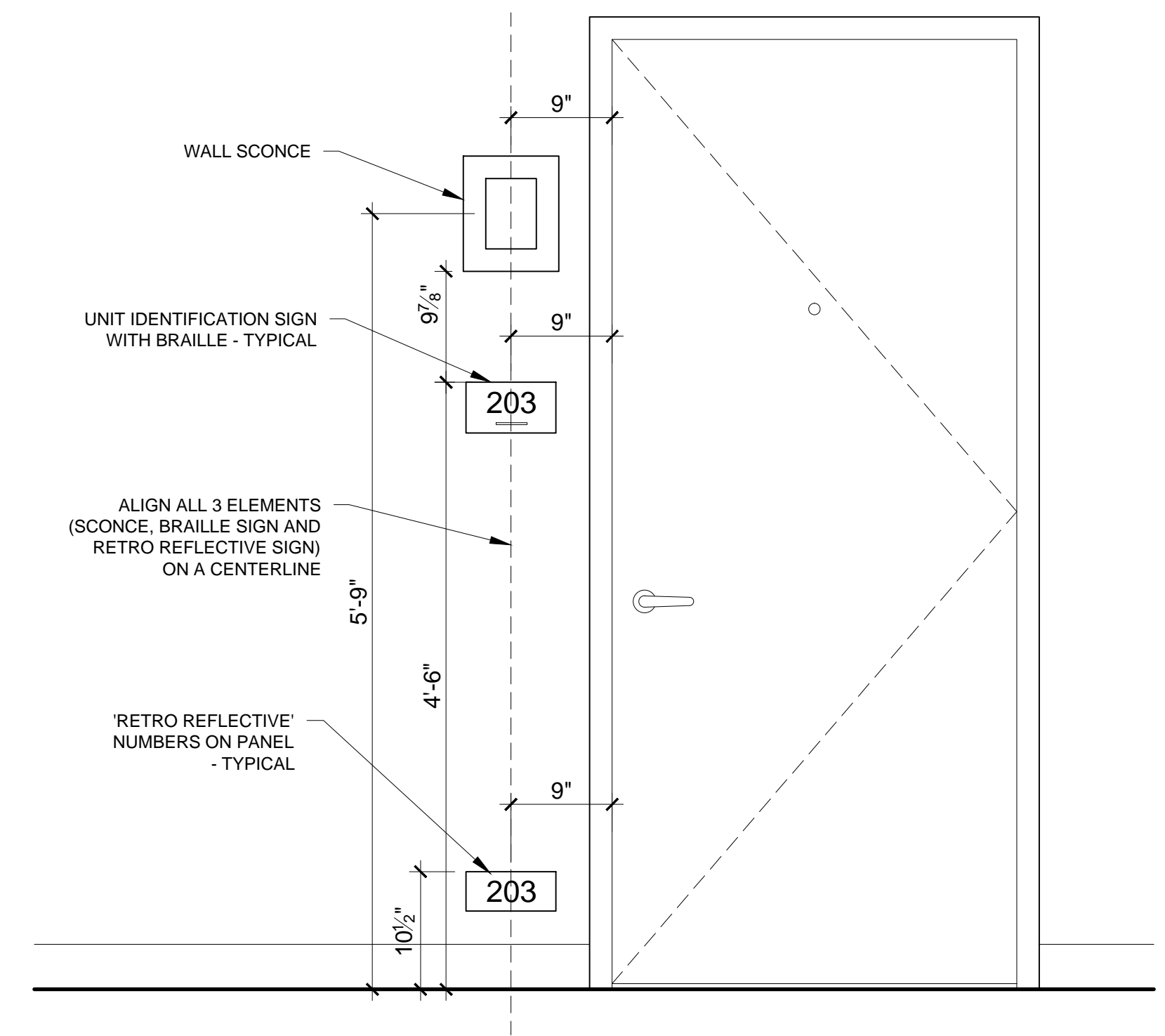
1 INTERIOR ELEVATIONS OF SECOND FLOOR CORRIDOR
1/4" = 1'-0"



1 INTERIOR ELEVATIONS OF SECOND FLOOR CORRIDOR
1/4" = 1'-0"



2 INTERIOR ELEVATIONS OF SECOND FLOOR CORRIDOR
1/4" = 1'-0"



3 TYPICAL ELEVATION OF UNIT ENTRY DOOR
1/4" = 1'-0"