



© 2017 RYAN SENATORE ARCHITECTURE

**RESIDENCES**  
155 SHERIDAN STREET  
PORTLAND, MAINE



**RYAN SENATORE ARCHITECTURE**  
565 CONGRESS STREET  
PORTLAND, MAINE 04101  
207-650-6414  
senatorearchitecture.com

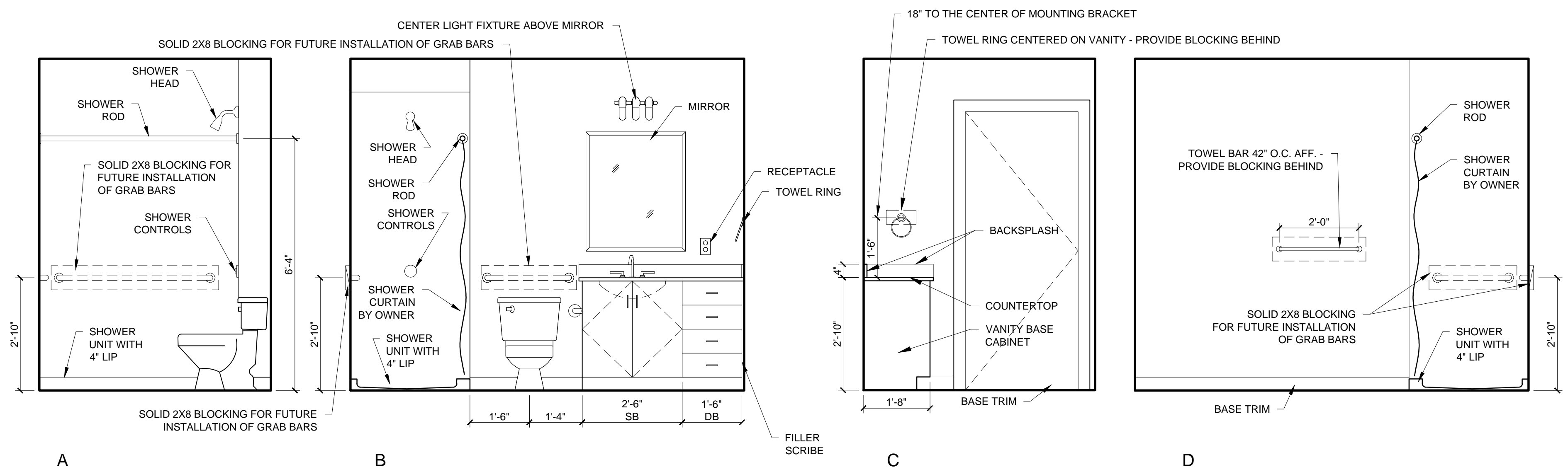
**CONSULTANTS:**  
STRUCTURAL: Structural Integrity  
77 Oak Street  
Portland, ME 04101  
207-774-4614

REVISIONS:

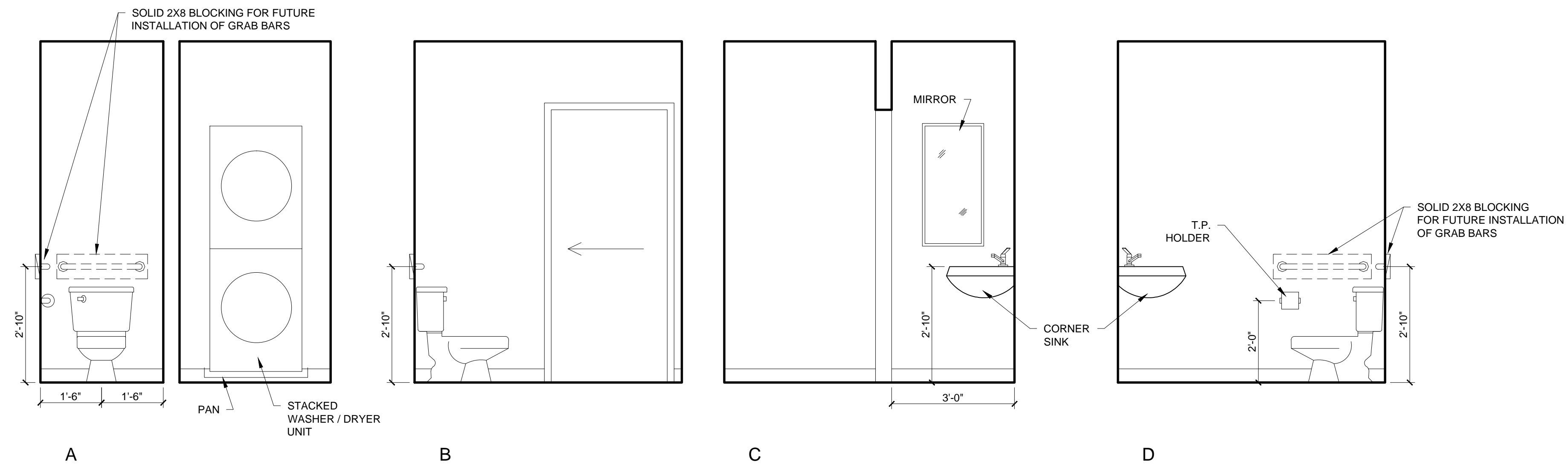
DATE: JANUARY 16, 2018  
PROJECT No. 1604  
DRAWN BY: RRT, RJS  
CHECKED BY: RJS  
SCALE: AS NOTED

SHEET TITLE:  
**UNIT 305 INTERIOR ELEVATIONS**

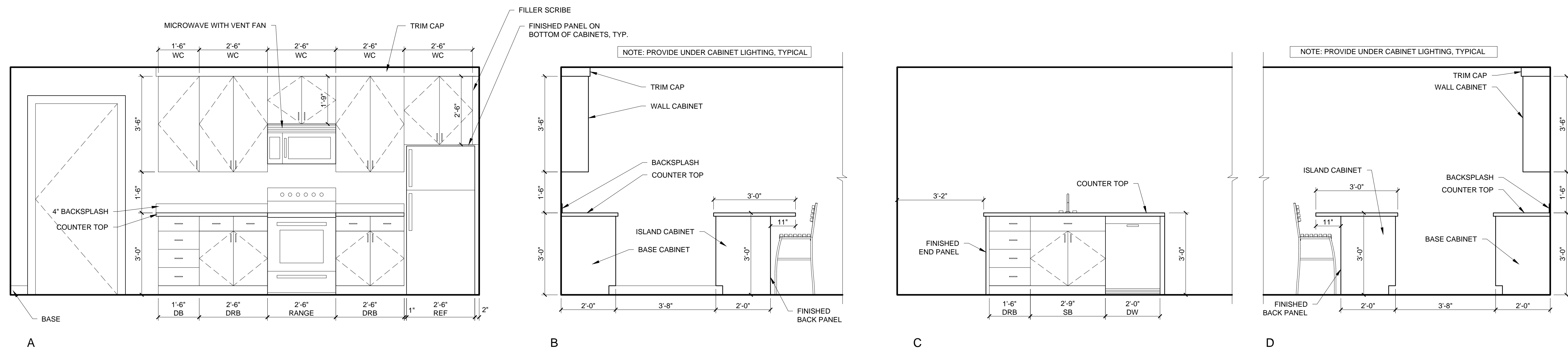
**A4-19**



**3** UNIT 305 - BATHROOM WITH SHOWER - INTERIOR ELEVATIONS  
1/2" = 1'-0"



**2** UNIT 305 - HALF BATH - INTERIOR ELEVATIONS  
1/2" = 1'-0"



**1** UNIT 305 - KITCHEN - INTERIOR ELEVATIONS  
1/2" = 1'-0"