



© 2017 RYAN SENATORE ARCHITECTURE

RESIDENCES  
155 SHERIDAN STREET  
PORTLAND, MAINE



RYAN SENATORE  
ARCHITECTURE  
565 CONGRESS STREET  
PORTLAND, MAINE 04101  
207-650-6414  
senatorearchitecture.com

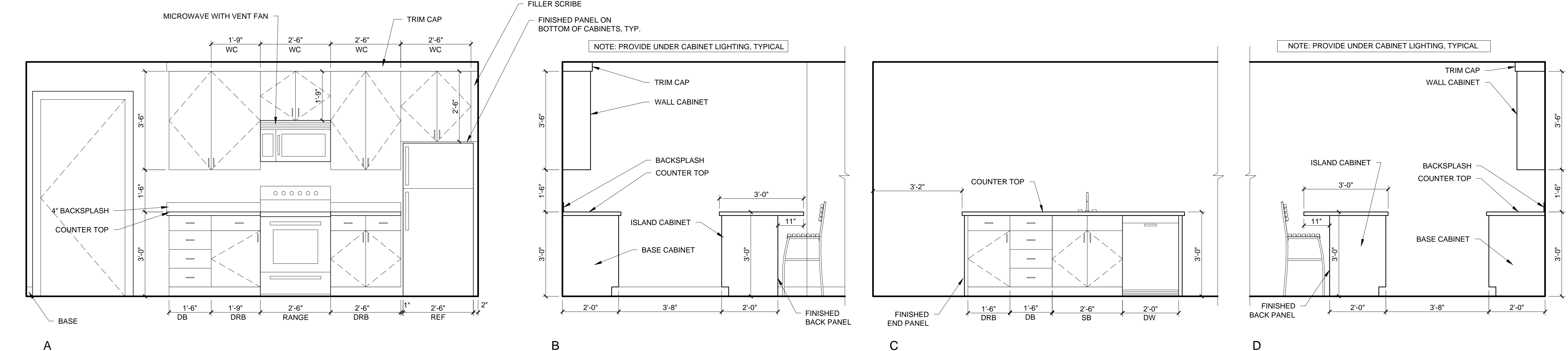
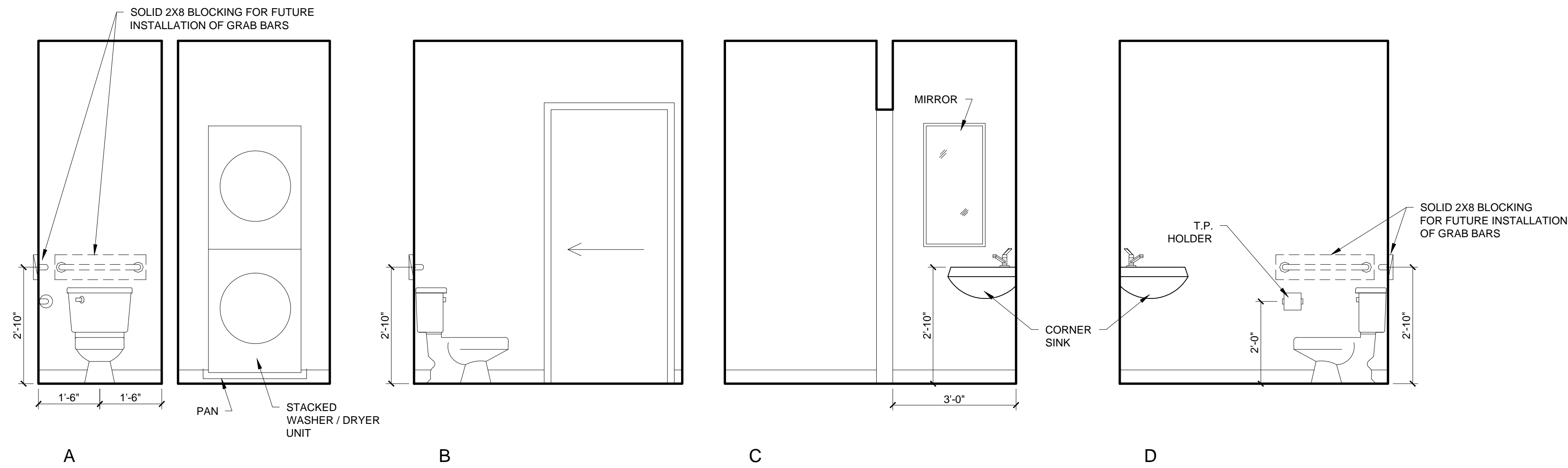
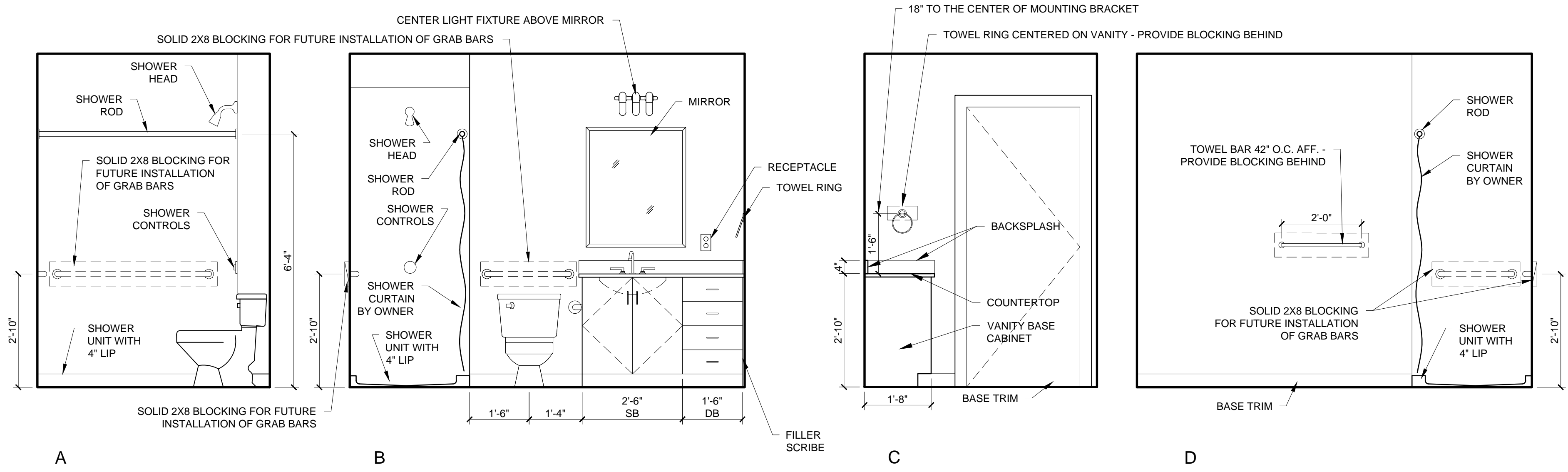
CONSULTANTS:  
STRUCTURAL:  
Structural Integrity  
77 Oak Street  
Portland, ME 04101  
207-774-4614

REVISIONS:

DATE: JANUARY 16, 2018  
PROJECT No. 1604  
DRAWN BY: RRT, RJS  
CHECKED BY: RJS  
SCALE: AS NOTED

SHEET TITLE:  
UNIT 204  
INTERIOR ELEVATIONS

A4-13



1 UNIT 204 - KITCHEN - INTERIOR ELEVATIONS  
1/2" = 1'-0"