



© 2017 RYAN SENATORE ARCHITECTURE

RESIDENCES
155 SHERIDAN STREET
PORTLAND, MAINE



RYAN SENATORE
ARCHITECTURE
565 CONGRESS STREET
PORTLAND, MAINE 04101
207-650-6414
senatorearchitecture.com

CONSULTANTS:
STRUCTURAL:
Structural Integrity
77 Oak Street
Portland, ME 04101
207-774-4814

REVISIONS:

DATE: JANUARY 16, 2018

PROJECT No. 1604

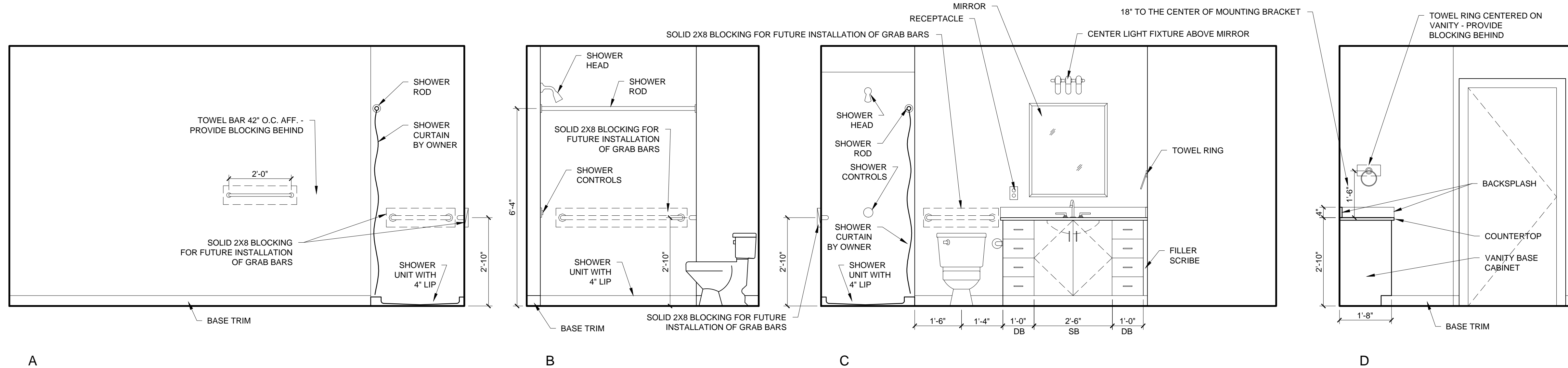
DRAWN BY: RRT, RJS

CHECKED BY: RJS

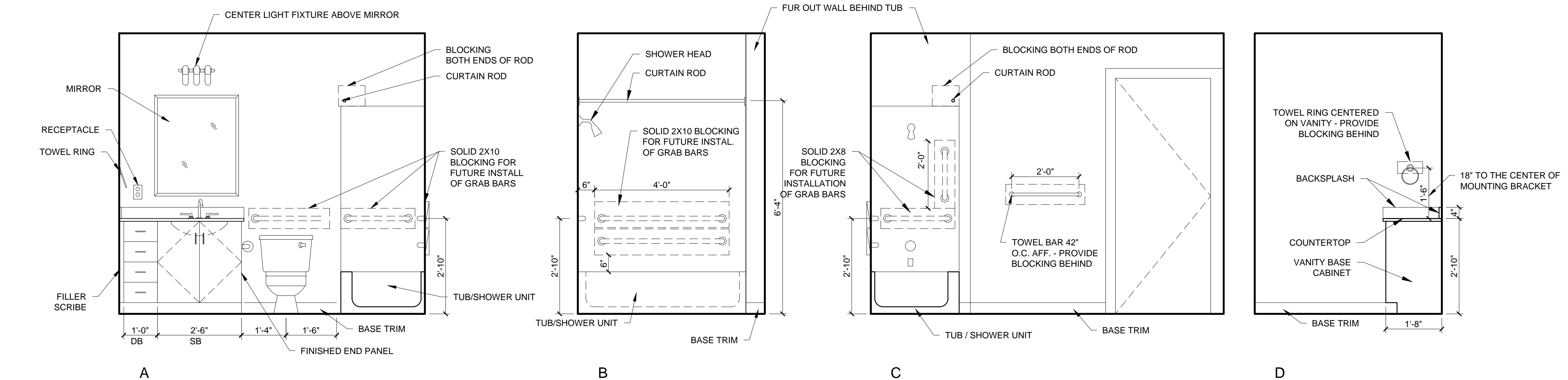
SCALE: AS NOTED

SHEET TITLE:
UNIT 202
INTERIOR
ELEVATIONS

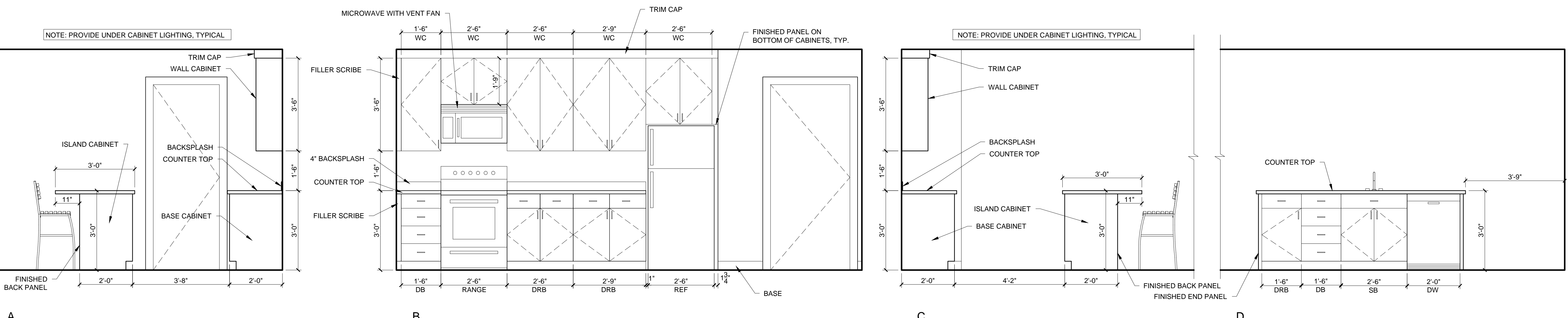
A4-11



3 UNIT 202 - BATHROOM WITH SHOWER - INTERIOR ELEVATIONS
1/2" = 1'-0"



2 UNIT 202 - BATHROOM WITH TUB - INTERIOR ELEVATIONS
1/2" = 1'-0"



1 UNIT 202 - KITCHEN - INTERIOR ELEVATIONS
1/2" = 1'-0"