



© 2017 RYAN SENATORE ARCHITECTURE

RESIDENCES  
155 SHERIDAN STREET  
PORTLAND, MAINE



RYAN SENATORE ARCHITECTURE  
565 CONGRESS STREET  
PORTLAND, MAINE 04101  
207-650-6414  
senatorearchitecture.com

CONSULTANTS:  
STRUCTURAL:  
Structural Integrity  
77 Oak Street  
Portland, ME 04101  
207-774-4814

REVISIONS:

DATE: JANUARY 16, 2018

PROJECT No. 1604

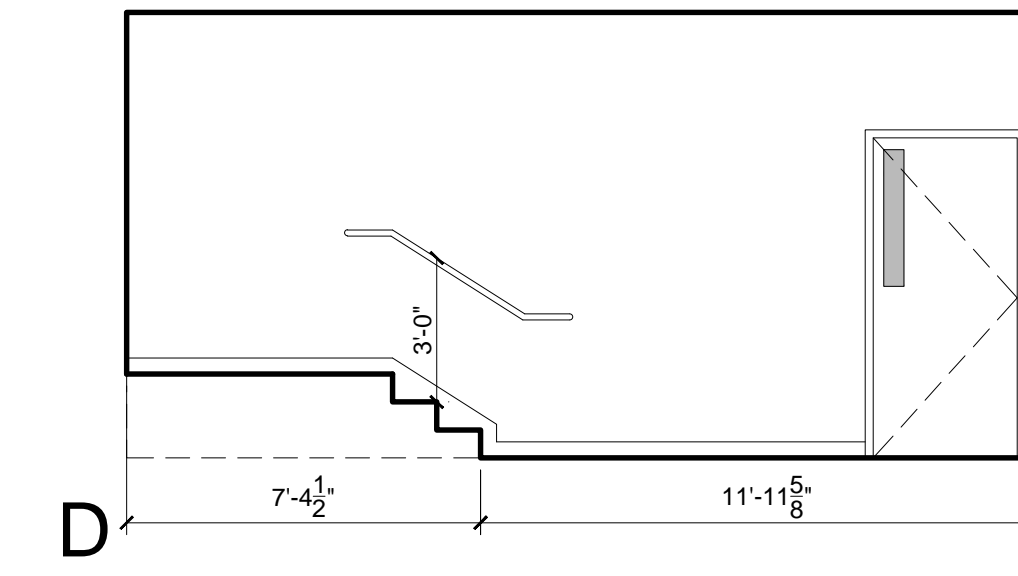
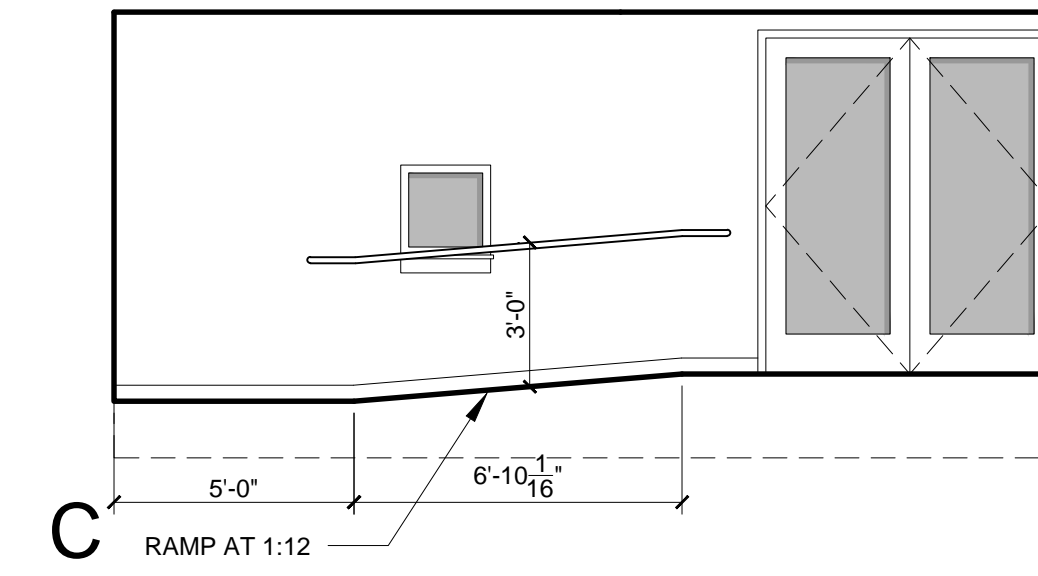
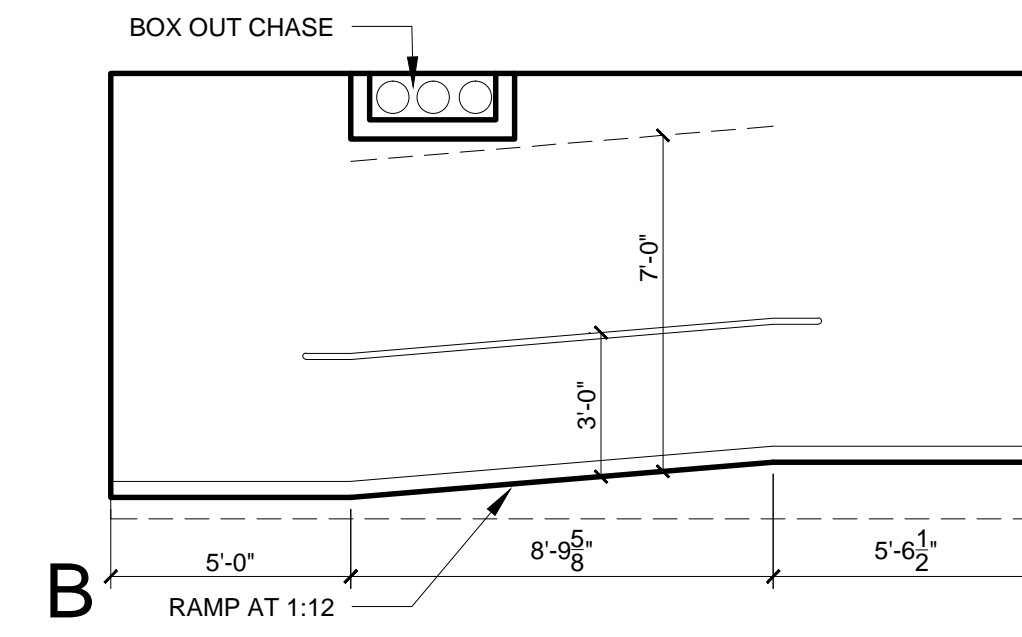
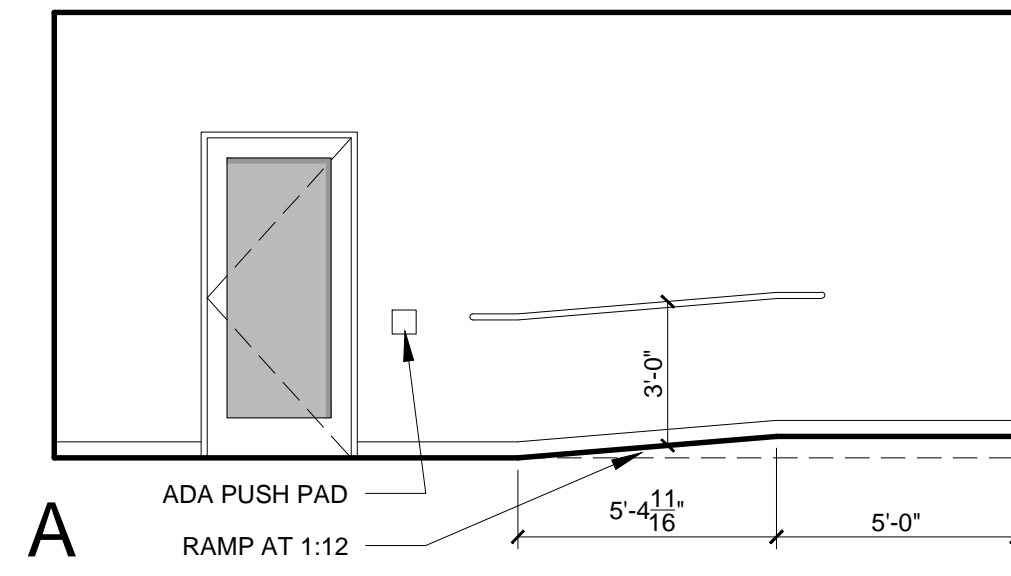
DRAWN BY: RRT, RJS

CHECKED BY: RJS

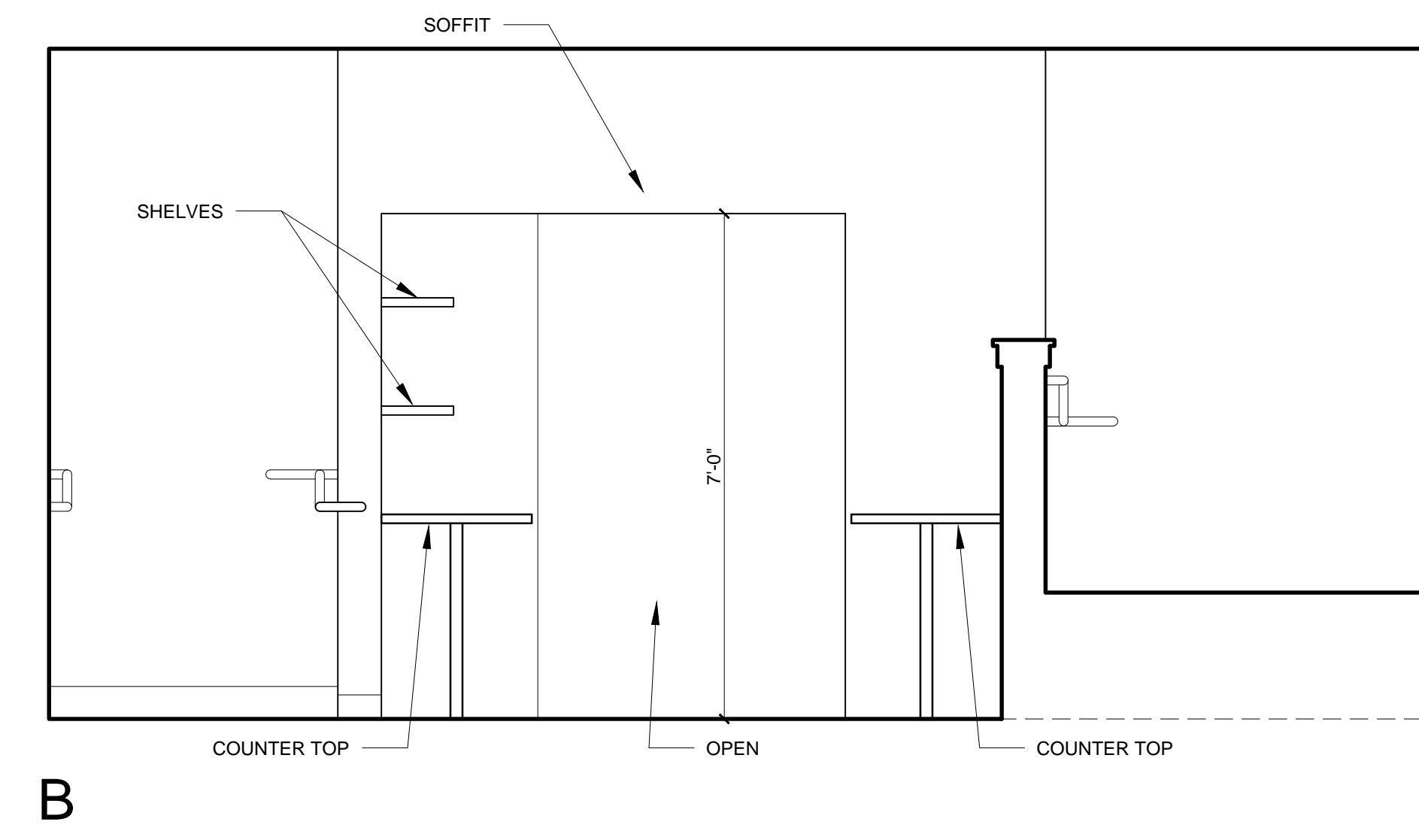
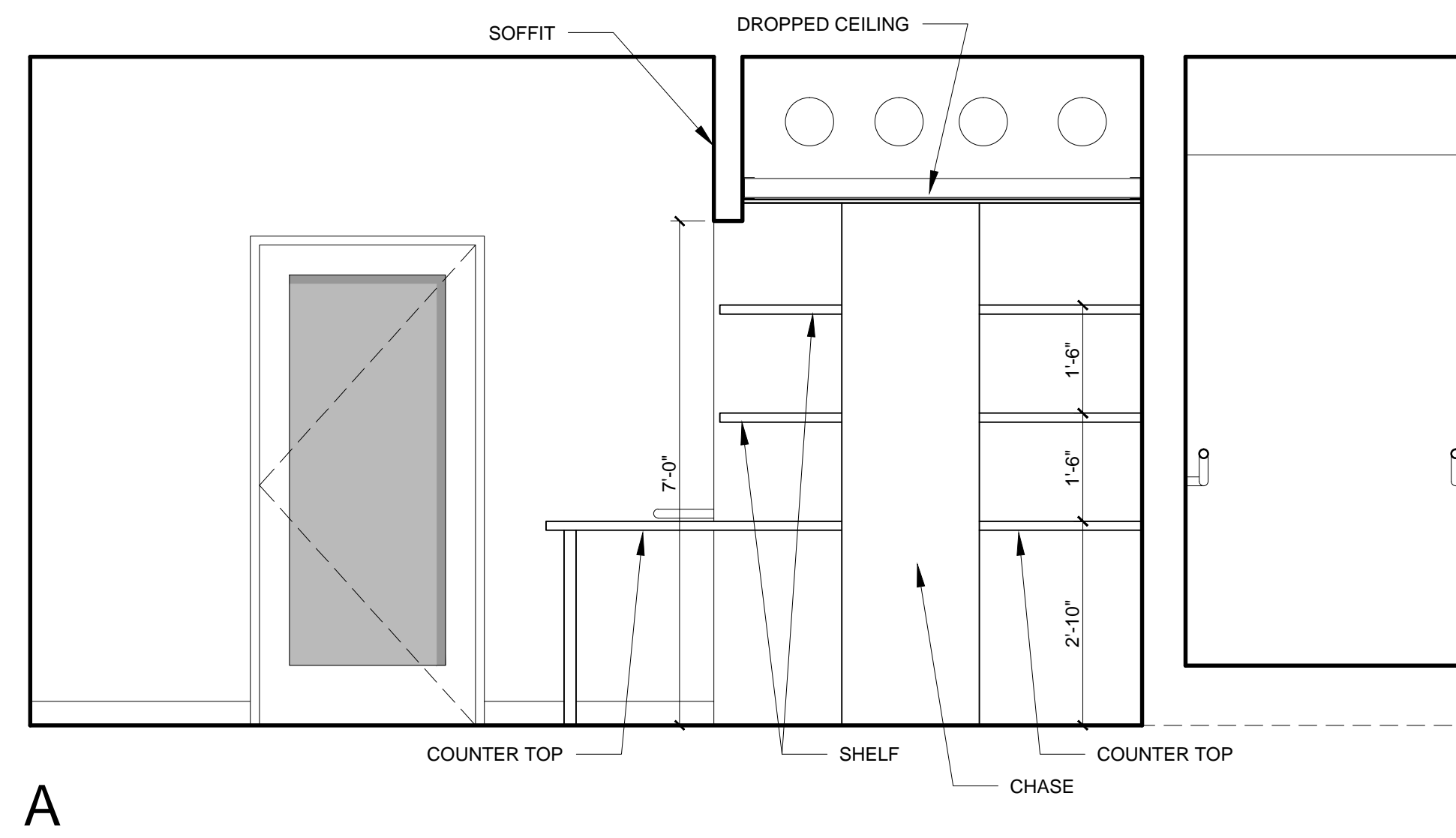
SCALE: AS NOTED

SHEET TITLE:  
INTERIOR ELEVATIONS - PUBLIC AREAS

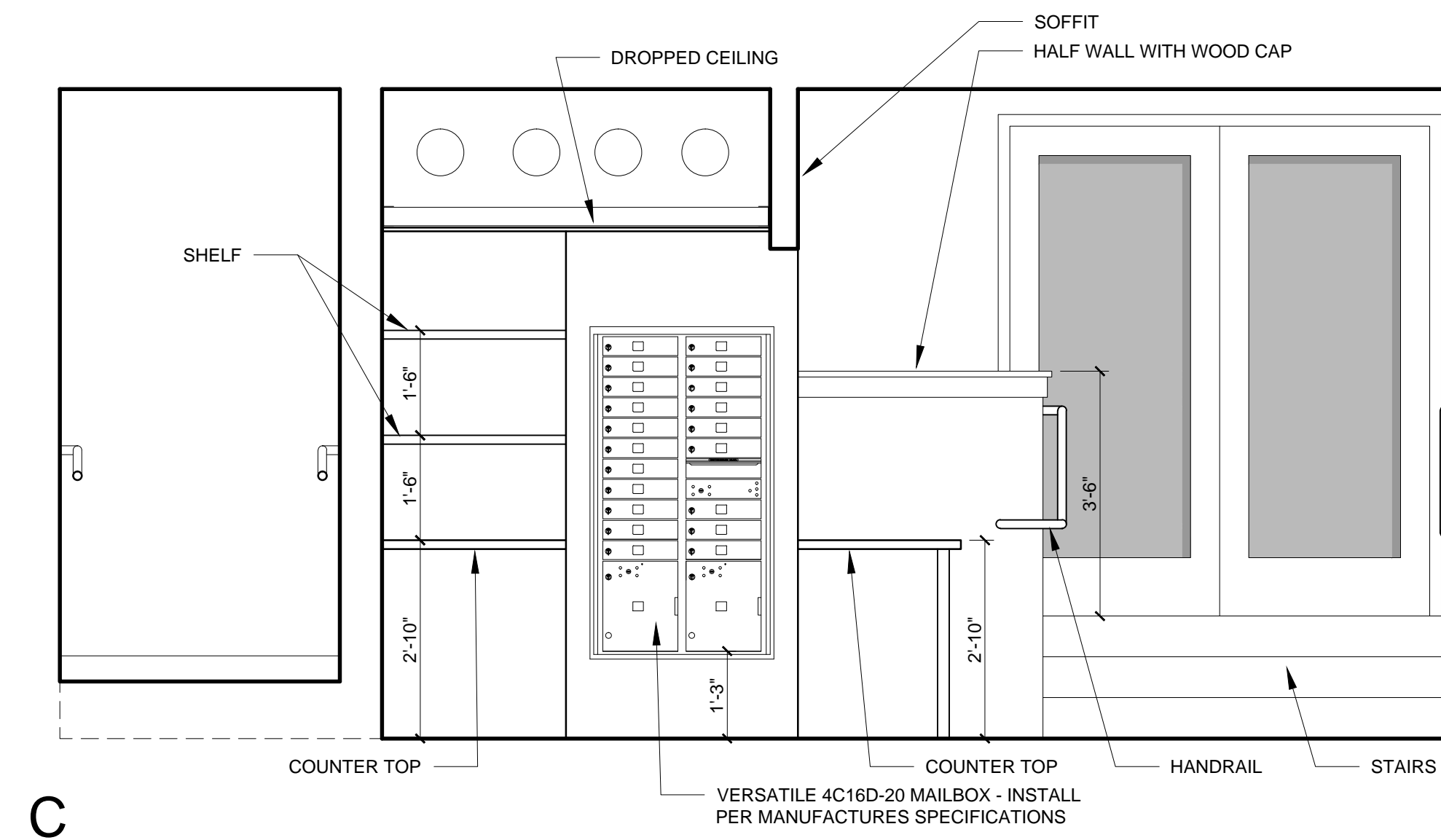
A4-1



1 LOBBY 100 INTERIOR ELEVATIONS  
1/4" = 1'-0"



2 MAIL ROOM INTERIOR ELEVATIONS  
1/4" = 1'-0"



2 MAIL ROOM INTERIOR ELEVATIONS  
1/4" = 1'-0"