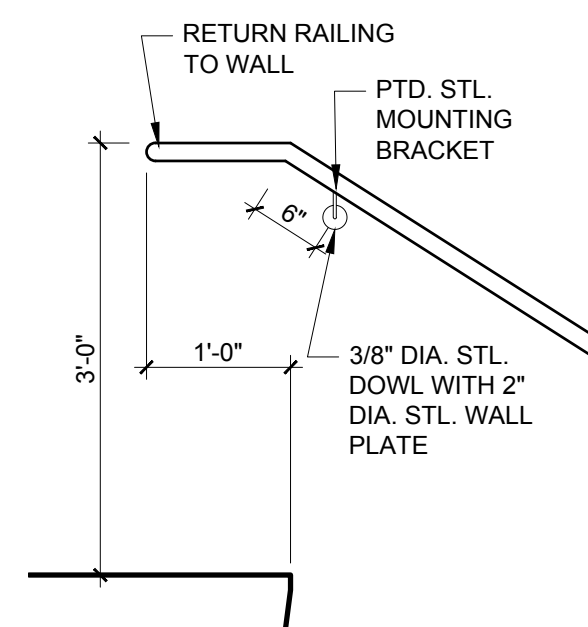
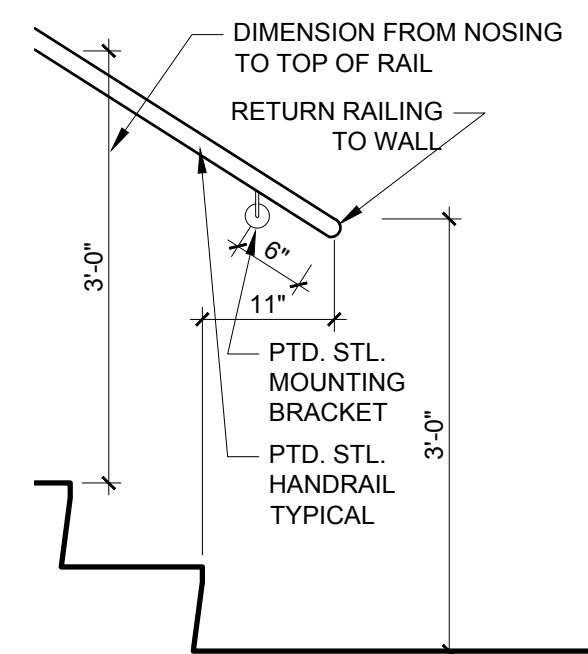


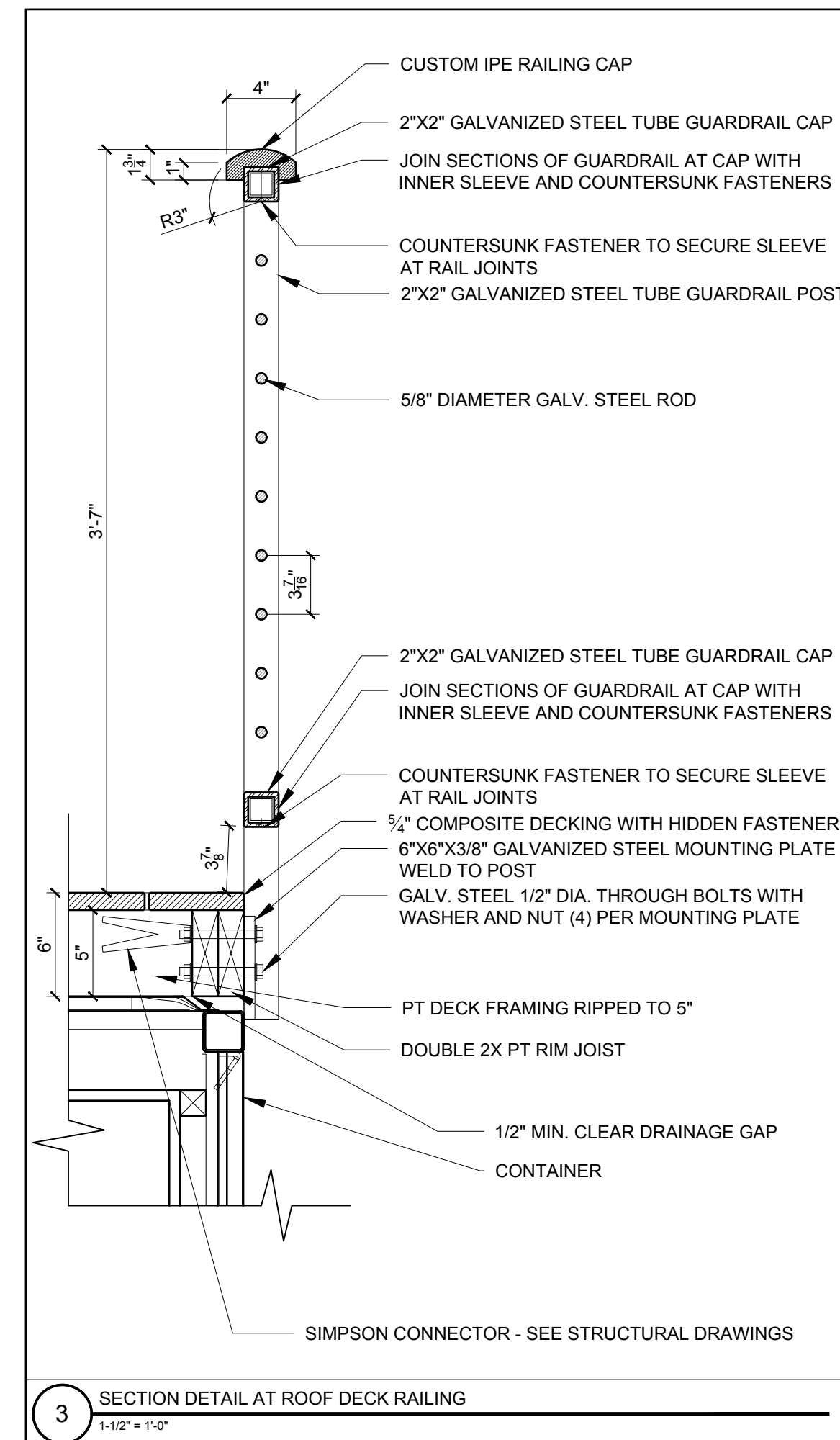
6 TYPICAL HANDRAIL SECTION DETAIL
1/2" = 1'-0"



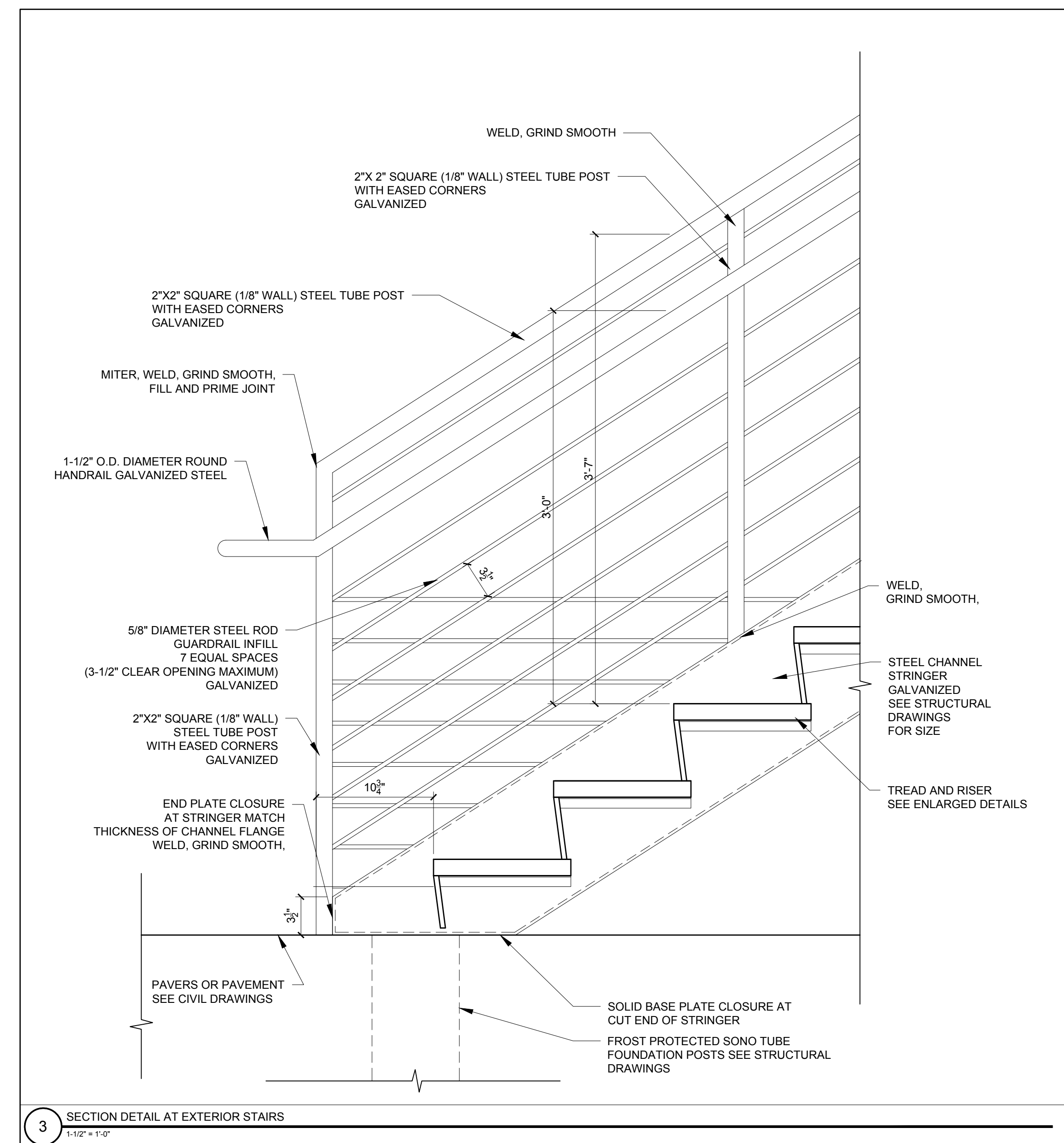
5 TYPICAL HANDRAIL DETAIL AT TOP OF STAIR
1/2" = 1'-0"



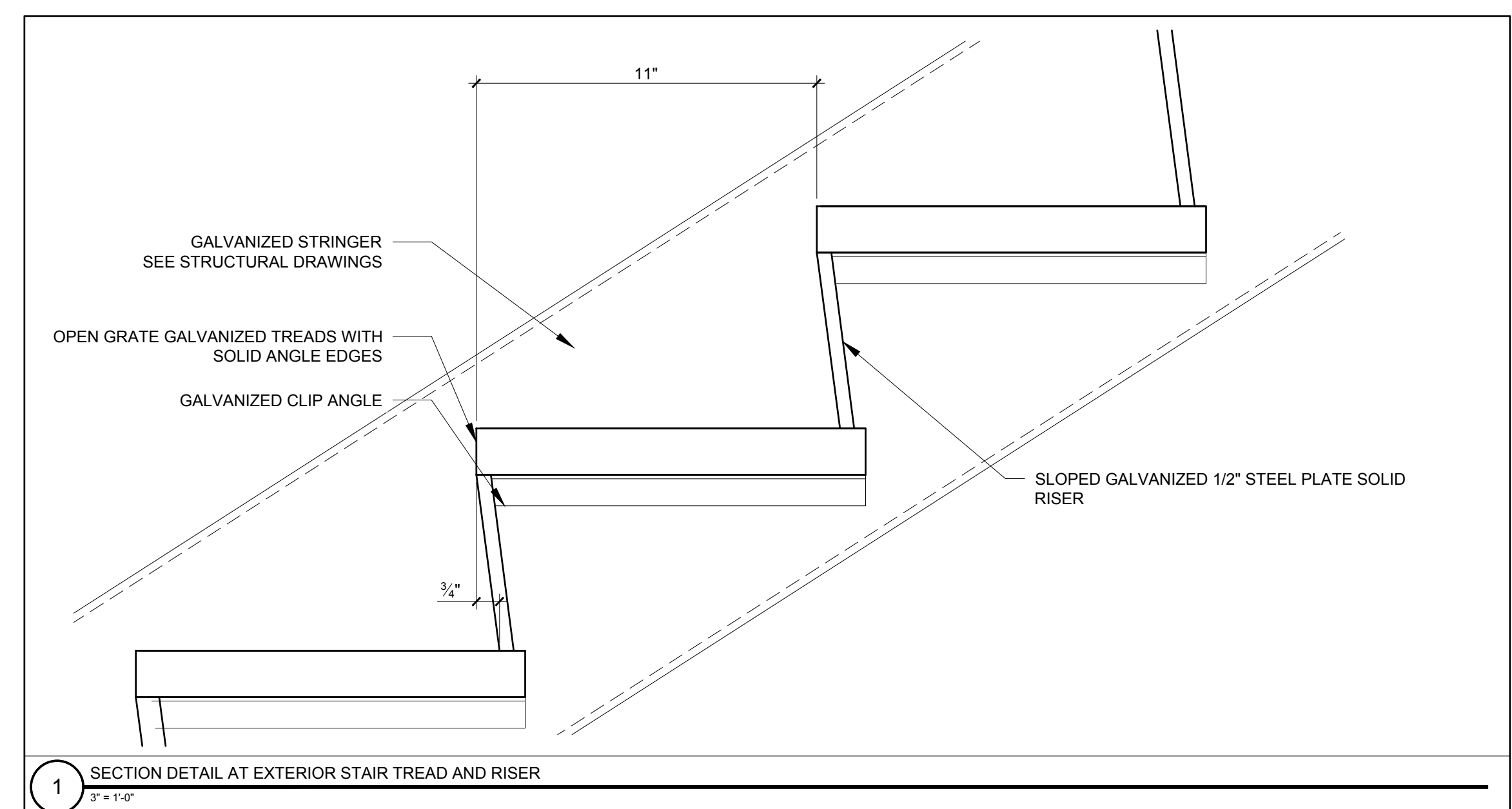
4 TYPICAL HANDRAIL DETAIL AT BOTTOM OF STAIR
1/2" = 1'-0"



3 SECTION DETAIL AT ROOF DECK RAILING
1/12" = 1'-0"



3 SECTION DETAIL AT EXTERIOR STAIRS
1/12" = 1'-0"



1 SECTION DETAIL AT EXTERIOR STAIR TREAD AND RISER
3/8" = 1'-0"



© 2016 RYAN SENATORE ARCHITECTURE

93 WASHINGTON AVE.
PORTLAND, MAINE



RYAN SENATORE ARCHITECTURE
565 CONGRESS STREET
PORTLAND, MAINE 04101
207-650-6414
senatorearchitecture.com

CONSULTANTS:

REVISIONS:

DATE: SEPTEMBER 29, 2016

PROJECT No. 1626

DRAWN BY: RJS / RRT

CHECKED BY: RJS

SCALE: AS NOTED

SHEET TITLE:

DETAILS

A5-0