

© 2016 RYAN SENATORE ARCHITECTURE

93 WASHINGTON AVE.  
PORTLAND, MAINE



RYAN SENATORE ARCHITECTURE  
565 CONGRESS STREET  
PORTLAND, MAINE 04101  
207-650-6414  
senatorearchitecture.com

CONSULTANTS:

REVISIONS:

DATE: JULY 26, 2016

PROJECT No. 1626

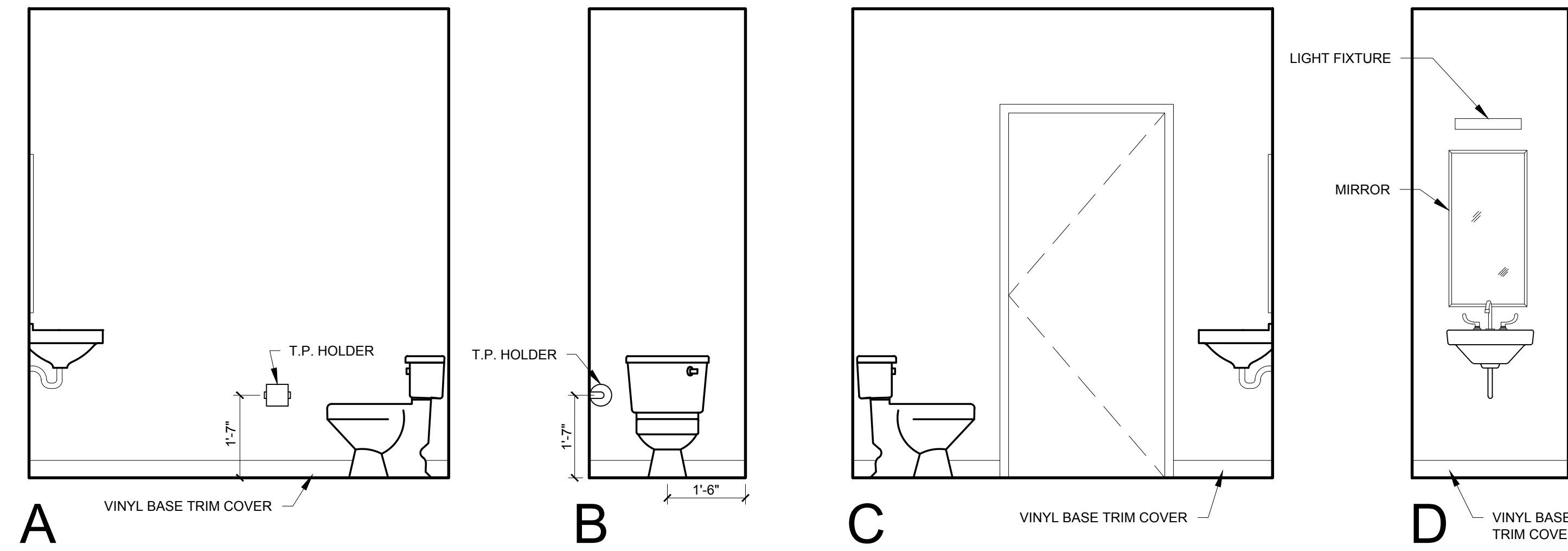
DRAWN BY: RJS / RRT

CHECKED BY: RJS

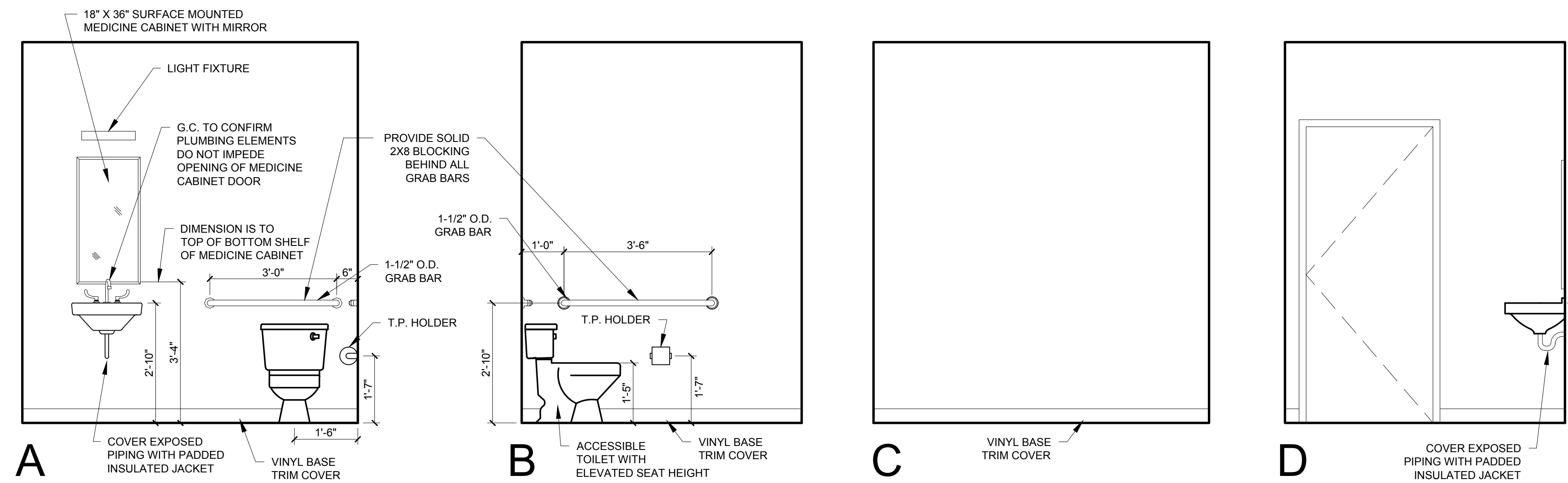
SCALE: AS NOTED

SHEET TITLE:  
INTERIOR ELEVATIONS

A4-0



1 UNISEX BATHROOM  
1/2" = 1'-0"



2 UNISEX ADA BATHROOM  
1/2" = 1'-0"