

DOMESTIC WATER HEATER SCHEDULE

TAG	FUEL	INPUT MBH	RECOVERY RATE 100' RISE (GPH)	STORAGE TANK SIZE/GAL.	ELECTRICAL DATA		FLUE CONN. (in.)	OPERATING WEIGHT (lbs.)	TYPICAL UNIT MFR. & MODEL NO.	NOTES
					HP	VOLT/Ø				
WH-1	NAT. GAS	76	92	50	6KW	120/1	3"	700	AO SMITH GPHE-50	1,2,3
WH-2	NAT. GAS	100	129	50	6KW	120/1	3"	700	AO SMITH GDHE-50	1,2,3
WH-3	ELECTRIC	-	52	40	4500W	240/1	-	450	AO SMITH ECT-40	1,2

NOTES:
 1. PROVIDE ONE EXPANSION TANK ON CW INLET, AMTROL #ST-5 OR EQUAL.
 2. SET HW OUTLET TEMPERATURE AT 120F.
 3. PROVIDE CPVC PIPE FOR EXHAUST. PVC PIPE FOR COMBUSTION AIR AND CONCENTRIC VENT TERMINATION PIPE IN ACCORDANCE WITH MANUFACTURER'S RECOMMENDATIONS.

PLUMBING FIXTURE CONNECTION SCHEDULE

FIXTURE	CW	HW	WASTE	VENT	NOTES
TANK TYPE WATER CLOSET	1/2"	-	4"	2"	
LAVATORY	1/2"	1/2"	1-1/2"	1-1/2"	
KITCHEN SINK	1/2"	1/2"	1-1/2"	1-1/2"	
LAUNDRY SINK	1/2"	1/2"	1-1/2"	1-1/2"	
CLOTHES WASHER	1/2"	1/2"	1-1/2"	1-1/2"	
DISHWASHER	-	1/2"	5/8" FLEX TUBING	AIR GAP FITTING	
SHOWER	1/2"	1/2"	1-1/2"	1-1/2"	

NOTES:

PLUMBING SPECIALTIES SCHEDULE

TAG	APPLICATION	TYPICAL UNIT MFG & MODEL NO.	DESCRIPTION	NOTES
WB-A	WASHING MACHINE WALL BOX	IPS-GUY GRAY #BBED200TS	GALVANIZED STEEL, RECESSED LAUNDRY BOX WITH DOMESTIC HW AND CW VALVES, DRAIN CONNECTION.	
WH-A	EXTERIOR WALL HYDRANT	ZURN #Z1315-PB-VB-WC	FREEZE RESISTANT, POLISHED BRONZE PLATE, ADAPTER BACKFLOW PREVENTER, WALL CLAMP, 3/4" CONNECTION.	
HB-A	INTERIOR HOSE BIBB UNFINISHED SPACES	CHICAGO #998	INTEGRAL VACUUM BREAKER, LOOSEKEY, ROUGH CHROME FINISH, 3/4" CONNECTION.	

NOTES:

PLUMBING FIXTURE SCHEDULE

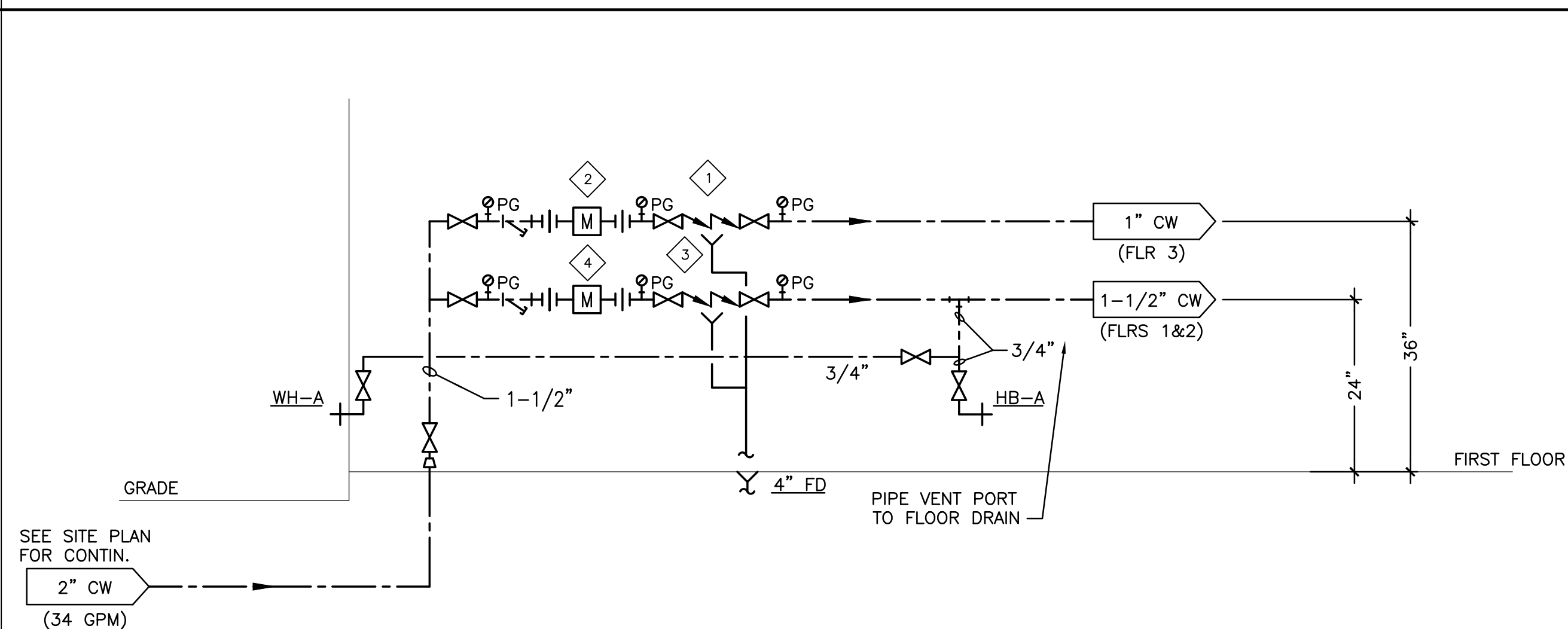
TAG	DESCRIPTION	FIXTURE	FAUCET/DRAIN	TRIM	SUPPORT	NOTES
WC-A	WALL MOUNTED WATER CLOSET	KOHLER #K-3754 KELSTON, VITREOUS CHINA, ELONGATED BOWL, 1.6GPF	--	CHURCH #885NLSL ELONGATED MOLDED WOOD SEAT - WHITE	--	
LAV-A	COUNTER MOUNTED LAVATORY	PROVIDED BY COUNTERTOP SUPPLIER.	MOEN SINGLE HANDLE LAVATORY FAUCET. L4600 SERIES.	MCGUIRE ANGLE STOPS, P-TRAP, ESCUTCHEONS AND RISERS-CHROME PLATED	INTEGRAL	
LAV-B	COUNTER MOUNTED LAVATORY	PROVIDED BY COUNTERTOP SUPPLIER.				
SK-A	KITCHEN SINK	PROVIDED BY COUNTERTOP SUPPLIER.	MOEN CHATEAU MODEL #7430 SINGLE HANDLE W/ SPRAY ELKAY #LK335 DRAIN WITH REMOVABLE STRAINER BASKET	MCGUIRE ANGLE STOPS, P-TRAP, ESCUTCHEONS AND RISERS-CHROME PLATED	INTEGRAL	
SK-B	KITCHEN SINK	PROVIDED BY COUNTERTOP SUPPLIER.				
SK-C	LAUNDRY SINK	PROVIDED BY COUNTERTOP SUPPLIER.	MOEN CHATEAU MODEL #7430 SINGLE HANDLE W/ SPRAY ELKAY #LK335 DRAIN WITH REMOVABLE STRAINER BASKET	MCGUIRE ANGLE STOPS, P-TRAP, ESCUTCHEONS AND RISERS-CHROME PLATED	INTEGRAL	
BT-A	BATHTUB/SHOWER UNIT	AMERICAN STANDARD ACRYLUX 60"x30" TUB W/ INTEGRAL APRON. MODEL NO. 6030Y1.	SYMMONS C-96			
BT-B	BATHTUB/SHOWER UNIT					
SHR-A	SHOWER UNIT	AMERICAN STANDARD ACRYLUX 36"x36" SHOWER KIT. MODEL NO. 3636Y1K.ST WITH SHOWER BASE.	SYMMONS C-96			
SHR-B	SHOWER UNIT	AMERICAN STANDARD ACRYLUX 60"x32" SHOWER KIT. MODEL NO. 3636Y1K.ST WITH SHOWER BASE.	SYMMONS C-96			
SHR-C	SHOWER UNIT	AMERICAN STANDARD ACRYLUX 60"x32" SHOWER KIT. MODEL NO. 3636Y1K.ST WITH SHOWER BASE.	SYMMONS C-96			

NOTES: REFER TO ARCHITECTURAL DRAWINGS FOR SHOWER HEAD MOUNTING HEIGHT.

DRAIN SCHEDULE

TAG	APPLICATION	TYPICAL UNIT MFG & MODEL NO.	DESCRIPTION	TRAP PRIMER	NOTES
FD-A	UNFINISHED EQUIPMENT SPACES	ZURN Z-415B	LIGHT-DUTY DRAIN, CAST IRON BODY & GRATE, 3/4" TRAP PRIMER CONNECTION	PRECISION PLUMBING PRODUCTS #PR-500	1
RD-A	ROOF DRAIN	ZURN ZA-100-DP	"TOP-SET" ROOF DRAIN, ALUMINUM DOME, COATED CAST IRON BODY	-	2

NOTES:
 1. SLAB ON GRADE - CAULK OUTLET.
 2. MEZZANINE/ROOF - NO HUB OUTLET.

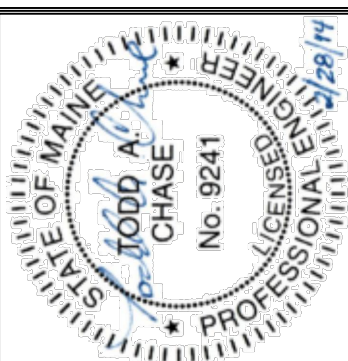


KEYED PLUMBING NOTES:

- 1 1" WATTS #LF909QTRPZ TYPE BACKFLOW PREVENTER.
- 2 WATER METER BY PORTLAND WATER DISTRICT. PROVIDE STRAINER. BASIS OF DESIGN: 16.5 GPM @ 3 PSIG MAXIMUM PRESSURE DROP.
- 3 1-1/4" WATTS #LF909QTRPZ TYPE BACKFLOW PREVENTER.
- 4 WATER METER BY PORTLAND WATER DISTRICT. PROVIDE STRAINER. BASIS OF DESIGN: 29 GPM @ 3 PSIG MAXIMUM PRESSURE DROP.

A1 WATER ENTRANCE SCHEMATIC

NO SCALE



Prepared For:
New Day Farm LLC
 Gorham Maine

Consultant:
VIRIDIS ENGINEERING
 20 Mechanic Street
 Gorham, Maine 04088
 Telephone: (207) 772-6044
 www.viridisengineering.com

Architect:
ARCHETYPE Architects
 48 Union Wharf Portland, Maine 04101
 (207) 772-6022 Fax (207) 772-4056

Project:
Sheridan Street Townhouses
 152 Sheridan Street
 Portland Maine 04101

Revisions:

Date: February 28, 2014
 Scale: 1/4" = 1'-0"
PLUMBING DETAILS AND SCHEDULES