

Prepared For:
New Day Farm LLC
 Gorham Maine

Consultant:
ARCHETYPE architects
 48 Union Wharf Portland, Maine 04101
 (207) 772-6022 Fax (207) 772-4056

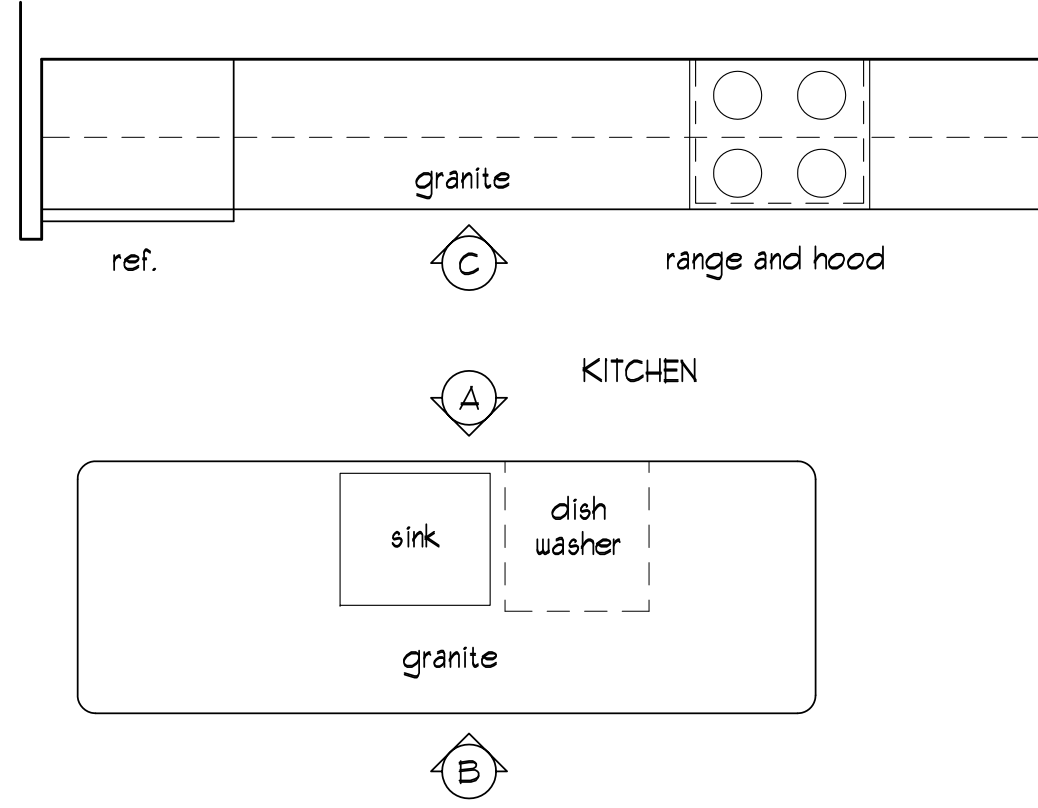
Project:
Sheridan Street Townhouses
 152 Sheridan Street
 Portland Maine 04101

Revisions:

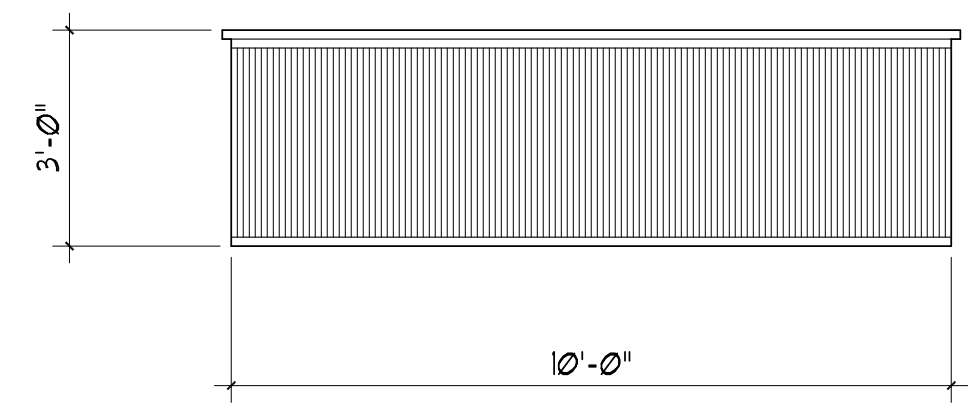
Date: March 10, 2014
 Scale: AS NOTED

kitchen elevations

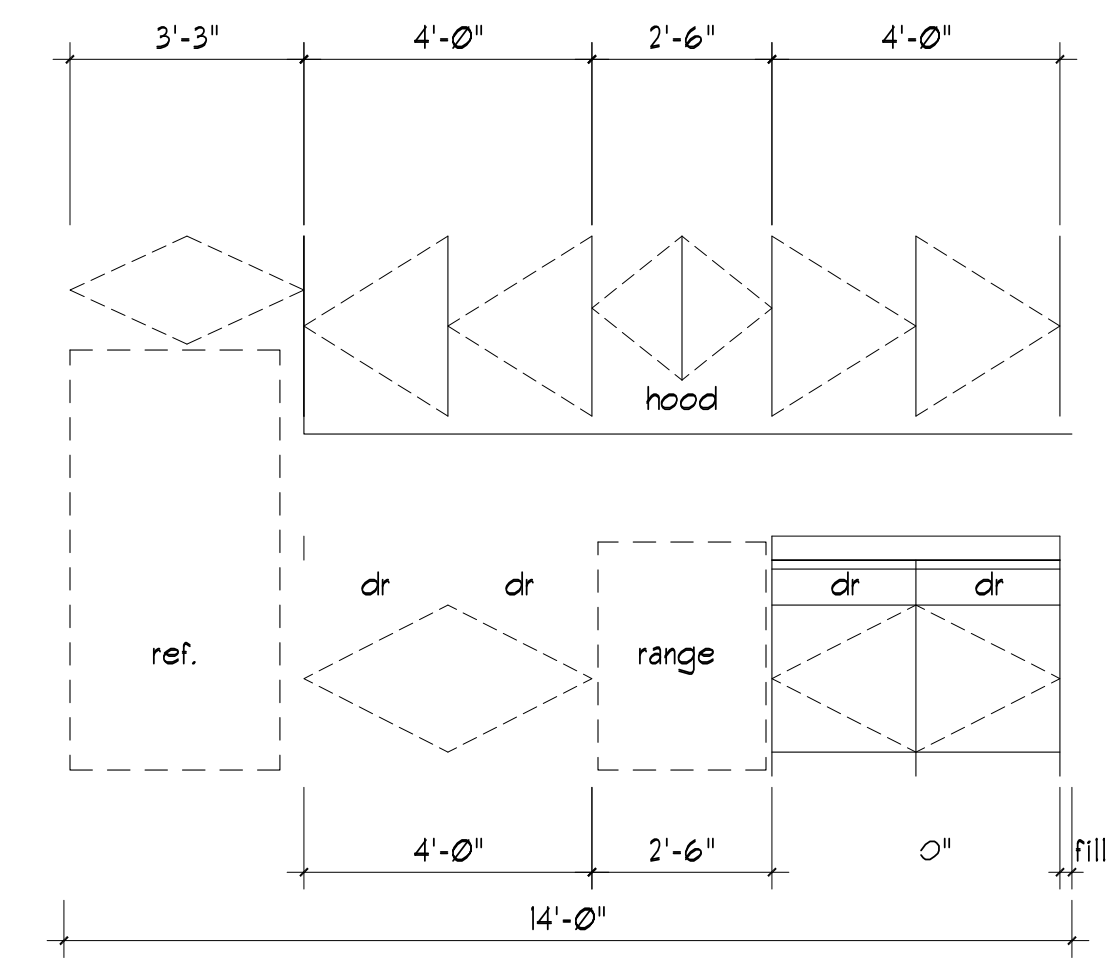
A6.2



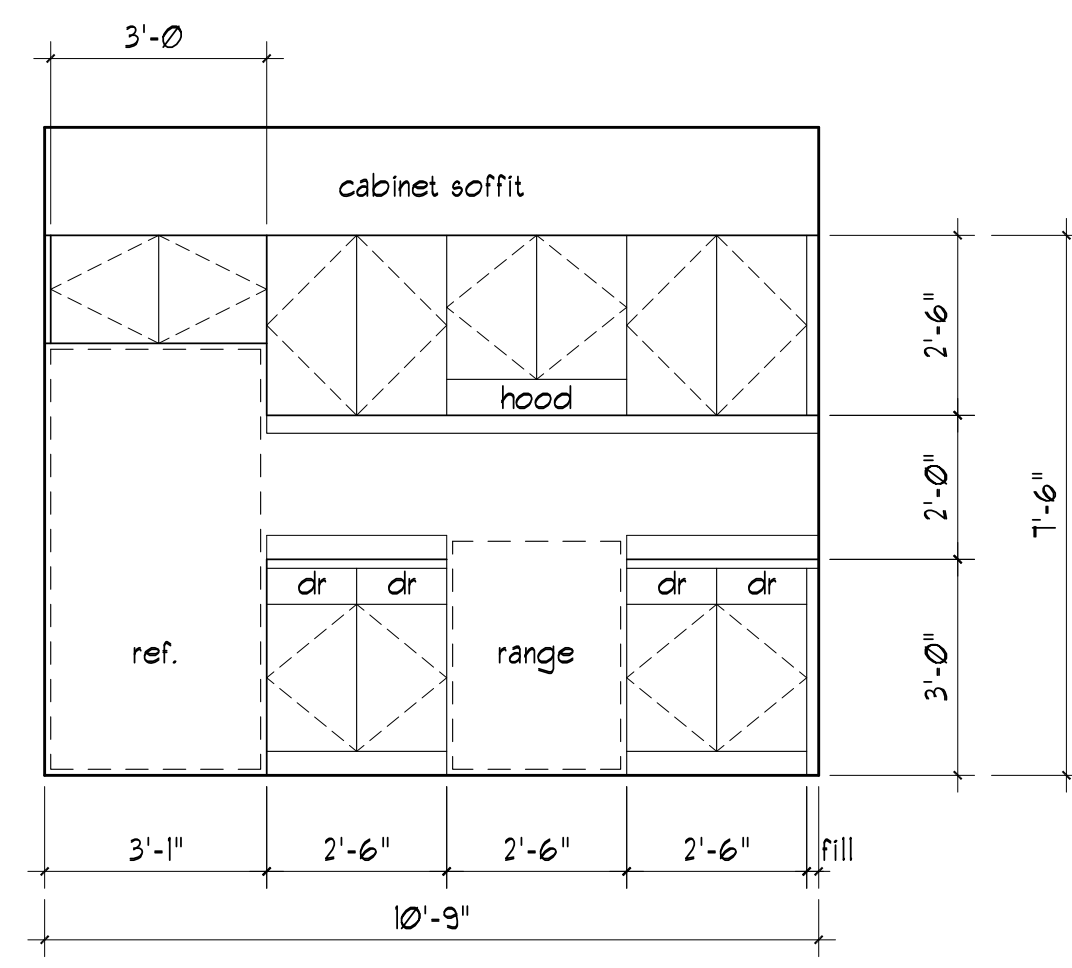
3 Kitchen Floor Plan
 Apartment 2B
 3/8" = 1'-0"



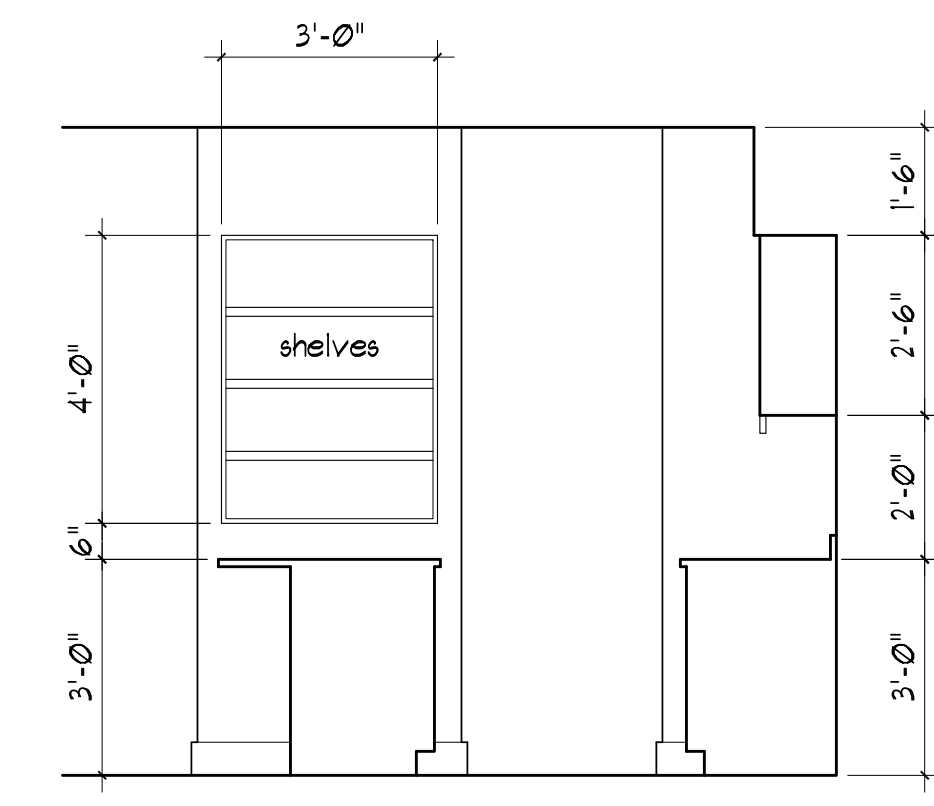
B Cabinet Elevation
 Apartment 2B
 3/8" = 1'-0"



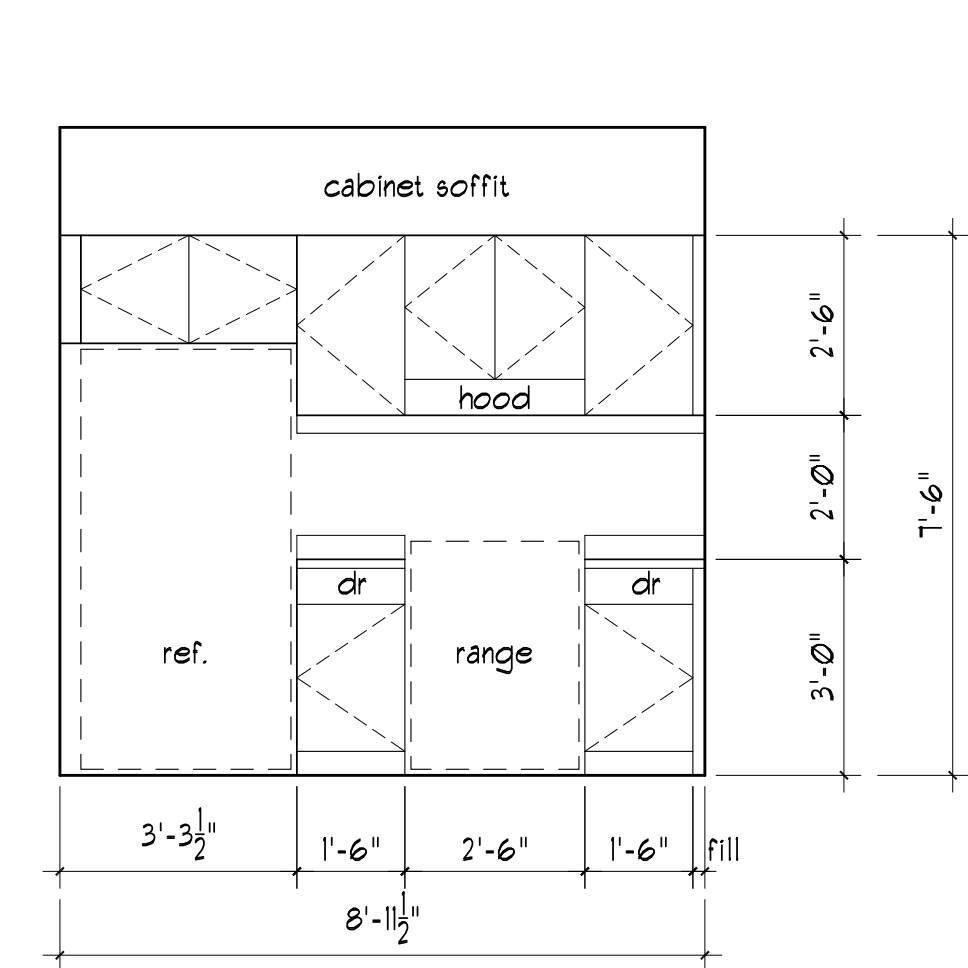
C Cabinet Elevation
 Apartment 2B
 3/8" = 1'-0"



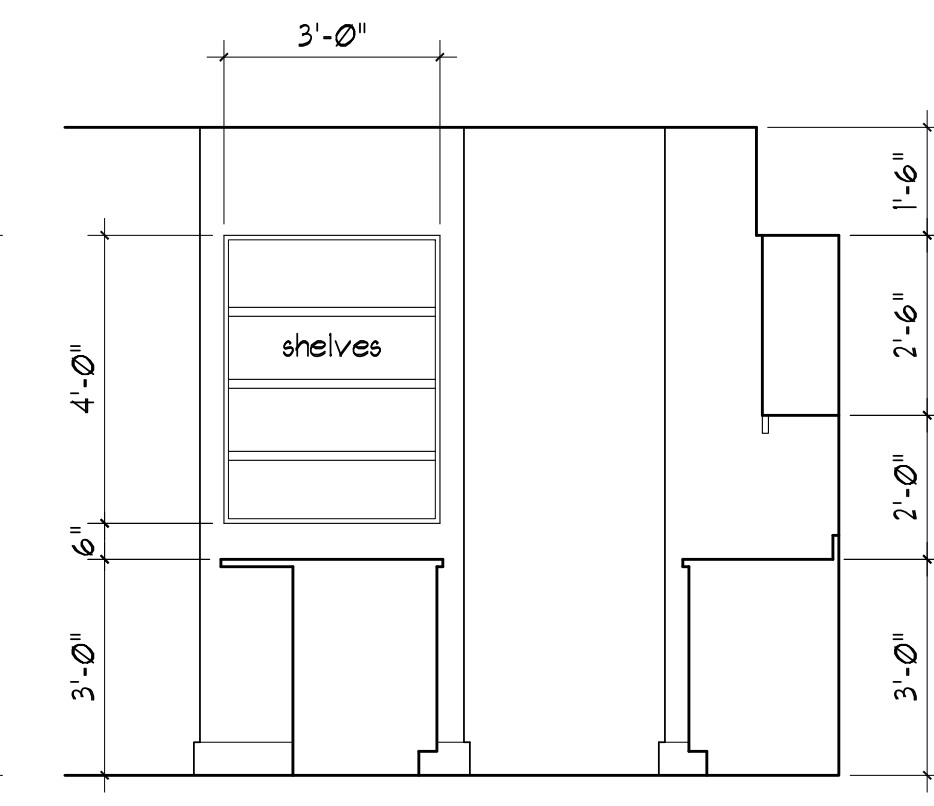
C Cabinet Elevation
 Apartments 1A and 2A
 3/8" = 1'-0"



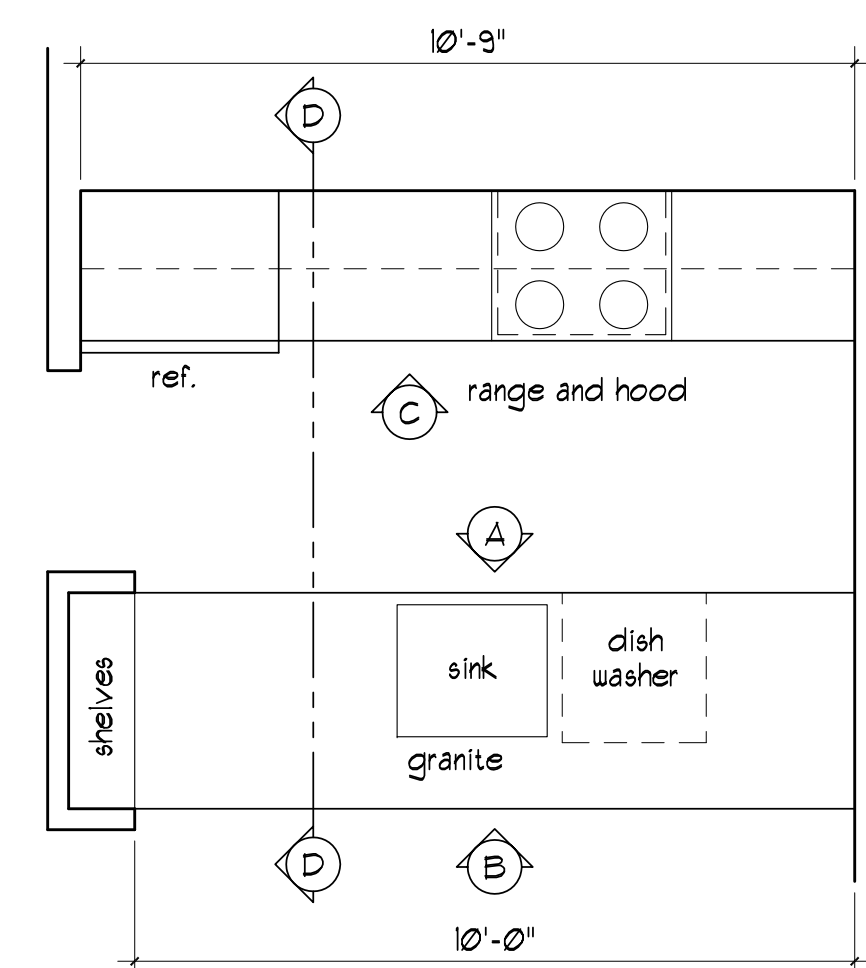
D Cabinet Cross Section
 Apartments 1A and 2A
 3/8" = 1'-0"



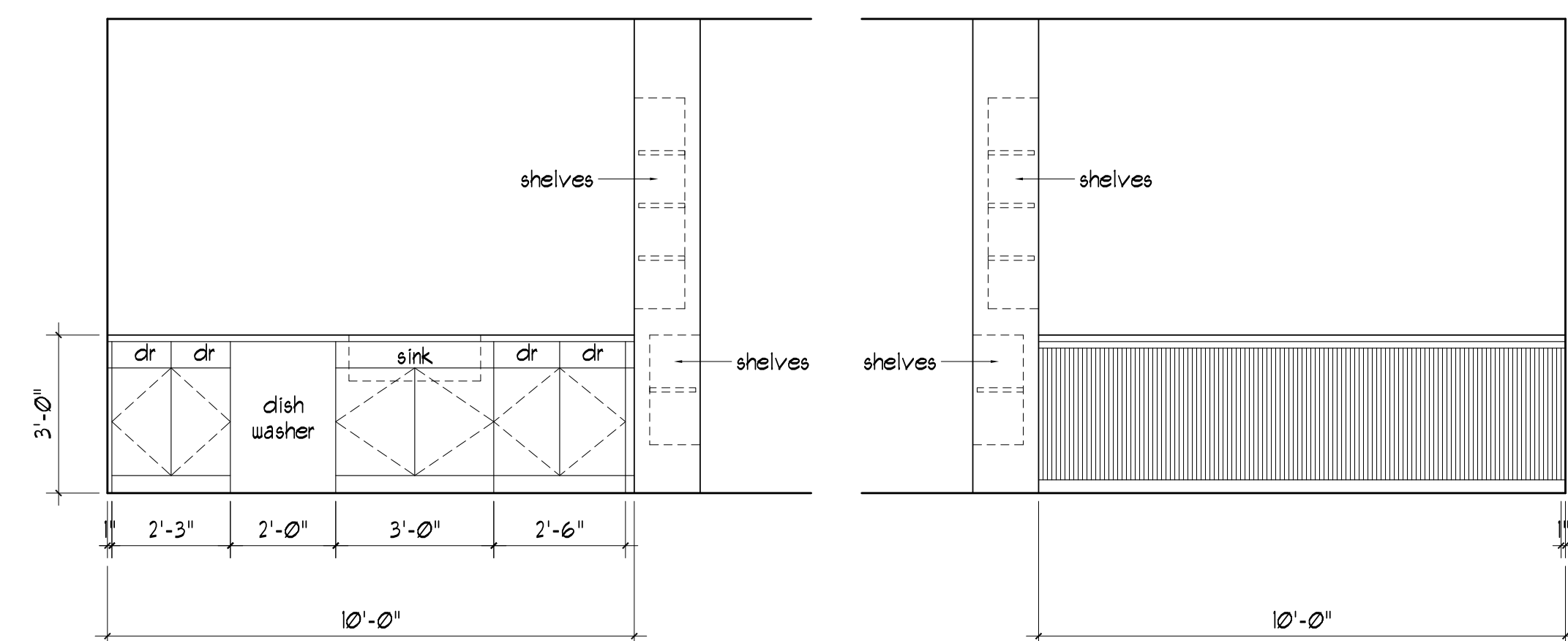
C Cabinet Elevation
 Apartments 1B
 3/8" = 1'-0"



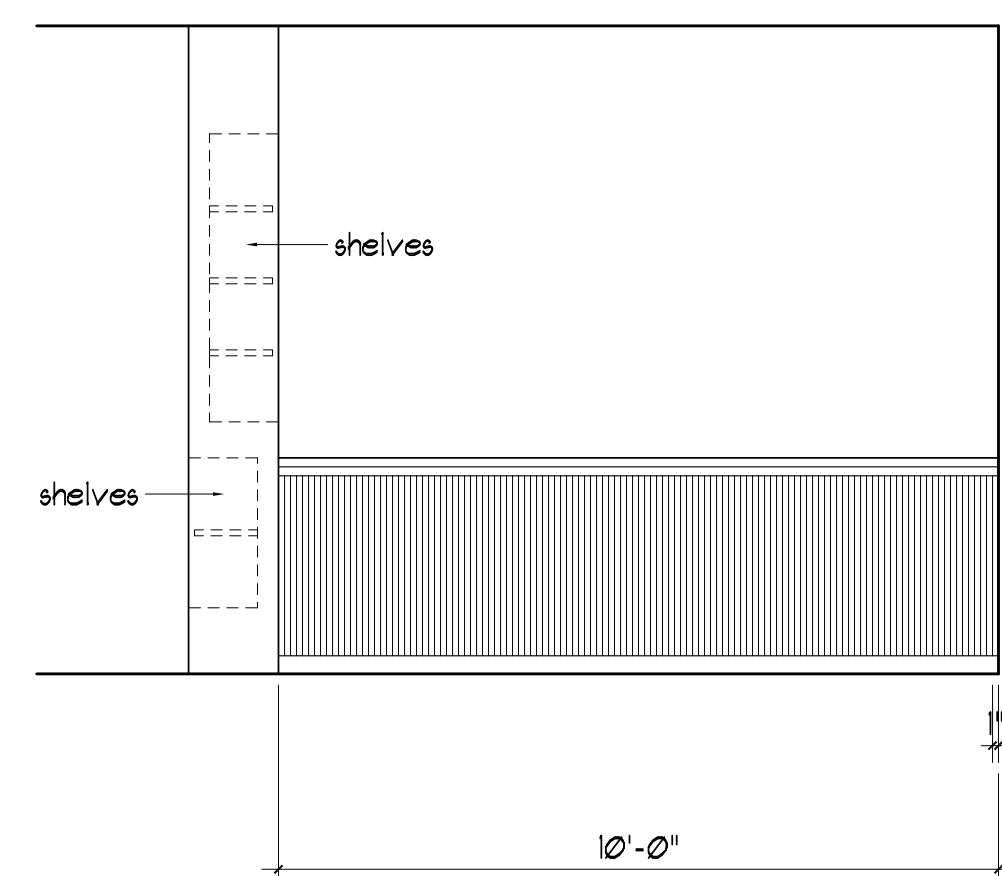
D Cabinet Cross Section
 Apartments 1B
 3/8" = 1'-0"



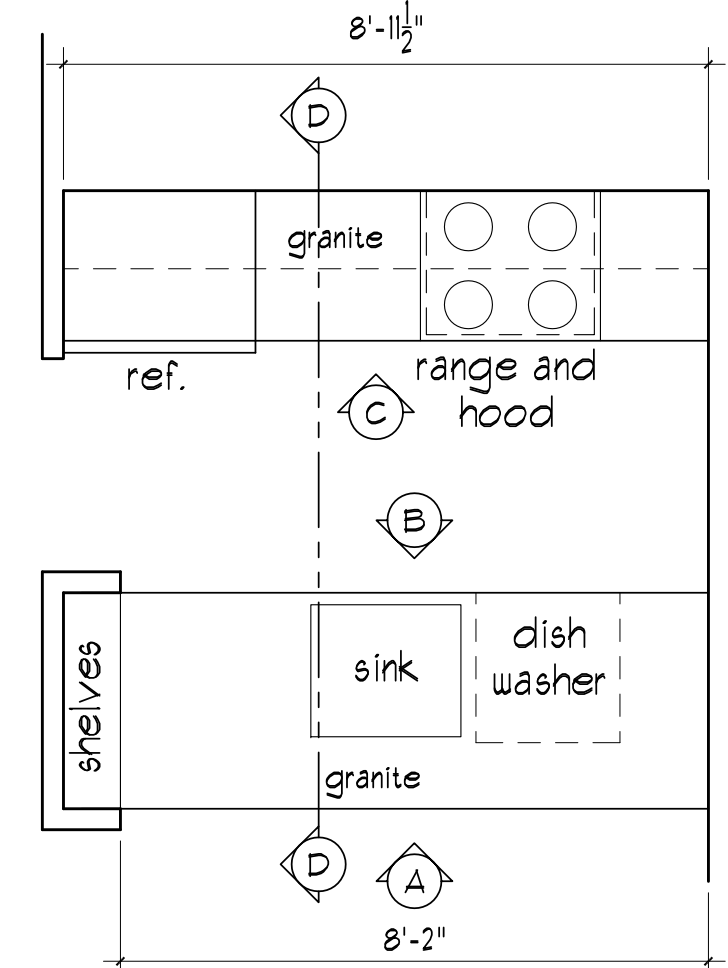
1 Kitchen Floor Plan
 Apartments 1A and 2A
 3/8" = 1'-0"



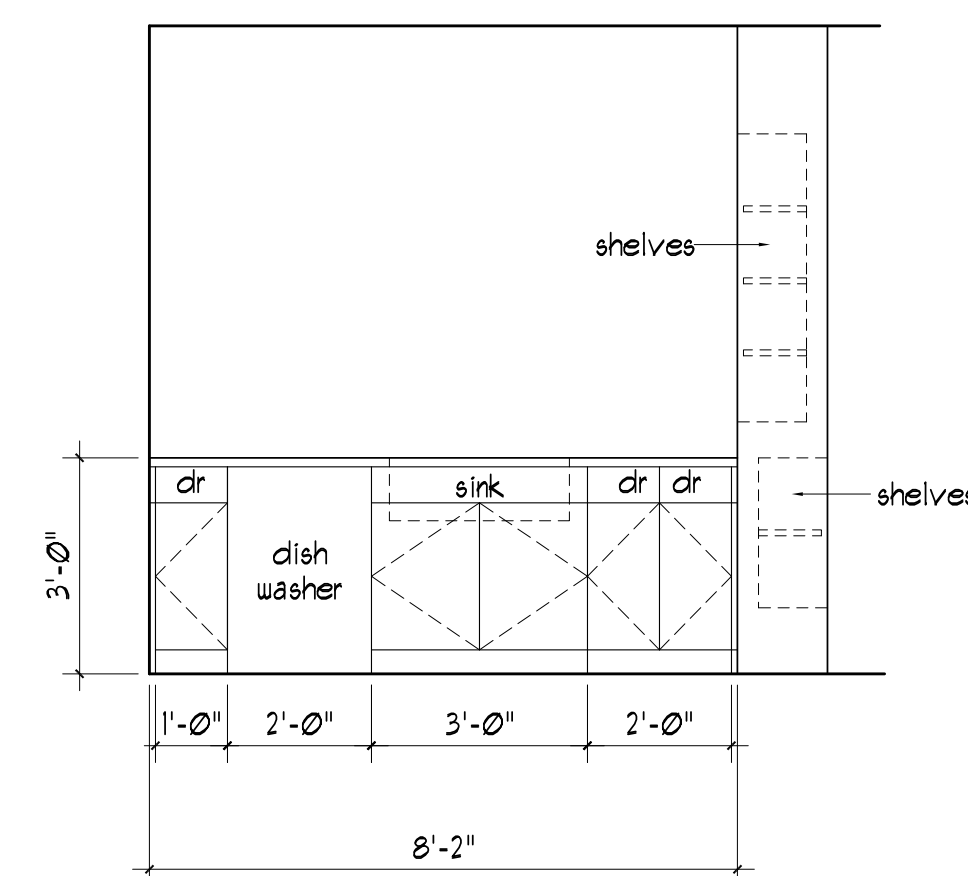
A Cabinet Elevation
 Apartments 1A and 2A
 3/8" = 1'-0"



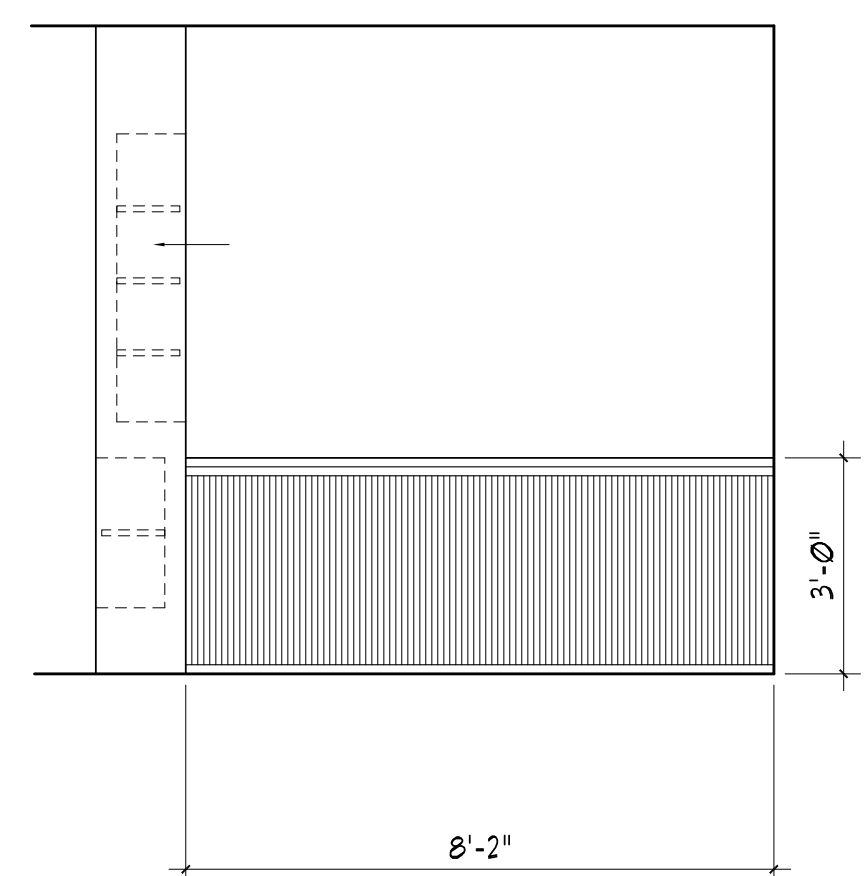
B Cabinet Elevation
 Apartments 1A and 2A
 3/8" = 1'-0"



2 Kitchen Floor Plan
 Apartment 1B
 3/8" = 1'-0"



A Cabinet Elevation
 Apartments 1B
 3/8" = 1'-0"



B Cabinet Elevation
 Apartments 1B
 3/8" = 1'-0"