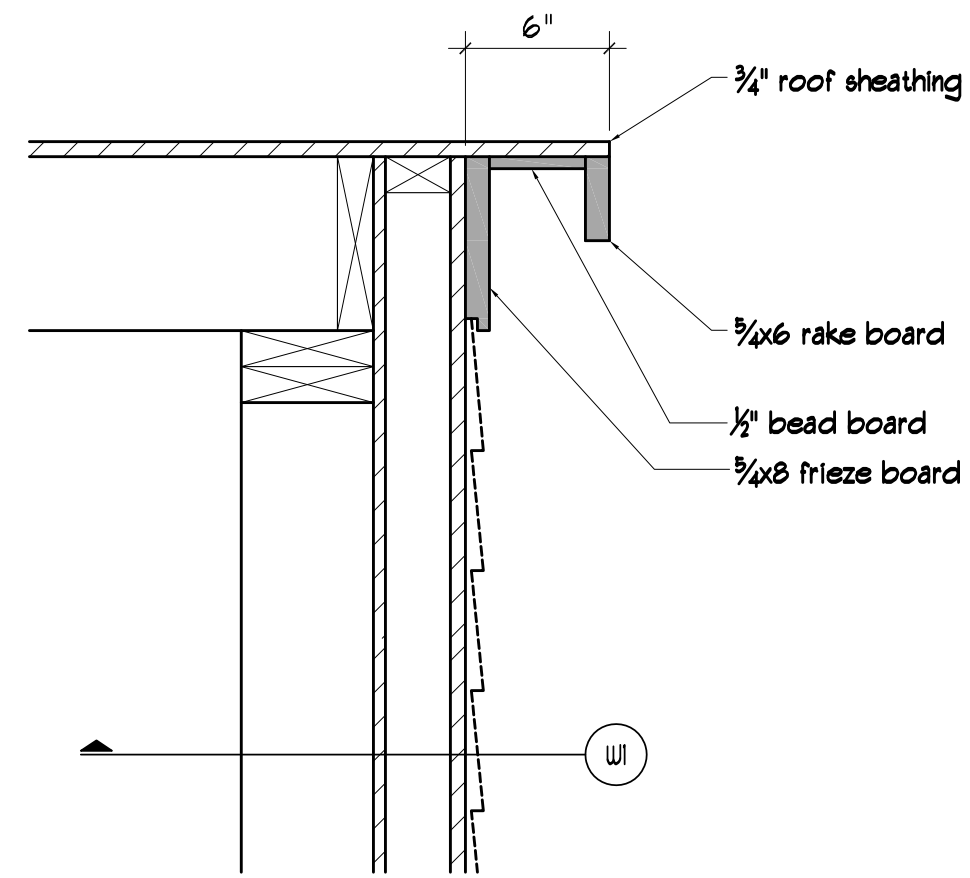
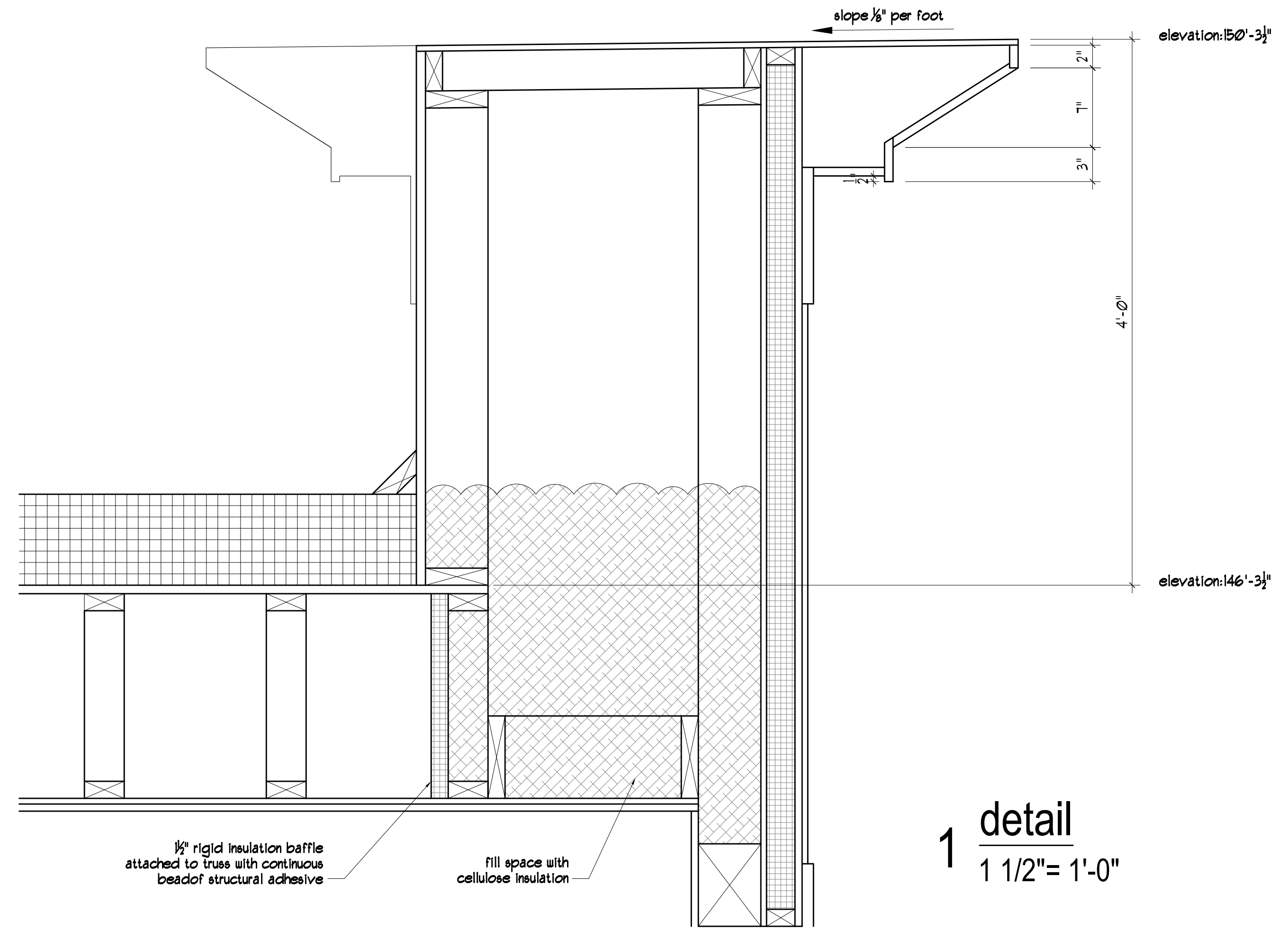


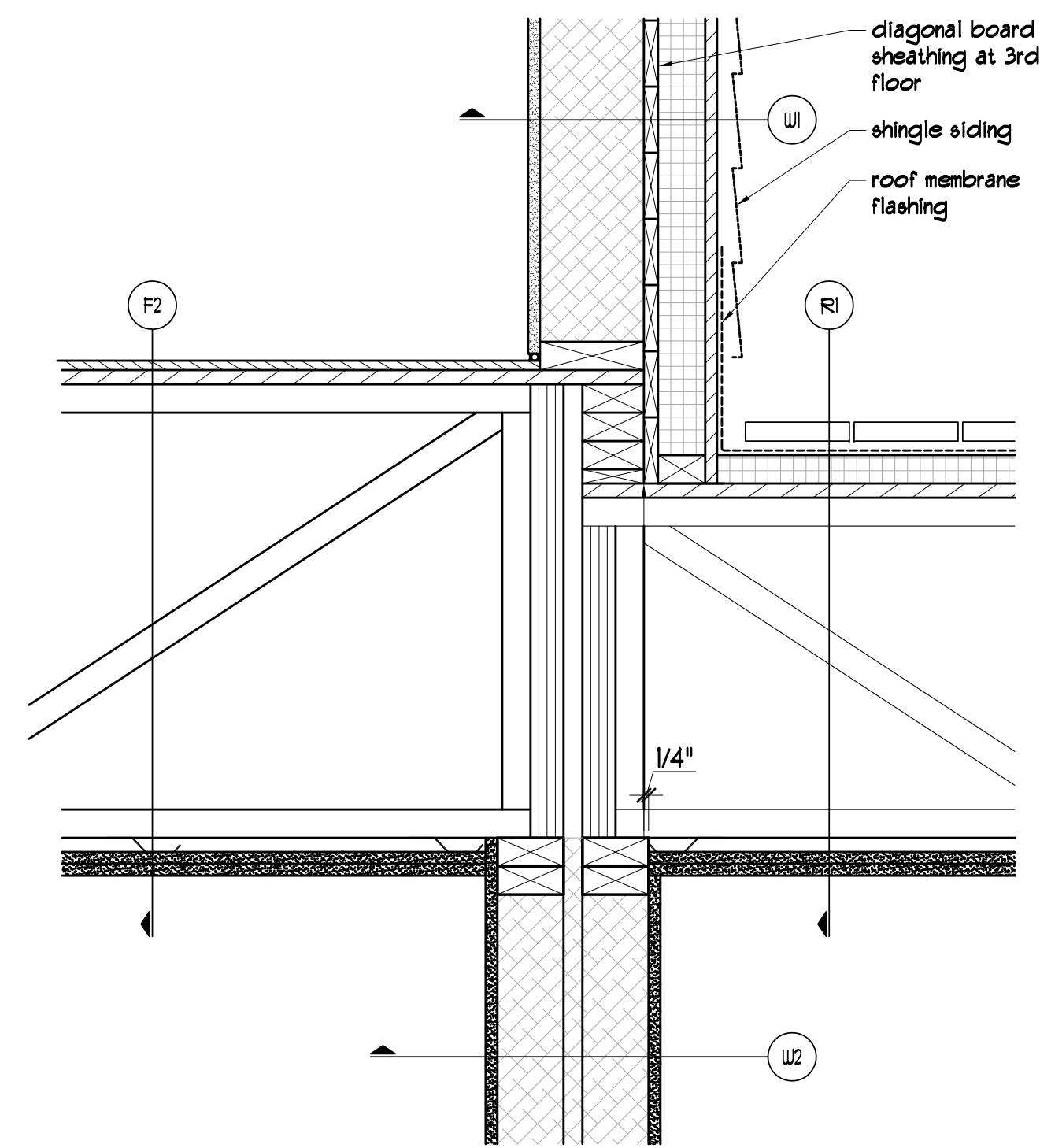
3 detail at eave
1 1/2" = 1'-0"



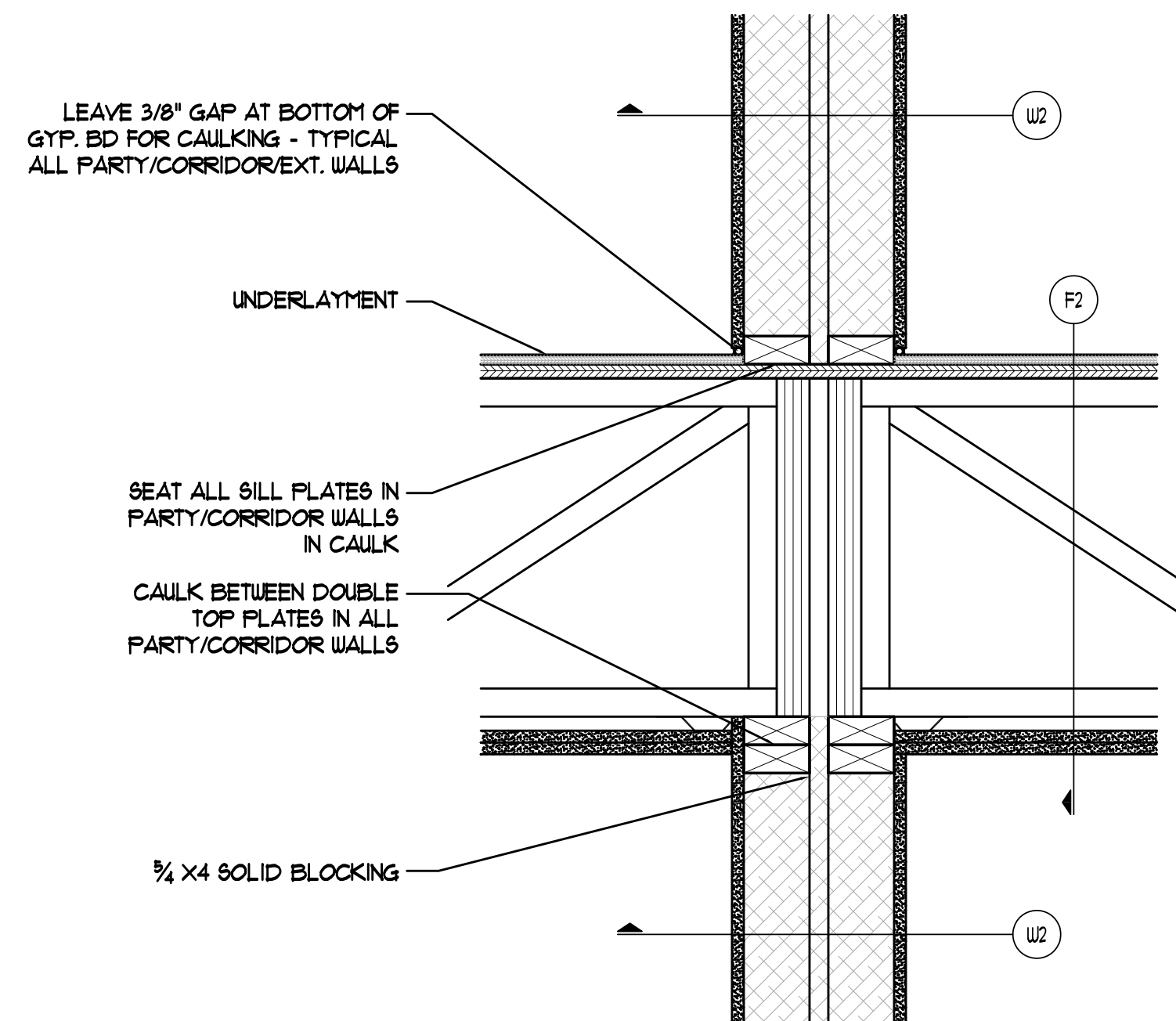
2 detail at rake
1 1/2" = 1'-0"



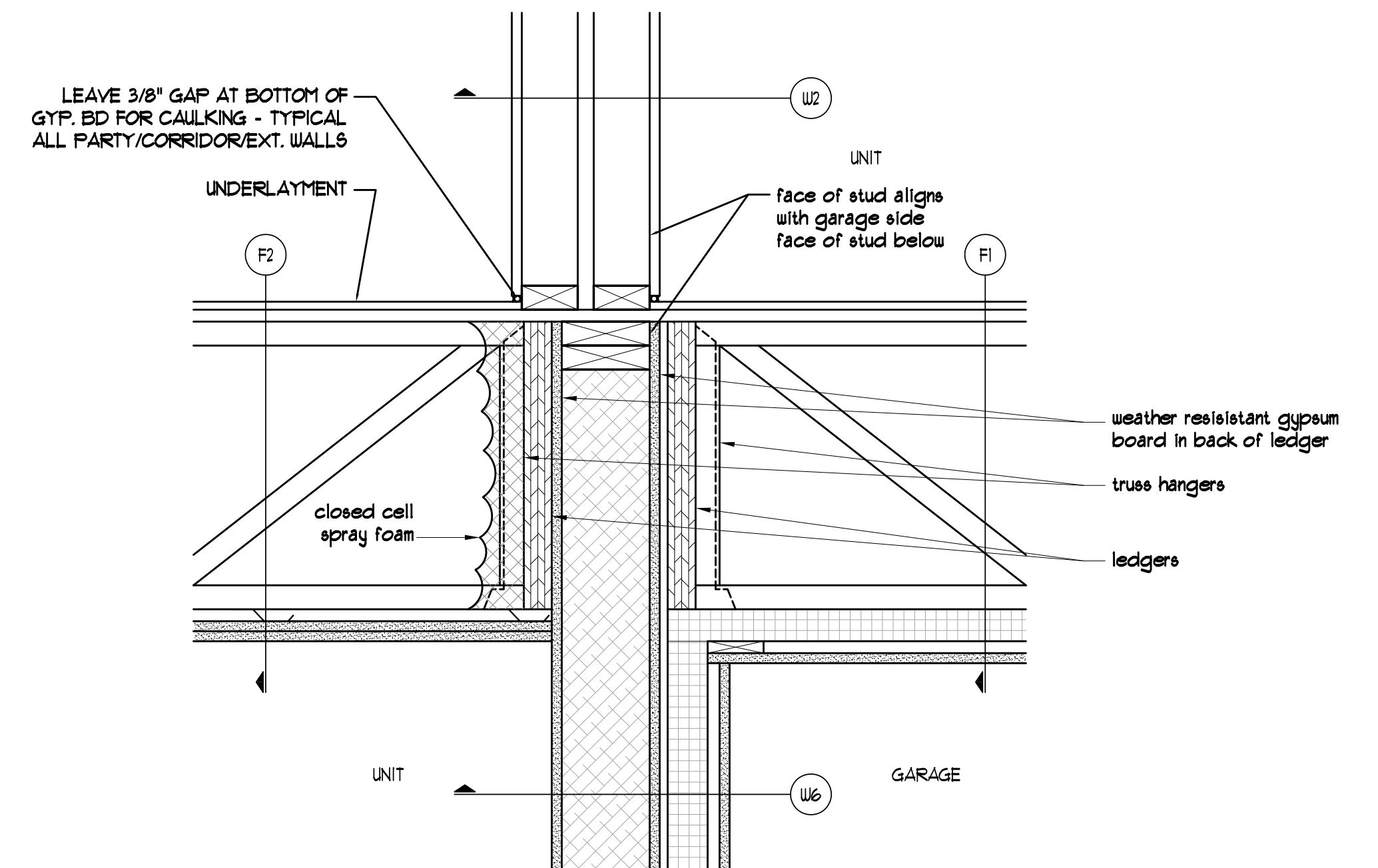
1 detail
1 1/2" = 1'-0"



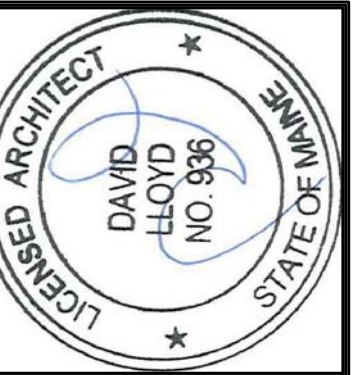
6 detail
1 1/2" = 1'-0"



5 detail
1 1/2" = 1'-0"



4 detail
1 1/2" = 1'-0"



Prepared For:
New Day Farm LLC
Gorham Maine

Consultant:
ARCHETYPE architects
48 Union Wharf Portland, Maine 04101
(207) 772-6022 Fax (207) 772-4056

Project:
Sheridan Street Townhouses
152 Sheridan Street
Portland Maine 04101

Revisions:

Date: March 07, 2014
Scale: 1/4" = 1'-0"

DETAILS
a5.1