

Prepared For:  
**New Day Farm LLC**

Gorham Maine

Consultant:



Architect

Project:  
**Sheridan Street Townhouses**

152 Sheridan Street  
Portland Maine 04101

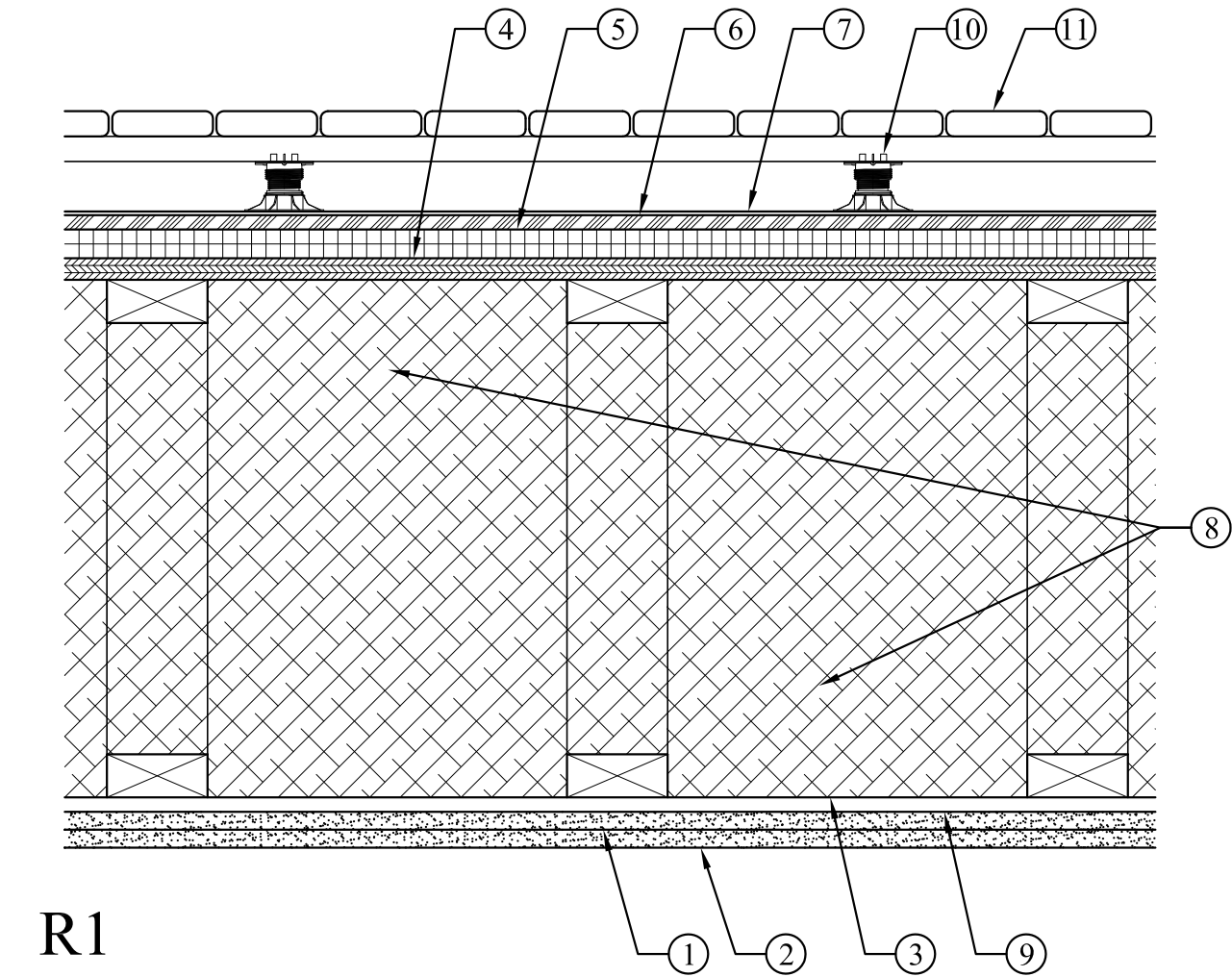
Revisions:

Scale: Not To Scale

Date: March 07, 2014

**ROOF TYPES**

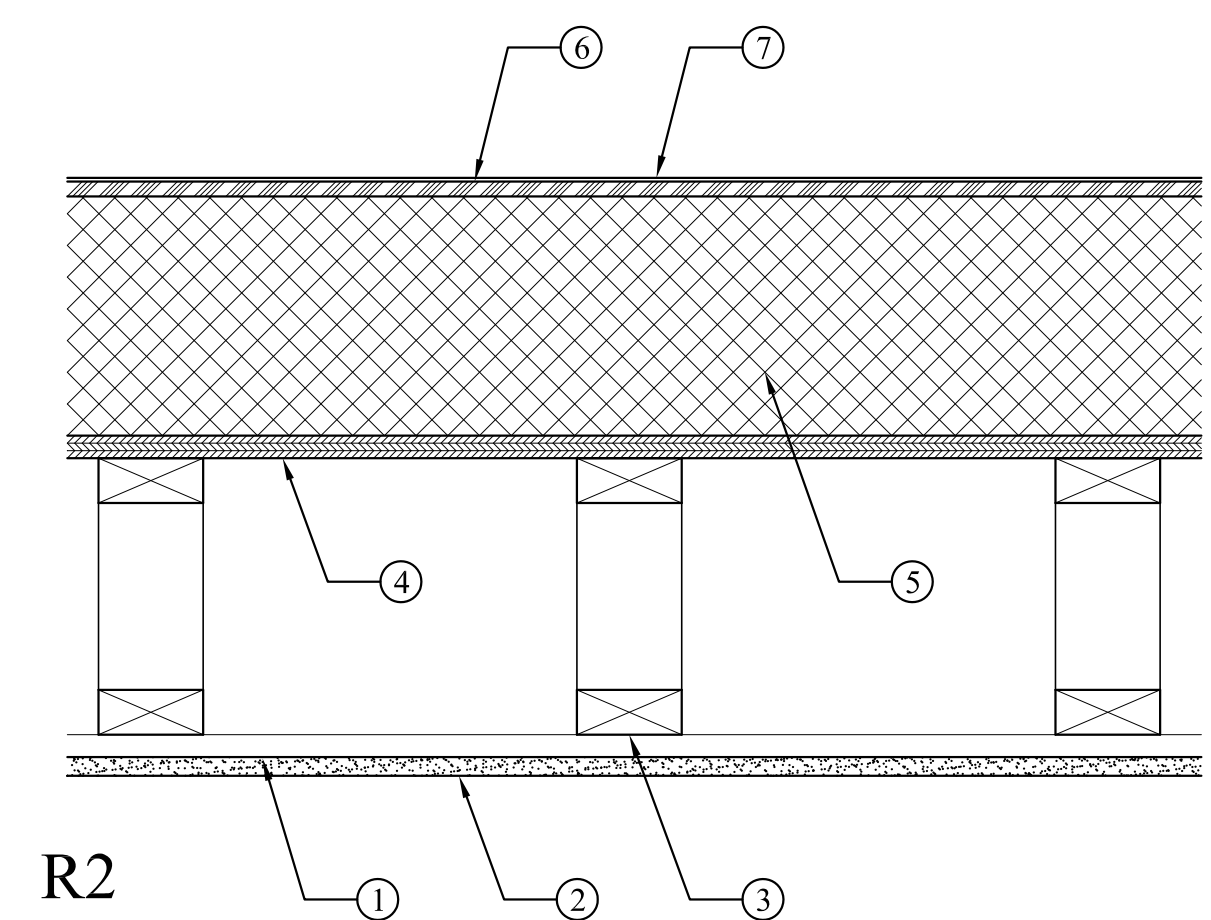
**a4.3**



R1

**R1** CEILING/ROOF ASSEMBLY

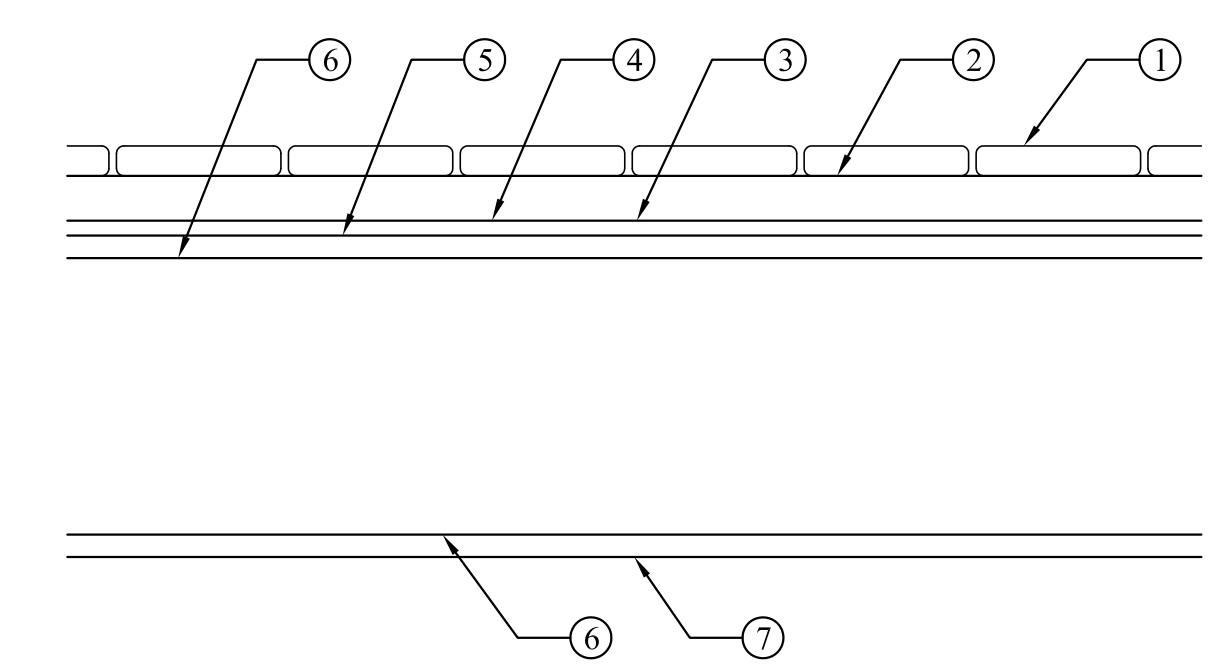
1. Base layer 5/8" type X gypsum wallboard applied at right angles to 1x3 wood strapping with 1-1/4" Type W or S drywall screws 24" o.c.
2. Face layer 5/8" type X gypsum wallboard or gypsum veneer base applied at right angles to joists with 17/8" Type W or S drywall screws 12" o.c. at joints and intermediate joists and 11/2" Type G drywall screws 12" o.c. placed 2" back on either side of end joints. Joints offset 24" from base layer joints.
3. Tapered trusses - 18" - 12" high @ 16" O.C. Chord and web members fabricated from 2 x 4 lumber with 20 gage steel connector plates having a minimum tooth length of 5/16". Plate design values based upon a safety factor of 4. Trusses have a minimum depth of 12".
4. 3/4" APA rated roof sheathing with exterior glue applied at right angles to top of trusses with 6d common nails 6" o.c. Plywood end joints staggered 48".
5. Exterior Insulation - 1 inch extruded polystyrene rigid insulation, with a min. R-value of 5 per inch.
6. 1/2" high density polyiso insulation
7. PVC roofing membrane
8. Fiber, Sprayed -- Spray applied cellulose material. The fiber is applied with water to completely fill the enclosed cavity in accordance with the application instructions supplied with the product. Nominal dry density of 3.0 lb/ft3.
9. Resilient channels - 25 ga 16" o.c. with 1 1/4" Type S drywall screws 12" o.c. Resilient channels applied at right angles to framing
10. BISON Innovative Products Manufacturing Co. Adjustable deck standoffs. Layout of standoffs to be provided by BISON IP
11. 24x24 nominal pre manufactured wood deck tiles



R2

**R2** CEILING/ROOF ASSEMBLY

- R-VALUE = 49+
1. Resilient channels - 25 ga 16" o.c. with 1 1/4" Type S drywall screws 12" o.c. Resilient channels applied at right angles to framing
  2. 5/8" type X gypsum wallboard
  3. Tapered trusses - 18" - 12" high @ 24" O.C.
  4. 1/2" apa rated roof sheathing with exterior glue applied at right angles to joists with 8d nails.
  5. 8" polyisocyanurate insulation (r minimum: 6.125 per inch)
  4. 1/2" high density polyiso insulation
  5. PVC roofing membrane



**R3** Exterior Waterproof Deck

1. decking
2. p.t. sleepers tapered level
3. waterproofing membrane
4. 1/2" high density polyiso insulation
5. 3/4" APA rated sheathing
6. 2x10 joists
7. pvc beadboard ceiling