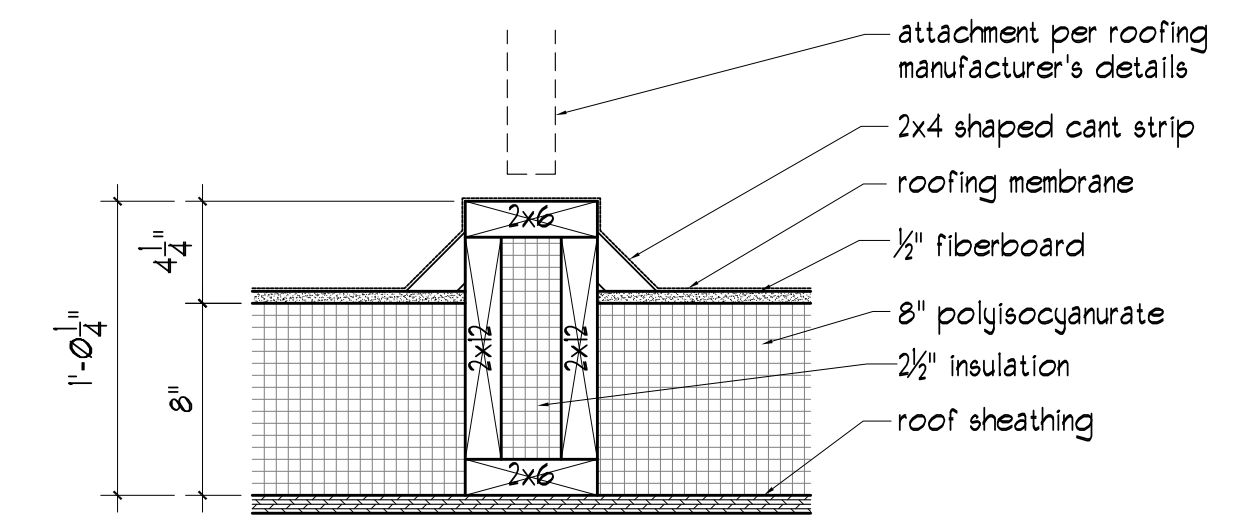
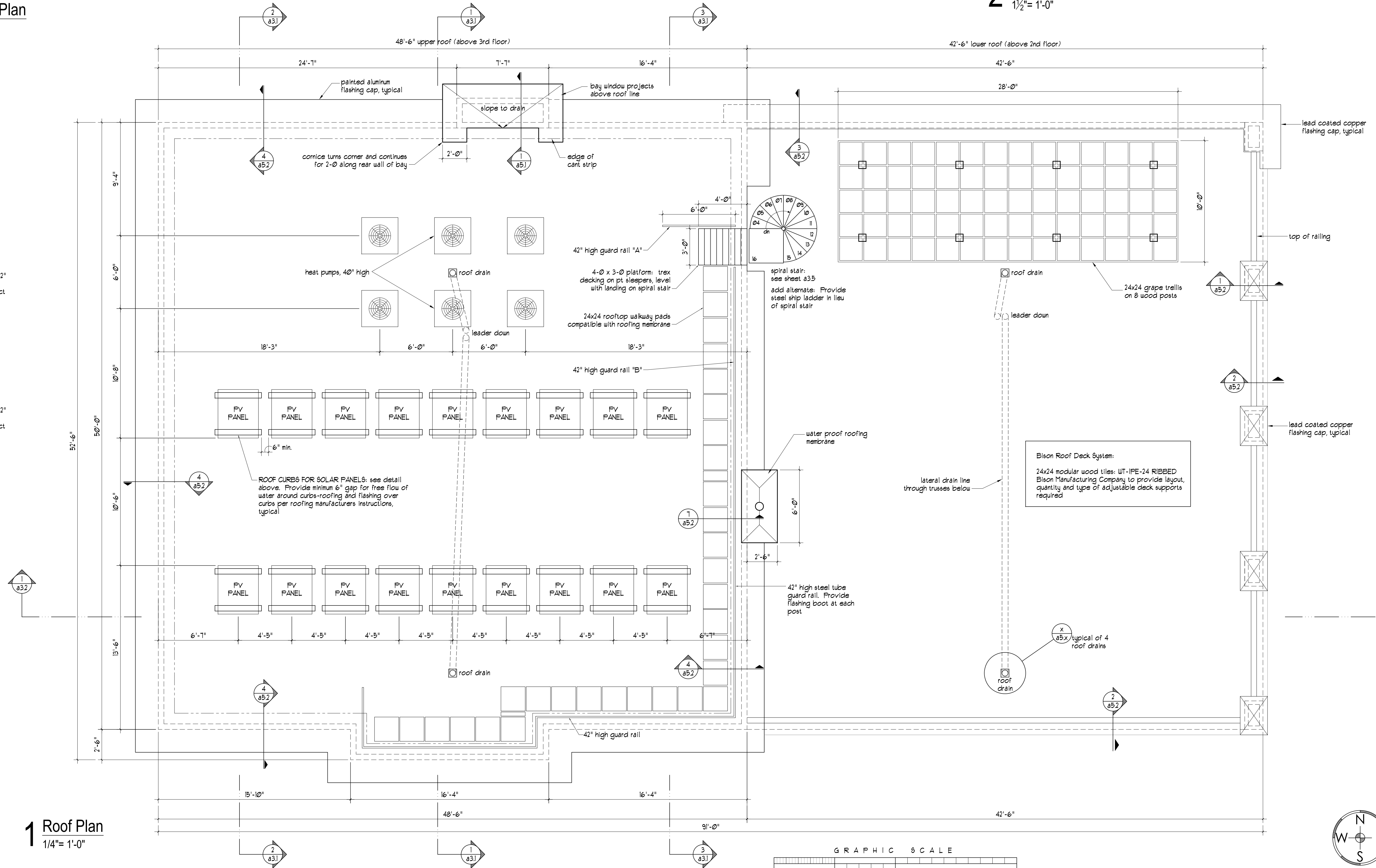
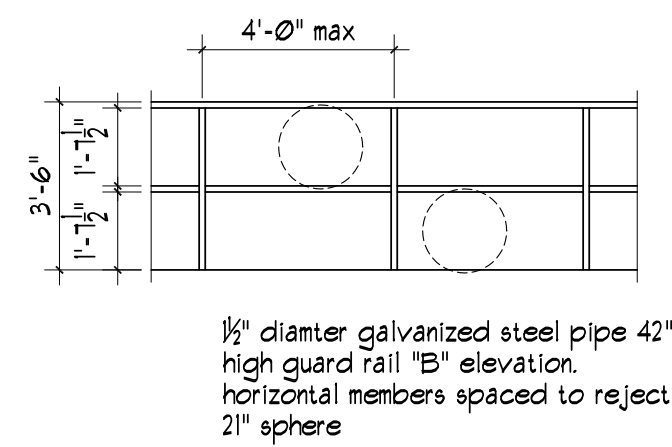
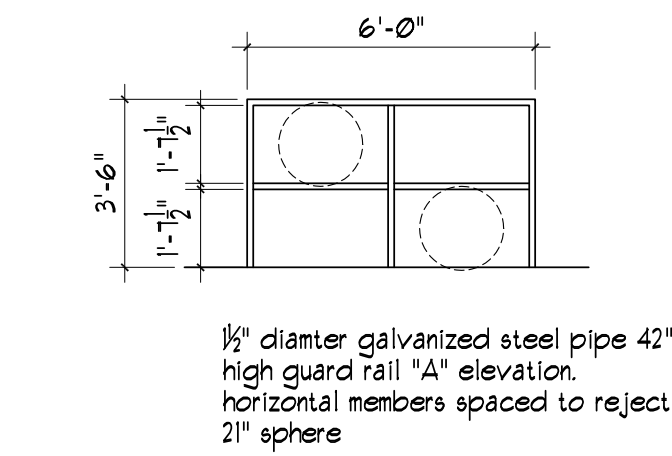


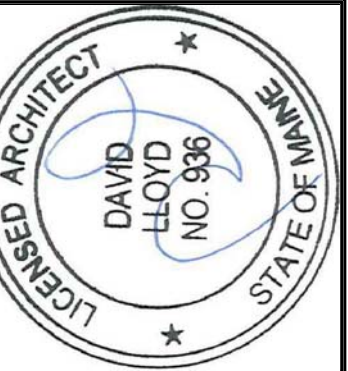
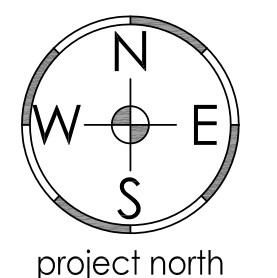
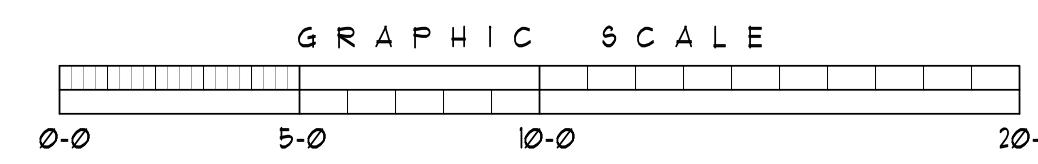
1 Schematic Roof Plan
1/16" = 1'-0"



2 Roof Curb
1/2" = 1'-0"



1 Roof Plan
1/4" = 1'-0"



Prepared For:
New Day Farm LLC
Gorham Maine

Consultant:
ARCHETYPE architects
48 Union Wharf Portland, Maine 04101
(207) 772-6022 Fax (207) 772-4056

Project:
Sheridan Street Townhouses
152 Sheridan Street
Portland Maine 04101

Revisions:

Date: March 10, 2014
Scale: 1/4" = 1'-0"

ROOF FLOOR PLAN
a1.4