

# ***SUBMITTAL***

*Job Title:*           **123 WASHINGTON**

*Contractor:*       HVAC SERVICES

*Elevation: (ft)*   62

*Date:*               5/18/2017

*Submitted By:*   Jeff Berry

**BUCKLEY ASSOCIATES INC**

**510 MAIN STREET**

**GORHAM, ME 04038**

**US**

**Phone:               (207)773-0078**

**Fax:                  (207)773-0074**

**Email Address:   jberry@buckleyonline.com**



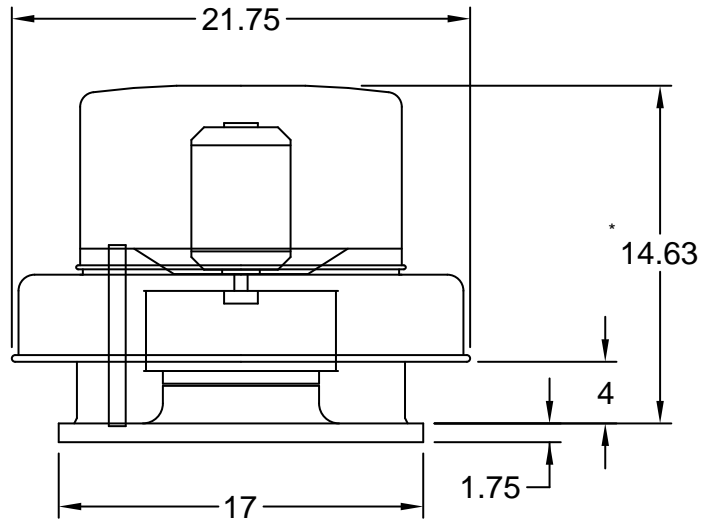
P.O. Box 410   Schofield, WI 54476   (715) 359-6171   FAX (715) 355-2399   www.greenheck.com

Generated by: jberry@buckleyonline.com

R:\Job Files\Greenheck\2017\123 WASHINGTON.gfcj

# Model: G-085-D

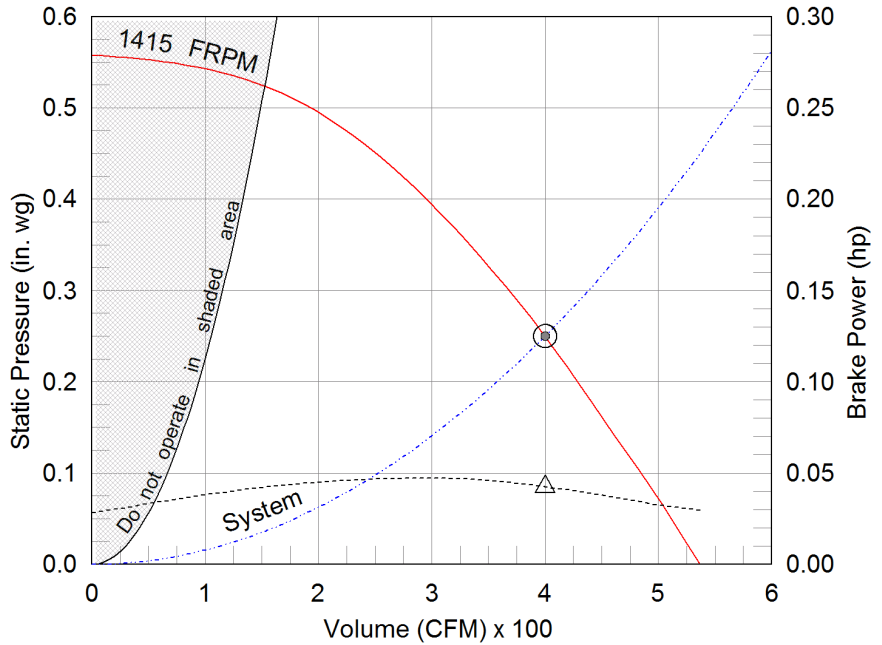
## Direct Drive Centrifugal Roof Exhaust Fan



\*Overall height may be greater depending on motor

Dimensional	
Quantity	1
Weight w/o Acc's (lb)	22
Weight w/ Acc's (lb)	25
Roof Opening (in.)	12.5 x 12.5

Performance	
Requested Volume (CFM)	400
Actual Volume (CFM)	400
External SP (in. wg)	0.25
Total SP (in. wg)	0.25
Fan RPM	1415
Operating Power (hp)	0.04
Elevation (ft)	62
Airstream Temp.(F)	70
Air Density (lb/ft3)	0.075
Tip Speed (ft/min)	4,029
Static Eff. (%)	37



- △ Operating Bhp point
- Operating point at Total SP
- Operating point at External SP
- Fan curve
- - - System curve
- ..... Brake horsepower curve

Motor	
Motor Mounted	Yes
Size (hp)	1/20 (or greater)
Voltage/Cycle/Phase	115/60/1
Enclosure	ODP
Motor RPM	1550
Windings	1

### Sound Power by Octave Band

Sound Data	62.5	125	250	500	1000	2000	4000	8000	LwA	dBA	Sones
Inlet	63	71	67	59	56	54	49	40	64	52	6.2

### Notes:

All dimensions shown are in units of in.  
\*Please consult factory for actual motor amp draw  
LwA - A weighted sound power level, based on ANSI S1.4  
dBA - A weighted sound pressure level, based on 11.5 dB attenuation per Octave band at 5 ft - dBA levels are not licensed by AMCA International  
Sones - calculated using AMCA 301 at 5 ft



---

## Model: G-085-D

### Direct Drive Centrifugal Roof Exhaust Fan

#### Standard Construction Features:

- Aluminum housing - Backward inclined wheel - Aluminum curb cap with prepunched mounting holes - Birdscreen - Ball bearing motors (sizes 100-180), sleeve bearing motors (sizes 60-95) - Motor isolated on shock mounts - Corrosion resistant fasteners

#### Selected Options & Accessories:

Motor with Thermal Overload  
UL/cUL 705 Listed - "Power Ventilators"  
Switch, NEMA-1, Toggle, Shipped with Unit  
Junction Box Mounted & Wired  
Solid State Speed Control, 6 Amp, Shipped Loose  
Unit Warranty: 1 Yr (Standard)