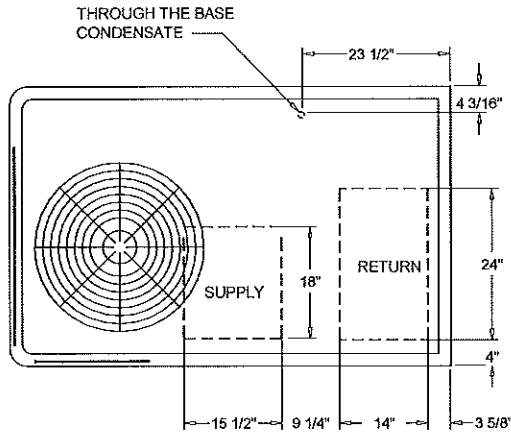
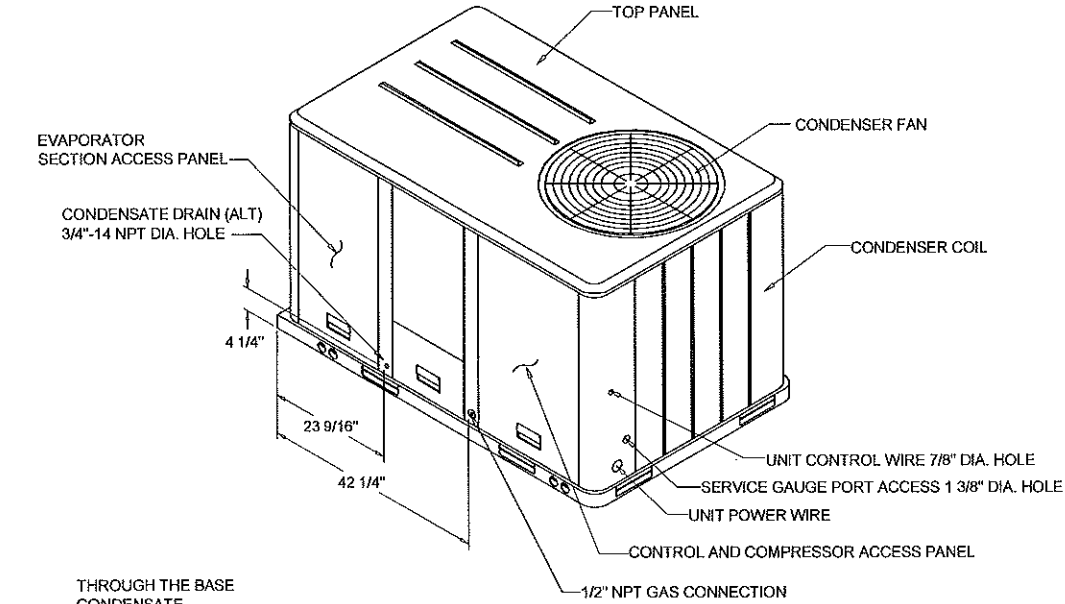


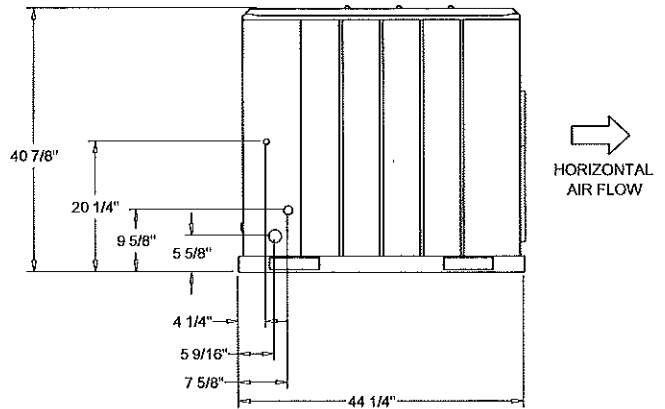
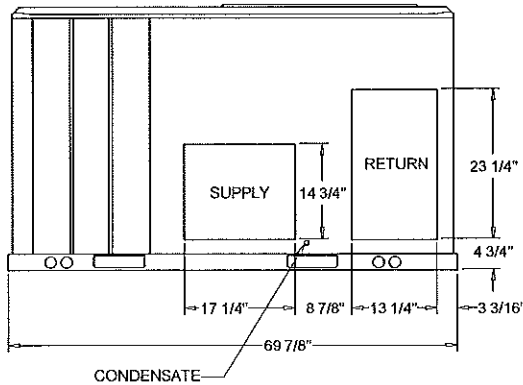
Unit Dimensions - 3-10 Ton R410A PKGD Unitary Gas/Electric Rooftop

Item: A1 Qty: 2



- NOTES:
1. THRU -THE -BASE GAS AND ELECTRICAL IS NOT STANDARD ON ALL UNITS.
  2. VERIFY WEIGHT, CONNECTION, AND ALL DIMENSION WITH INSTALLER DOCUMENTS BEFORE INSTALLATION

PLAN VIEW UNIT  
DIMENSION DRAWING



HORIZONTAL  
AIR FLOW

PACKAGED GAS / ELECTRICAL  
DIMENSION DRAWING