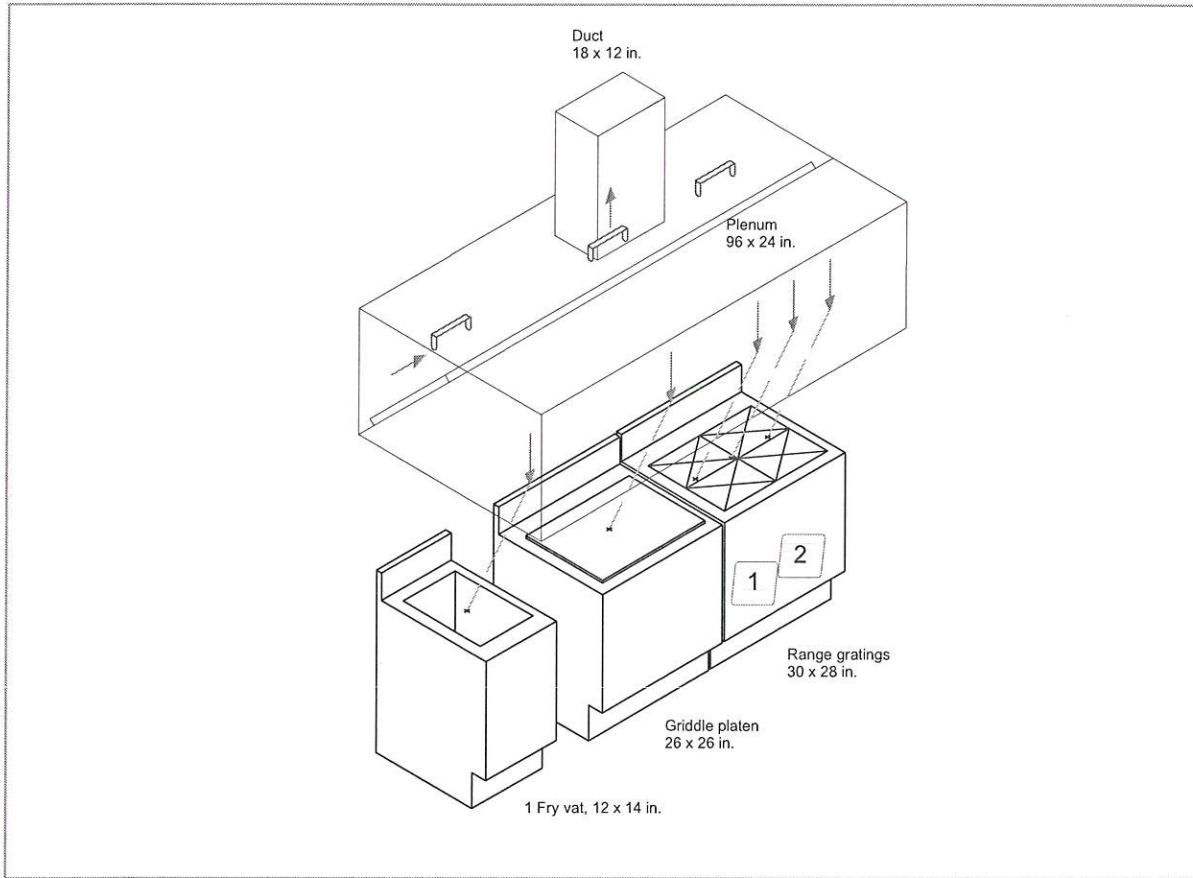




Install Date: 2017
 Maine Craft Distilling
 123 Washington Ave
 Portland, ME 04101

Allstate Fire Equipment
 44 Garden Street
 Danvers, MA 01923
 Linc Mulno
 781-224-1001
 lmulno@lfpfire.com
 MACR 4612



Flow Summary:

Coverage	Overall Dimensions	Nozzle	Flows	Nozzle Location
Hood: Single Bank	96 x 54 in.	1N	1	2-4 in. from filter face, center of height dimension, aimed down filter length.
Duct: Square	18 x 12 in.	2W	2	2-8 in. into center of duct opening, aimed up
Fryer: 1 vat	16 x 18 in.	3N	3	25-35 in., FRONT HALF of perimeter, aimed at center
Griddle	30 x 30 in.	1N	1	35-40 in., 0-2 in. inside perimeter, aimed at center
Range: 2 burners	36 x 32 in.	1F x3	3	40-48 in., front edge of burner, nozzle flats parallel with burner front-to-rea ... See Note 2
Total Flow Points			10	