

© 2016 RYAN SENATORE ARCHITECTURE

123 WASHINGTON  
123 WASHINGTON AVENUE  
PORTLAND, MAINE



RYAN SENATORE ARCHITECTURE  
565 CONGRESS STREET  
PORTLAND, MAINE 04101  
207-650-6414  
senatorearchitecture.com

CONSULTANTS:

REVISIONS:

DATE: DECEMBER 05, 2016

PROJECT No. 1638

DRAWN BY: JPF

CHECKED BY: RJS

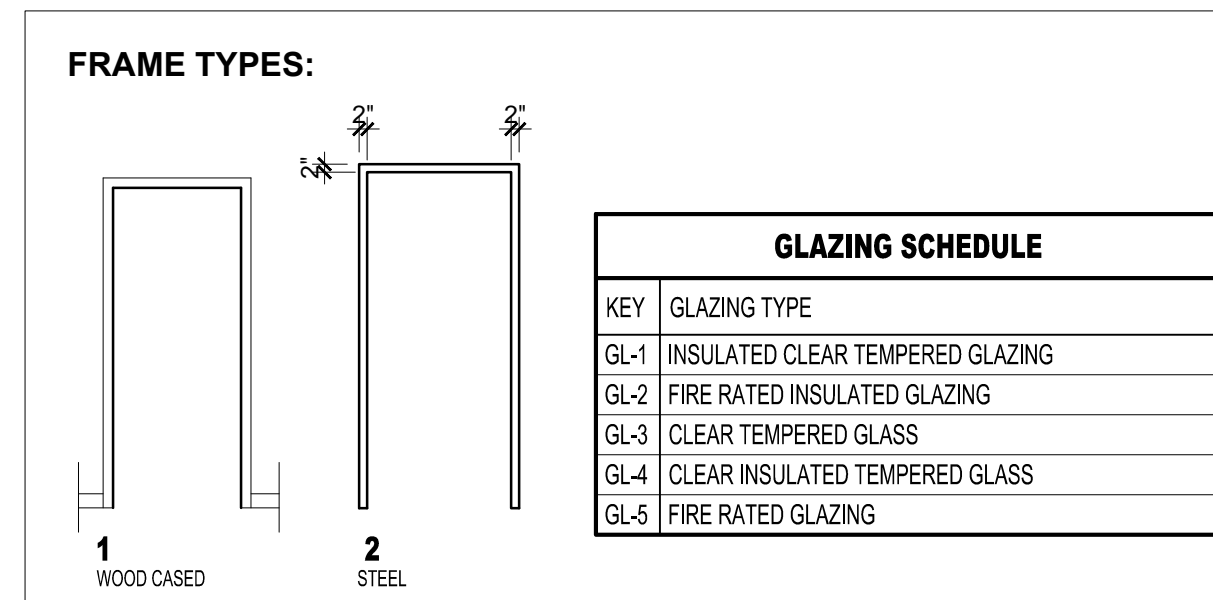
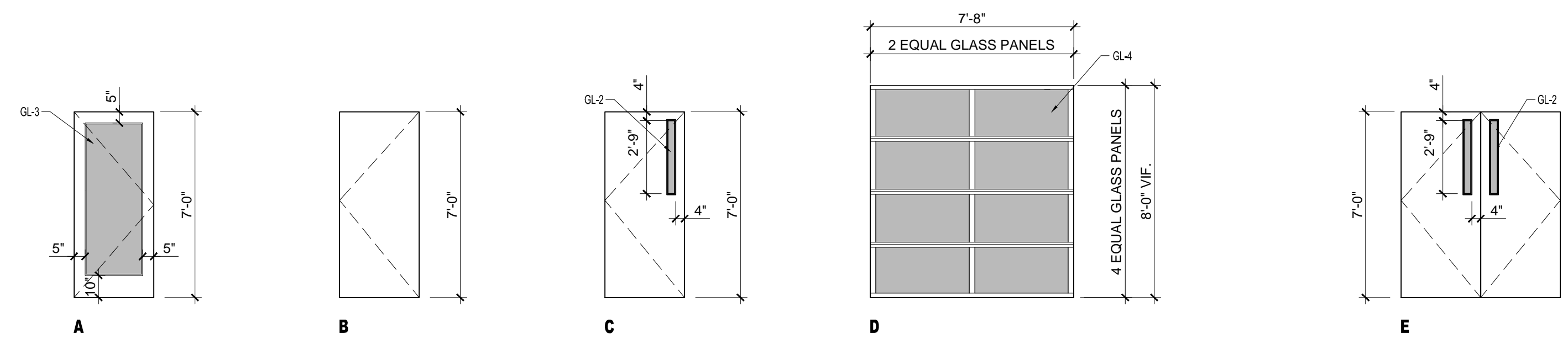
SCALE: AS NOTED

SHEET TITLE:  
DOOR  
SCHEDULE

A7-0

LEGEND:  
T = TEMPERED GLASS  
F = FIXED  
STN = STAINED  
PTD = PAINTED  
ANO = ANNODIZED  
AL = ALUMINUM  
STL = STEEL

- DOOR NOTES:**
- 1) ALL EXTERIOR GLAZING TO BE LOW-E ARGON FILLED INSULATED GLAZING UNITS
  - 2) FRAME ALL OPENINGS WITH ELEVATIONS
  - 3) SEAL EXTERIOR DOORS TO ROUGH OPENING WITH LOW EXPANDING FOAM INSULATION - SEE DETAILS
  - 4) ALL DOOR HARDWARE TO BE 'LEVER' TYPE
  - 5) ALL EXTERIOR DOORS TO BE WEATHERSTRIPPED



1 DOOR TYPES  
1/4" = 1'-0"

DOOR SCHEDULE																			
DOOR NO.	TYPE	DOOR					FRAME					GENERAL							
		SIZE			MATERIAL	FINISH	INSULATED	TYPE	MATERIAL	DETAILS			CLOSER	FIRE RATING (MINUTES)	HARDWARE KEY	REMARKS	NOTE: FOR DOOR HARDWARE SEE DOOR HARDWARE SPECIFICATION SECTION 08710		
		WIDTH	HEIGHT	THICKNESS						HEAD	JAMB	SILL							
100.1	C	3'-0"	7'-0"	1-3/4"	STL	PTD	Y	2	STL	AL	-	-	-	Y	-	-	THERMALLY BROKEN STEEL DOOR WITH PANIC HARDWARE		
110.1	A	3'-0"	7'-0"	1-3/4"	AL	ANO	Y	-	AL	AL	-	-	-	Y	-	-	THERMALLY BROKEN STOREFRONT DOOR WITH PANIC HARDWARE		
110.2	D	7'-8"	6'-0"	1-3/4"	AL	ANO	Y	-	AL	AL	-	-	-	-	-	-	OVERHEAD DOOR, BY OVERHEAD DOOR, S21 SERIES (OR EQUAL), FINISH TO MATCH ADJACENT STOREFRONT		
111.1	B	3'-0"	7'-0"	1-3/4"	WD	STN	-	2	STL	-	-	-	-	Y	-	-			
112.1	B	3'-0"	7'-0"	1-3/4"	WD	STN	-	2	STL	-	-	-	-	Y	-	-			
120.1	A	3'-0"	7'-0"	1-3/4"	AL	ANO	Y	-	AL	AL	-	-	-	Y	-	-	THERMALLY BROKEN STOREFRONT DOOR WITH PANIC HARDWARE		
120.2	A	3'-0"	7'-0"	1-3/4"	AL	ANO	Y	-	AL	AL	-	-	-	Y	-	-	THERMALLY BROKEN STOREFRONT DOOR WITH PANIC HARDWARE		
120.3	E	6'-0"	7'-0"	1-3/4"	STL	PTD	Y	2	STL	-	-	-	-	Y	60	-	FIRE RATED DOOR		
121.1	C	3'-0"	7'-0"	1-3/4"	STL	PTD	Y	2	STL	AL	-	-	-	Y	-	-	THERMALLY BROKEN STEEL DOOR WITH PANIC HARDWARE		
122.1	B	3'-0"	7'-0"	1-3/4"	WD	STN	-	2	STL	-	-	-	-	Y	-	-			
123.1	B	3'-0"	7'-0"	1-3/4"	WD	STN	-	2	STL	-	-	-	-	Y	-	-			
124.1	E	6'-0"	7'-0"	1-3/4"	STL	PTD	Y	2	STL	-	-	-	-	Y	60	-			
140.1	B	3'-0"	7'-0"	1-3/4"	STL	PTD	Y	2	STL	AL	-	-	-	Y	60	-	FIRE DOOR WITH PANIC HARDWARE		