

EXHAUST FAN INFORMATION - Job#2905587

FAN UNIT NO.	TAG	FAN UNIT MODEL #	CFM	ESP.	RPM	HP.	B.H.P.	#	VOLT	FLA	WEIGHT (LBS.)	SONES
1		DJ33HFA	600	0.350	1070	0.333	0.1390	1	115	5.6	113	6.4

FAN OPTIONS

FAN UNIT NO.	OPTION (Qty. - Descr.)
1	1 - Grease Box
1	1 - Full Grating For Exhaust Fans
1	1 - 3 Year Extended Motor Warranty
1	1 - Fan Base Ceramic Seal - For Grease Ducts

FAN ACCESSORIES

FAN UNIT NO.	TAG	EXHAUST				SUPPLY		
		GREASE CUP	GRAVITY DAMPER	WALL MOUNT	SIDE DISCHARGE	GRAVITY DAMPER	MOTORIZED DAMPER	WALL MOUNT
1		YES						

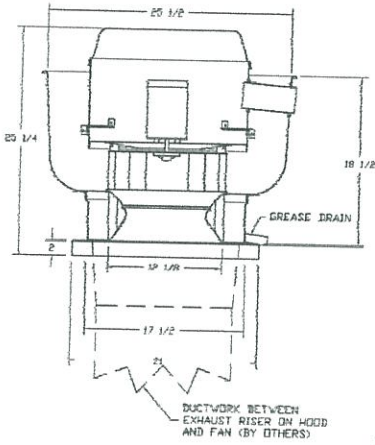
CURB ASSEMBLIES

NO.	ON FAN	WEIGHT	ITEM	SIZE
1	1	34 LBS	Curb	19.500"W x 19.500"H x 24.000"D 3.000(12.000) Pitch Vented ringed

FAN SOUND INFORMATION

FAN UNIT NO.	MOTOR	RPM	LWA	SONES	ISA	DISTANCE FT	OCTAVE 1	OCTAVE 2	OCTAVE 3	OCTAVE 4	OCTAVE 5	OCTAVE 6	OCTAVE 7	OCTAVE 8
1	Exhaust	1070	69.2	8.4	57.7	5	68.2	73.4	71.9	65.3	62	60.7	53.9	42.9

FAN #1 DJ33HFA - EXHAUST FAN



FEATURES:

- DIRECT DRIVE CONSTRUCTION (NO BELTS/PULLEYS)
- ROOF MOUNTED FANS
- RESTAURANT MODEL
- 12 TIES AND 18 TAPS
- VARIABLE SPEED CONTROL
- INTERNAL WIRING
- WEATHERPROOF DISCONNECT
- THERMAL OVERLOAD PROTECTION (SINGLE PHASE)
- HIGH HEAT OPERATION 300°F (149°C)
- GREASE CLASSIFICATION TESTING

NORMAL TEMPERATURE TEST

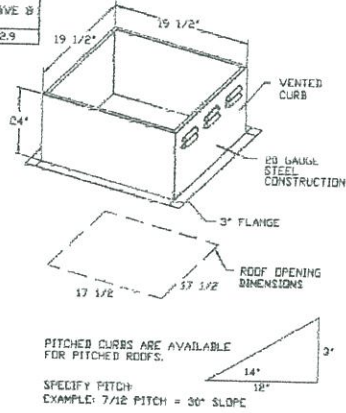
FAN MUST OPERATE CONTINUOUSLY WHILE EXHAUSTING AIR AT 300°F (149°C) UNTIL ALL FAN PARTS HAVE REACHED THERMAL EQUILIBRIUM AND WITHOUT ANY DEGRADATING EFFECTS TO THE FAN WHICH WOULD CAUSE UNSAFE OPERATION.

ABNORMAL FLARE-UP TEST

EXHAUST FAN MUST OPERATE CONTINUOUSLY WHILE EXHAUSTING BURNING GREASE VAPORS AT 300°F (149°C) FOR A PERIOD OF 15 MINUTES WITHOUT THE FAN BECOMING DAMAGED TO ANY EXTENT THAT COULD CAUSE AN UNSAFE CONDITION.

OPTIONS

- GREASE BOX
- FULL GRATING FOR EXHAUST FANS
- 3 YEAR EXTENDED MOTOR WARRANTY
- FAN BASE CERAMIC SEAL - FOR GREASE DUCTS



PITCHED CURBS ARE AVAILABLE FOR PITCHED ROOFS.

SPECIFY PITCH
EXAMPLE: 7/12 PITCH = 30° SLOPE

ROOF PITCH FOR CURB(S) MUST BE SPECIFIED PRIOR TO RELEASING ORDER

CUSTOMER APPROVAL TO MANUFACTURE:

Approved as Noted

Approved with NO Exception Taken

Revise and Resubmit

SIGNATURE _____

Your Title _____ Date _____



JOB A&C Grocer	
LOCATION Bladeford, ME.	
DATE 3/9/2017	JOB # 2905587
DWG # 3	DRAWN BY BFC-21
REV.	SCALE 3/8" = 1'-0"