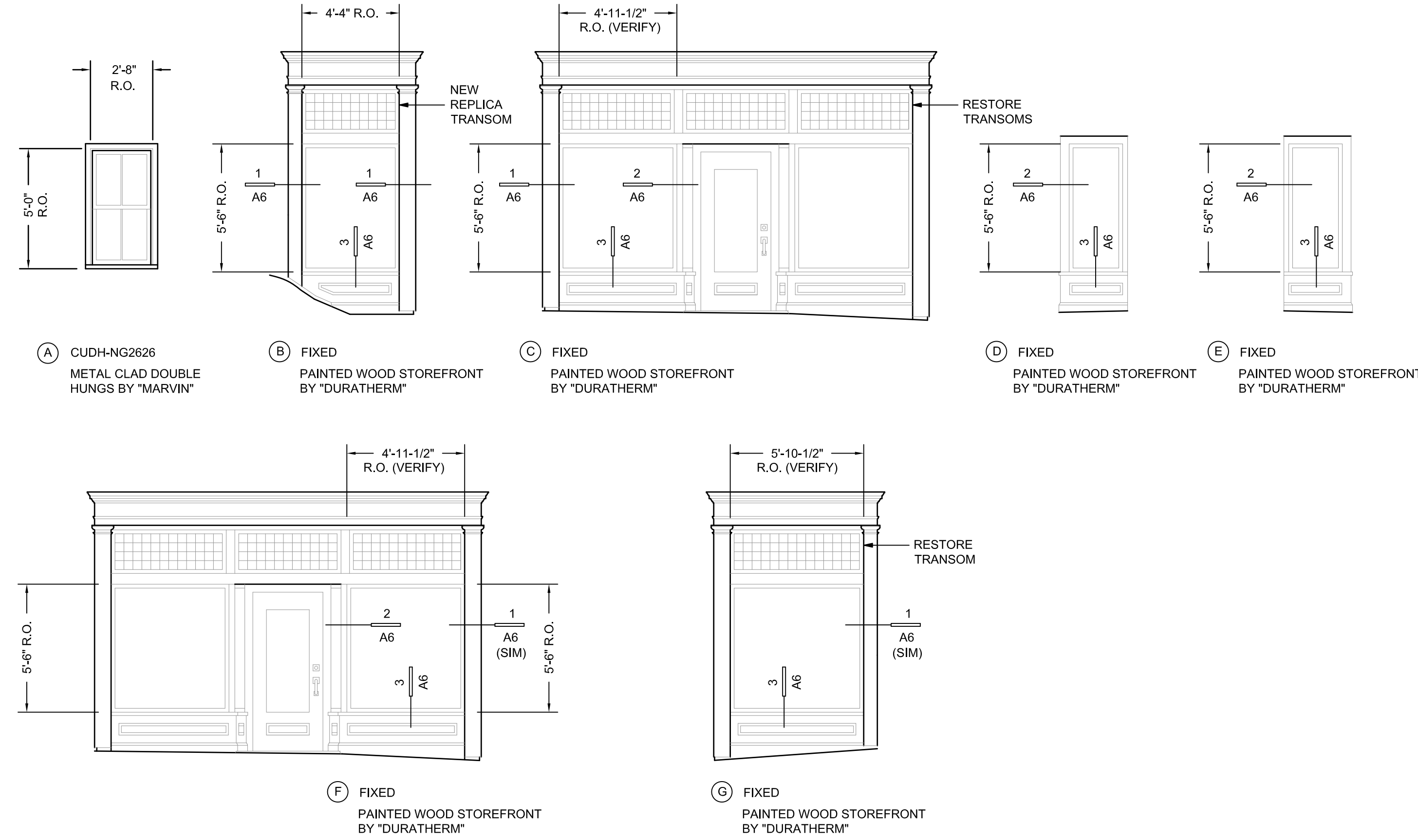
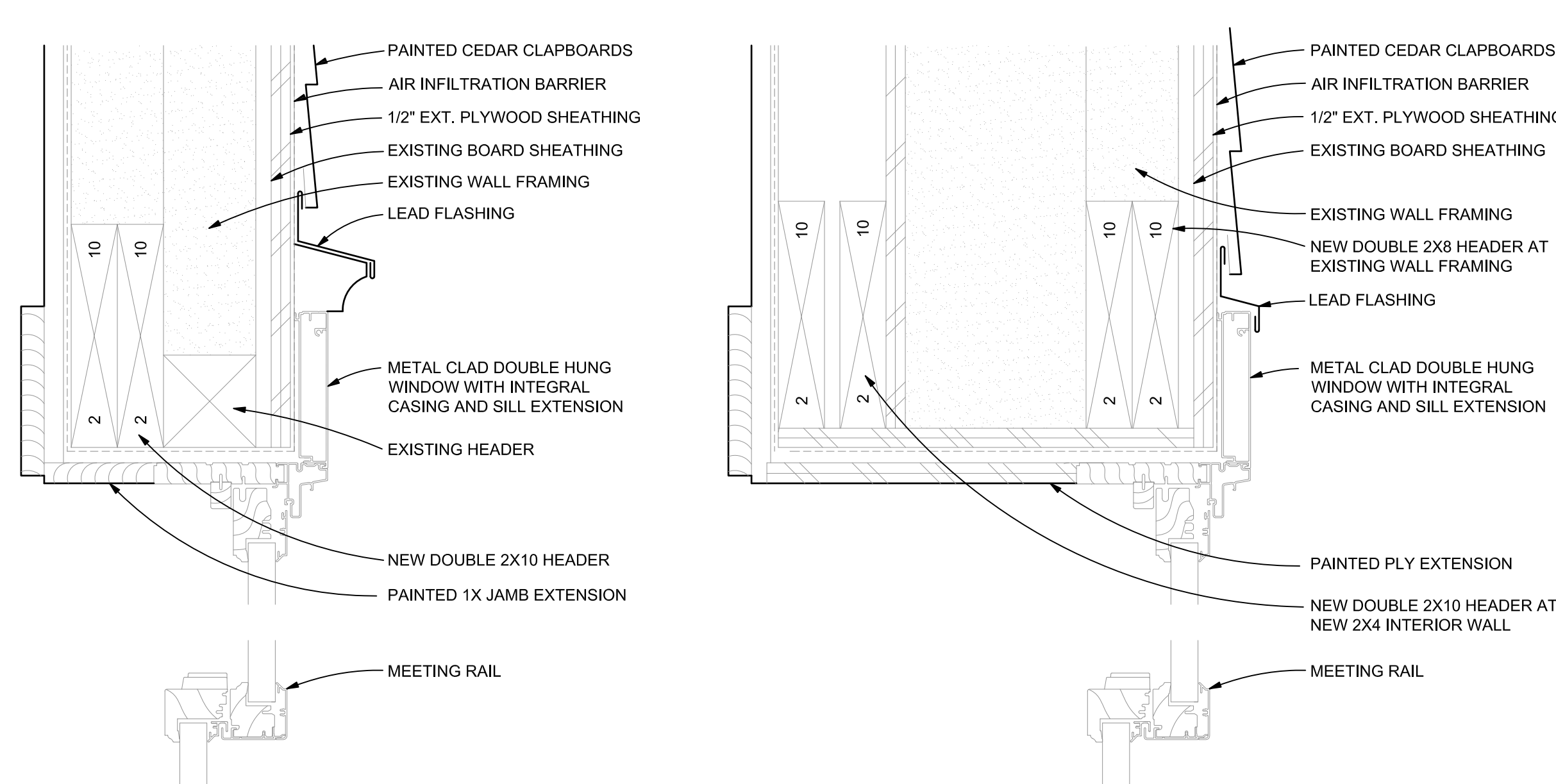


WINDOW TYPES

1/4" = 1'-0"



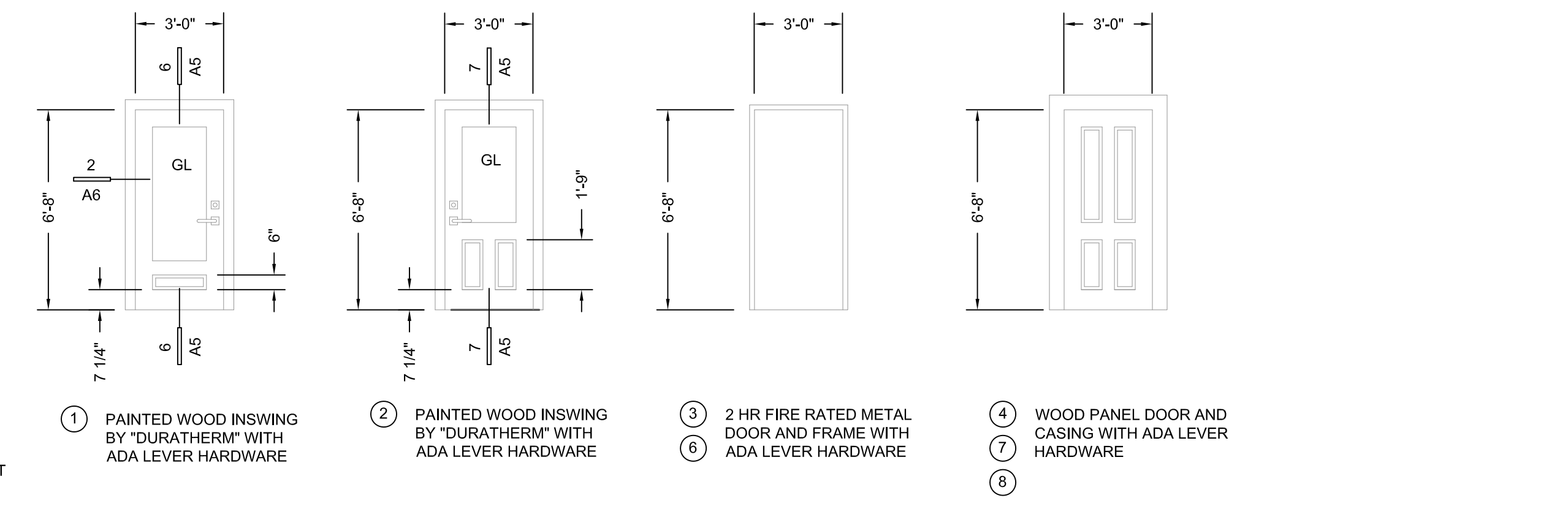
(A) CUDH-NG2626 METAL CLAD DOUBLE HUNGS BY "MARVIN"
 (B) FIXED PAINTED WOOD STOREFRONT BY "DURATHERM"
 (C) FIXED PAINTED WOOD STOREFRONT BY "DURATHERM"
 (D) FIXED PAINTED WOOD STOREFRONT BY "DURATHERM"
 (E) FIXED PAINTED WOOD STOREFRONT BY "DURATHERM"



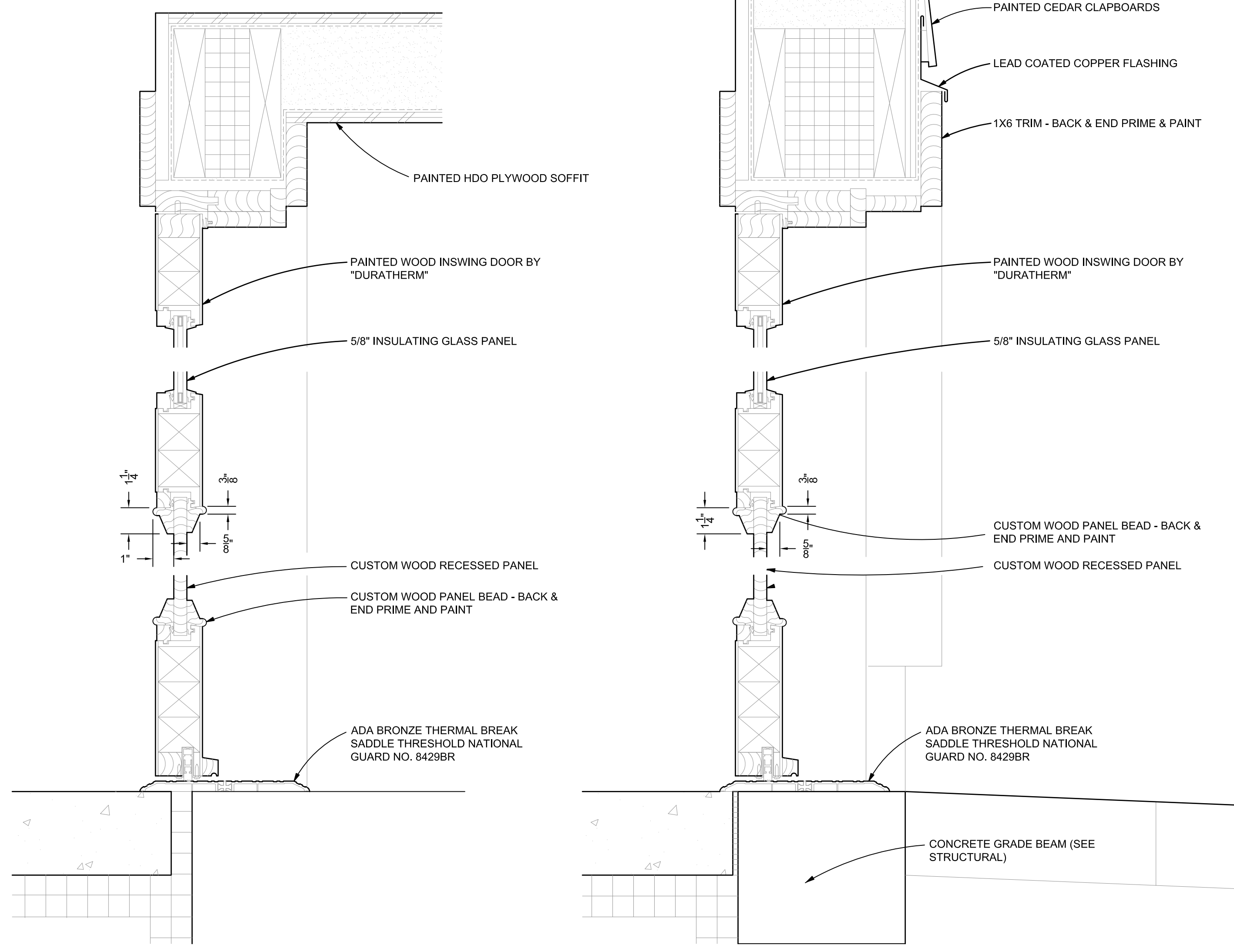
(1) WINDOW HEAD DETAIL 3" = 1'-0"
 (2) WINDOW SILL DETAIL 3" = 1'-0"
 (3) WINDOW HEAD DETAIL 3" = 1'-0"
 (4) WINDOW SILL DETAIL 3" = 1'-0"

DOOR TYPES

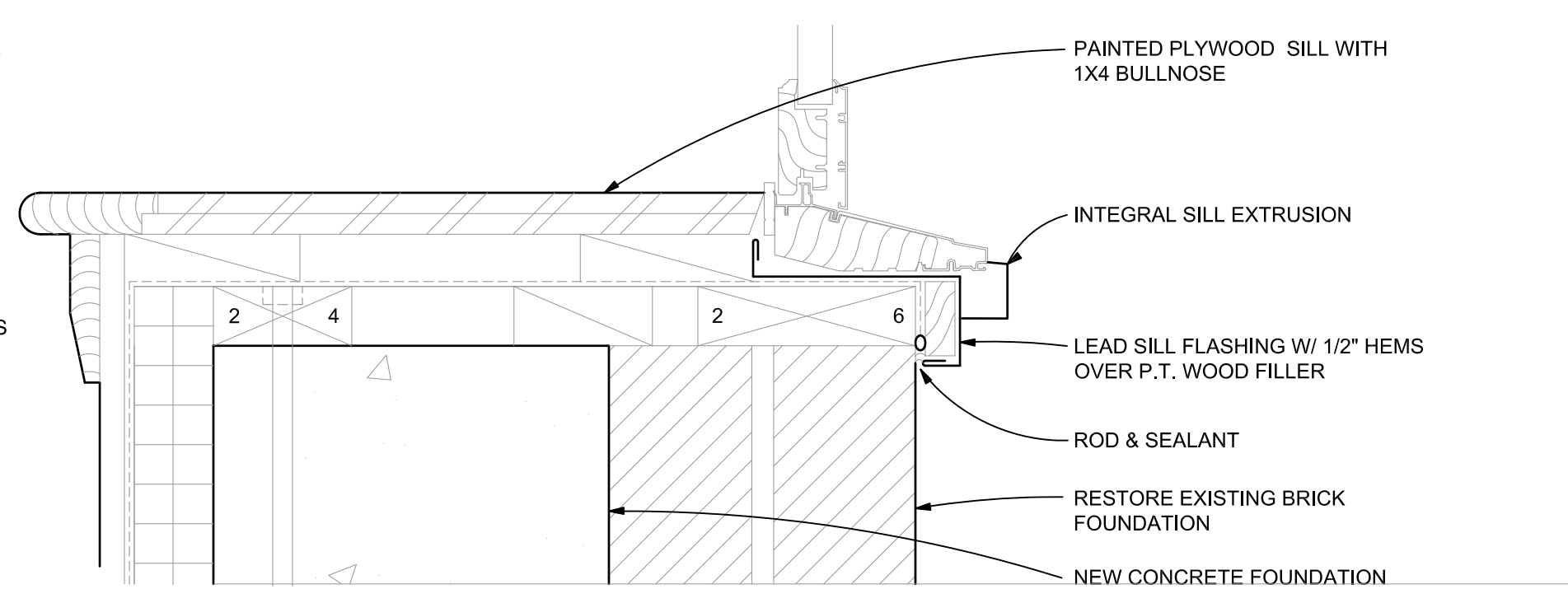
1/4" = 1'-0"



(1) PAINTED WOOD INSWING BY "DURATHERM" WITH ADA LEVER HARDWARE
 (2) PAINTED WOOD INSWING BY "DURATHERM" WITH ADA LEVER HARDWARE
 (3) 2 HR FIRE RATED METAL DOOR AND FRAME WITH ADA LEVER HARDWARE
 (4) WOOD PANEL DOOR AND CASING WITH ADA LEVER HARDWARE
 (6) 2 HR FIRE RATED METAL DOOR AND FRAME WITH ADA LEVER HARDWARE
 (7) WOOD PANEL DOOR AND CASING WITH ADA LEVER HARDWARE
 (8) WOOD PANEL DOOR AND CASING WITH ADA LEVER HARDWARE

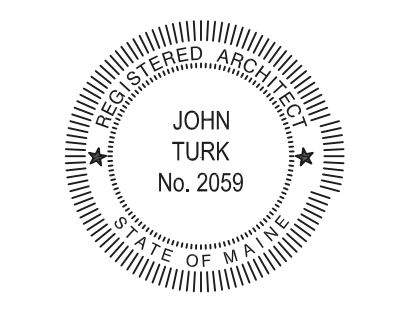


(6) DOOR SECTION DETAIL 3" = 1'-0"
 (7) DOOR SECTION DETAIL 3" = 1'-0"



(5) WINDOW SILL DETAIL 3" = 1'-0"

tll-architects, llc
 28 DANFORTH STREET
 SUITE 213
 PORTLAND, MAINE 04101
 TEL. 207.761.9662
 FAX. 207.761.9696



Rehabilitation of the Main Block and Ell at
131 Washington Avenue
 Jonathan Edwards
 Portland, Maine

Date: 2 October 2015
 Scale: As Shown
 Revisions: 16 May 2016

Title:
 Doors and Windows

Sheet No: **A-5**

PERMIT SET