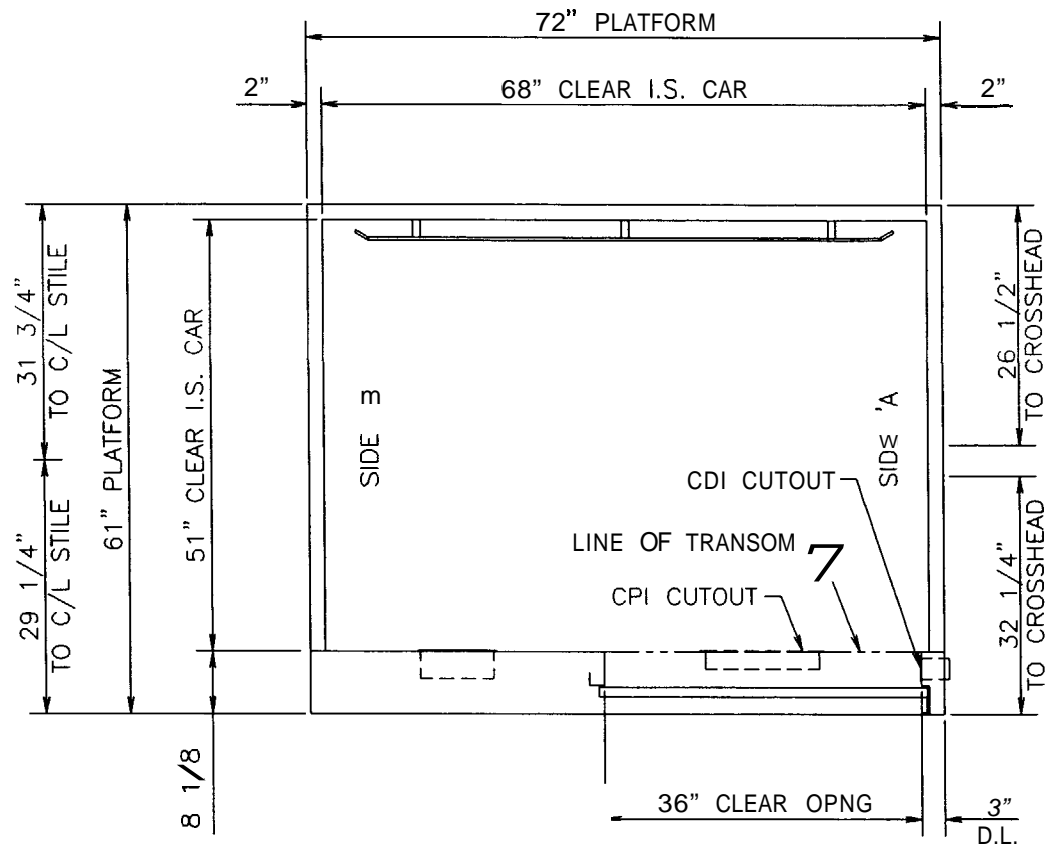


**Machine Room @ "B"**

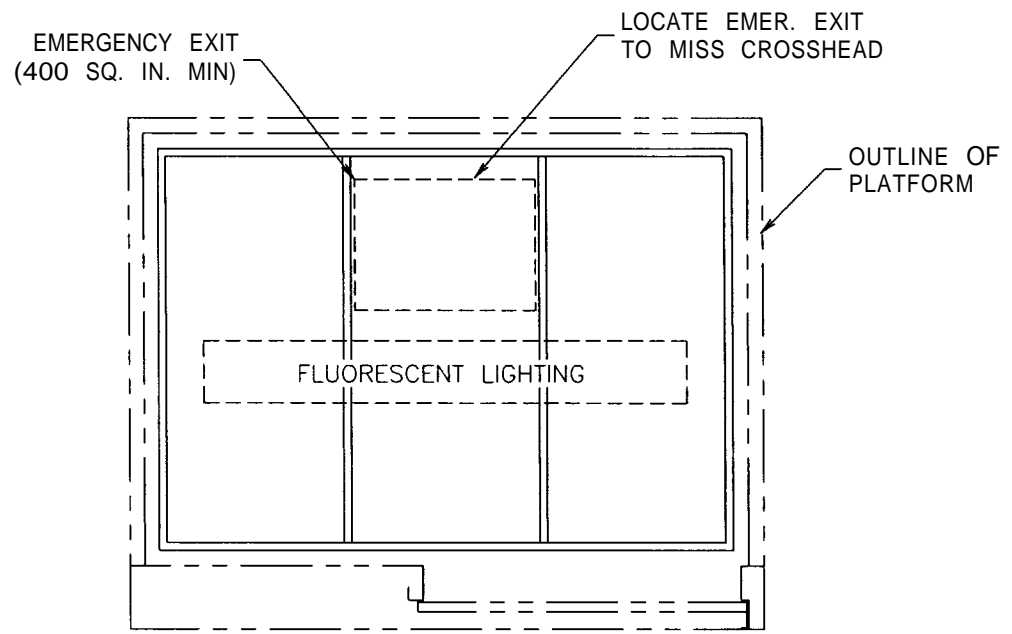
SCALE : NONE

DATE	BY	CHKD	DESCRIPTION
5-17-05	ewd		ORIGINAL

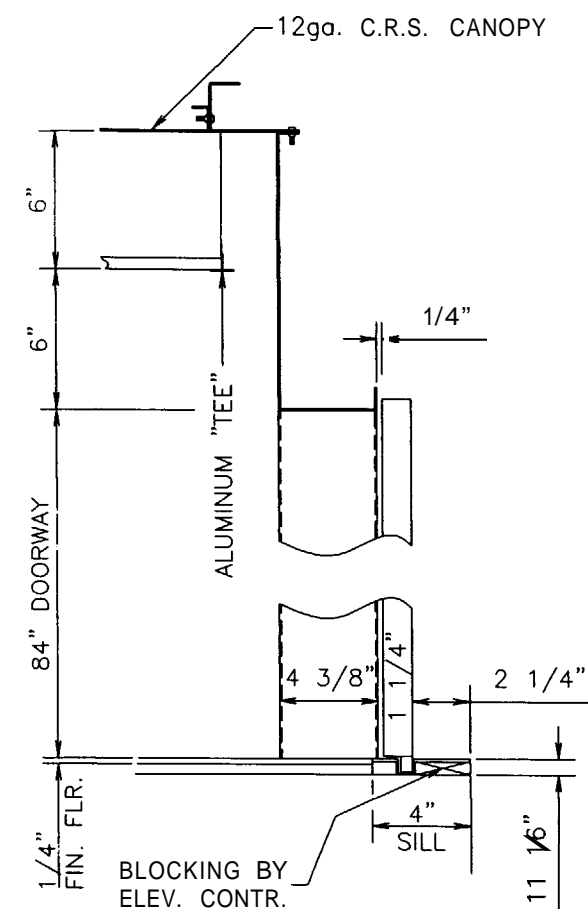
PROJECT	
ROOT CELLAR PORTLAND, ME	
CONTRACT No.	SHEET No.
11064	4 OF 4



Plan View



Reflected Ceiling View



Section Thru Doorway

ADVISE →  
ADVISE →

GENERAL SPECIFICATIONS & DATA	
PLATFORM SIZE	72" WIDE x 61" DEEP
DOORWAY SIZE	36" WIDE x 84" HIGH
DOOR TYPE	SINGLE-SPEED SIDE-SLIDE
OPERATOR	GAL MODL
TEMPLATE No.	8231
STILE SIZE/TYPE	6" CHANNEL
OPERATOR HEADER SUPPORT BY CAB MFG.	
HEADER BY OPERATOR MANUFACTURER	
CAR SILL	EXTRUDED ALUMINUM-BY CAB MFG.
CERT. FRAME	STAINLESS STEEL-BY CAB MFG.
EMER. LIGHT	BY FIXTURE MANUFACTURER
2-PIECE ASSY.	<input type="checkbox"/> NOT REQ'D <input checked="" type="checkbox"/> REQUIRED @ REAR
PAD HOOKS	<input type="checkbox"/> NOT REQ'D <input checked="" type="checkbox"/> REQUIRED
PROTECT. PADS	<input checked="" type="checkbox"/> NOT REQ'D <input type="checkbox"/> REQ'D @ RETURN
REQUIRED	<input checked="" type="checkbox"/> CAR STATION w/ PHONE OR BOX
	<input checked="" type="checkbox"/> CAR POSITION INDICATOR
	<input checked="" type="checkbox"/> CAR LANTERN
<input type="checkbox"/> OTHER:	
DOOR PROTECT.	PANA-40 PLUS
EMER. EXIT SW.	<input type="checkbox"/> NOT REQ'D <input checked="" type="checkbox"/> REQ'D w/ MOUNTING
ITEM	MATERIAL/FINISH
SIDE WALL "A"	PL. LAMIN.-ADVISE COLOR
SIDE WALL "B"	PL. LAMIN.-ADVISE COLOR
REAR WALL	PL. LAMIN.-ADVISE COLOR
DOOR PANELS	PL. LAMIN.-ADVISE COLOR
RETURN PANEL	SATIN STAINLESS STEEL (20ga.)
STRIKE JAMB	SATIN STAINLESS STEEL (16ga.)
TRANSOM	SATIN STAINLESS STEEL (16ga.)
CANOPY	12 ga. C.R.S.-WHITE ENAMEL
CEILING FRAME	ANODIZED ALUMINUM "TEE"
BASE	SATIN STAINLESS STEEL (20ga.)
CEILING TYPE	<input checked="" type="checkbox"/> PLASTIC THERMOCLEAR <input type="checkbox"/> ALUMINUM EGGRATE
HANDRAIL(S)	2" x 3/8" SATIN STAINLESS STEEL <input checked="" type="checkbox"/> REAR SIDES <input type="checkbox"/>
EXHAUST FAN	<input checked="" type="checkbox"/> SINGLE SPEED <input type="checkbox"/> GRILL ONLY <input type="checkbox"/> TWO SPEED <input type="checkbox"/> O.E. BLOWER

T 3 DRAWING REPRESENTS GENERAL DESIGN INTENT ONLY.  
ACTUAL AS-BUILT DETAILS MAY VARY FROM THAT SHOWN.

NOTES:  
1.) CAB SHELL CONSTRUCTION COMPLIES WITH ALL REQUIREMENTS AS SET FORTH IN THE ASME/ANSI A17.1 ELEVATOR SAFETY CODE. ALL LOCAL AND/OR HANDICAP REQUIREMENTS ARE THE RESPONSIBILITY OF THE INSTALLER.  
2.) ARCHITECTURALLY SPECIFIED INTERIORS MAY NOT MEET ASME/ANSI A17.1 CODE REQUIREMENTS. IT IS THE RESPONSIBILITY OF THE ELEVATOR INSTALLER TO OBTAIN APPROVALS FROM STATE AND/OR LOCAL AUTHORITIES FOR ANY MATERIALS THAT DO NOT COMPLY.  
3.) THE ELEVATOR INSTALLER MUST ADVISE IF WALL SIZES SHOWN PROHIBIT INSTALLATION DUE TO HOISTWAY ENTRANCE SIZE OR OTHER ACCESS LIMITATIONS.

DATE	BY	CHKD	DESCRIPTION
5-17-05	ewd		ORIGINAL

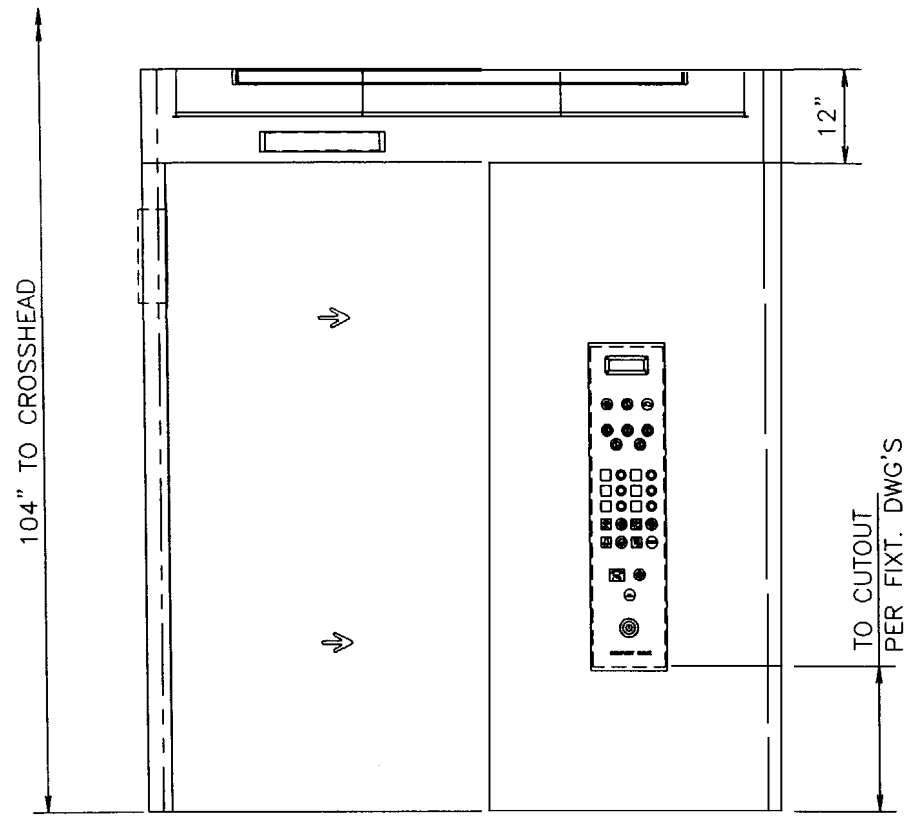
**CANTON ELEVATOR**  
INCORPORATED

**ELEVATOR CAB**  
SINGLE SLIDE-FRONT OPENING-WOOD CORE

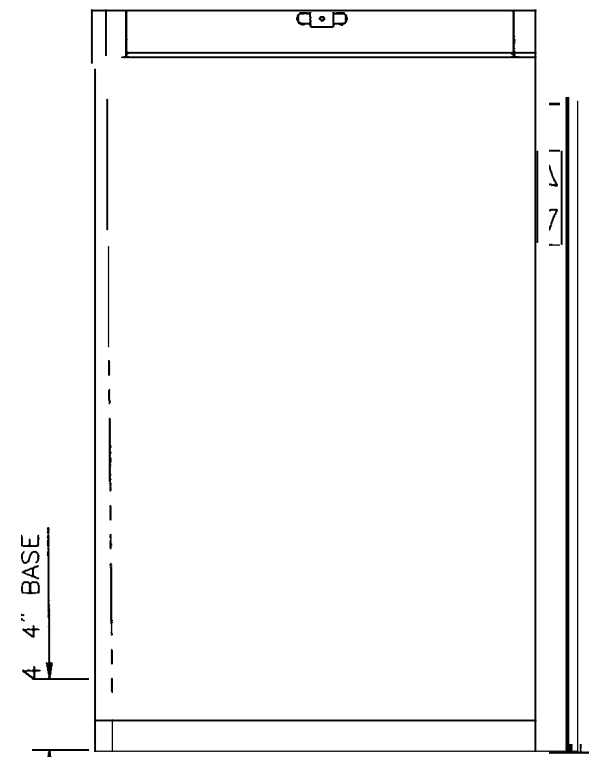
PROJECT

**ROOT CELLAR**  
**PORTLAND, ME**

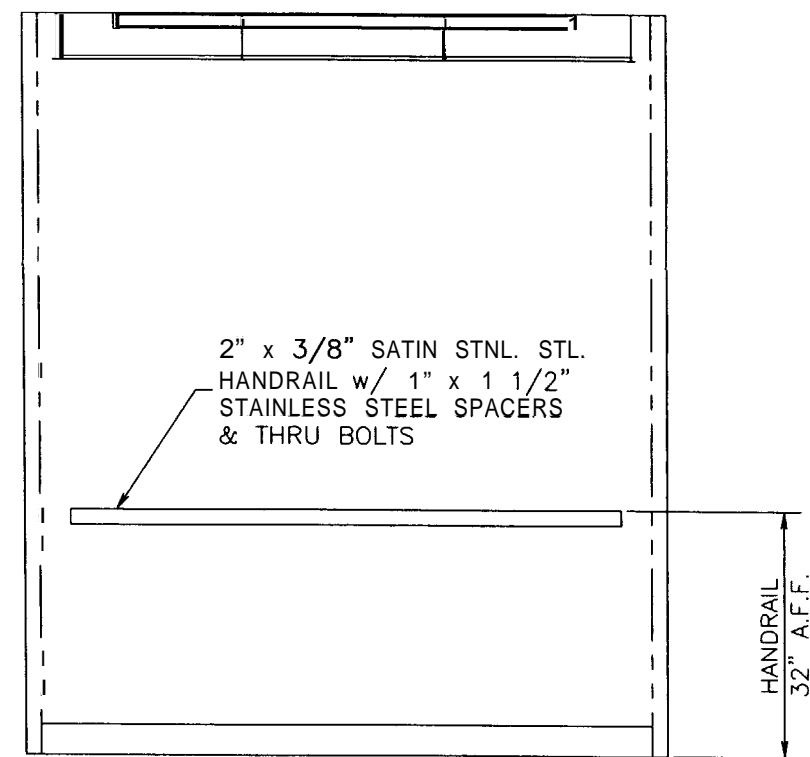
CONTRACT No. **11064** SHEET No. **1 OF 2**



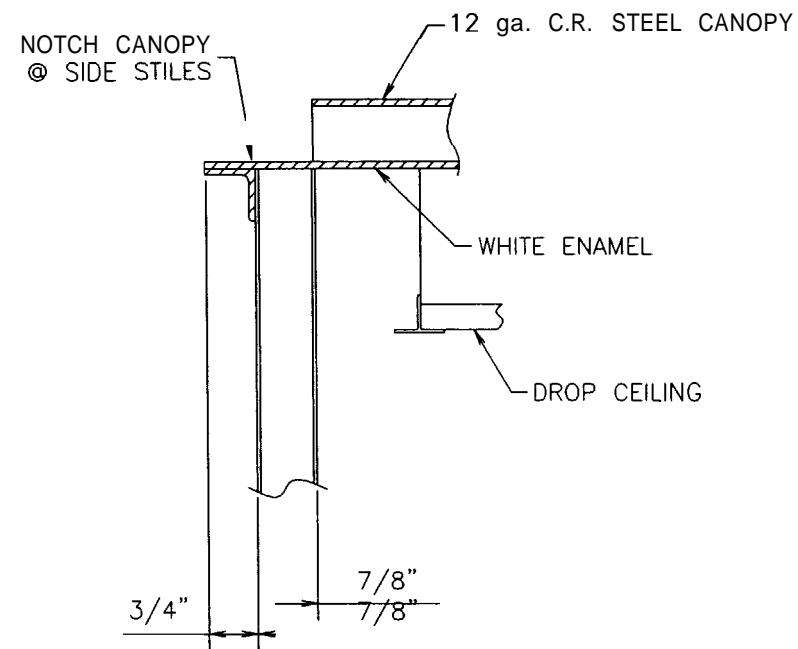
**Front Elevation**



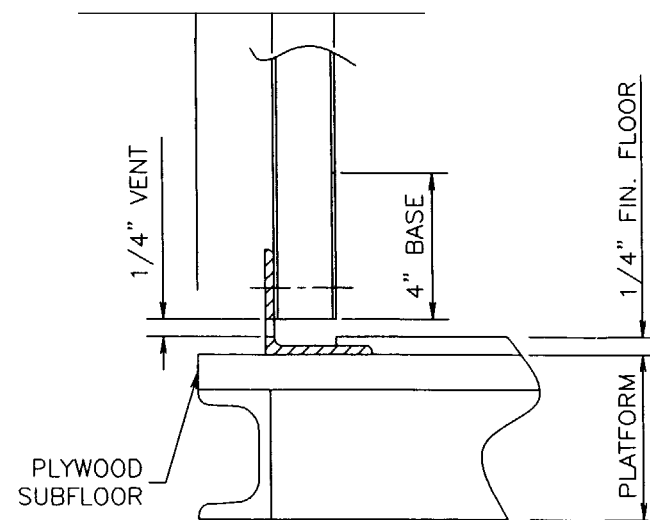
**Side "A" Elevation**  
(Side "B" Elevation similar)



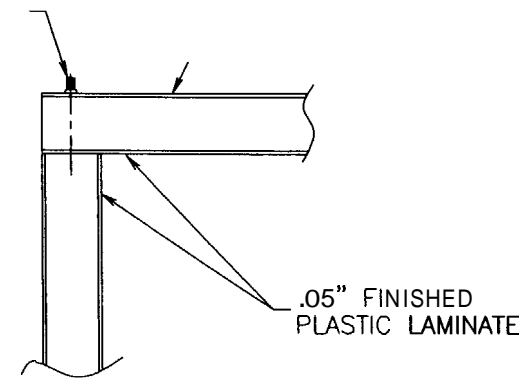
**Rear Elevation**



**Cab to Canopy Connection**



**Cab to Platform Connection**



**Corner Fastening Detail**

THIS DRAWING REPRESENTS GENERAL DESIGN INTENT ONLY. ACTUAL AS-BUILT DETAILS MAY VARY FROM THAT SHOWN.



**ELEVATOR CAB**  
SECTIONS AND ELEVATIONS

PROJECT

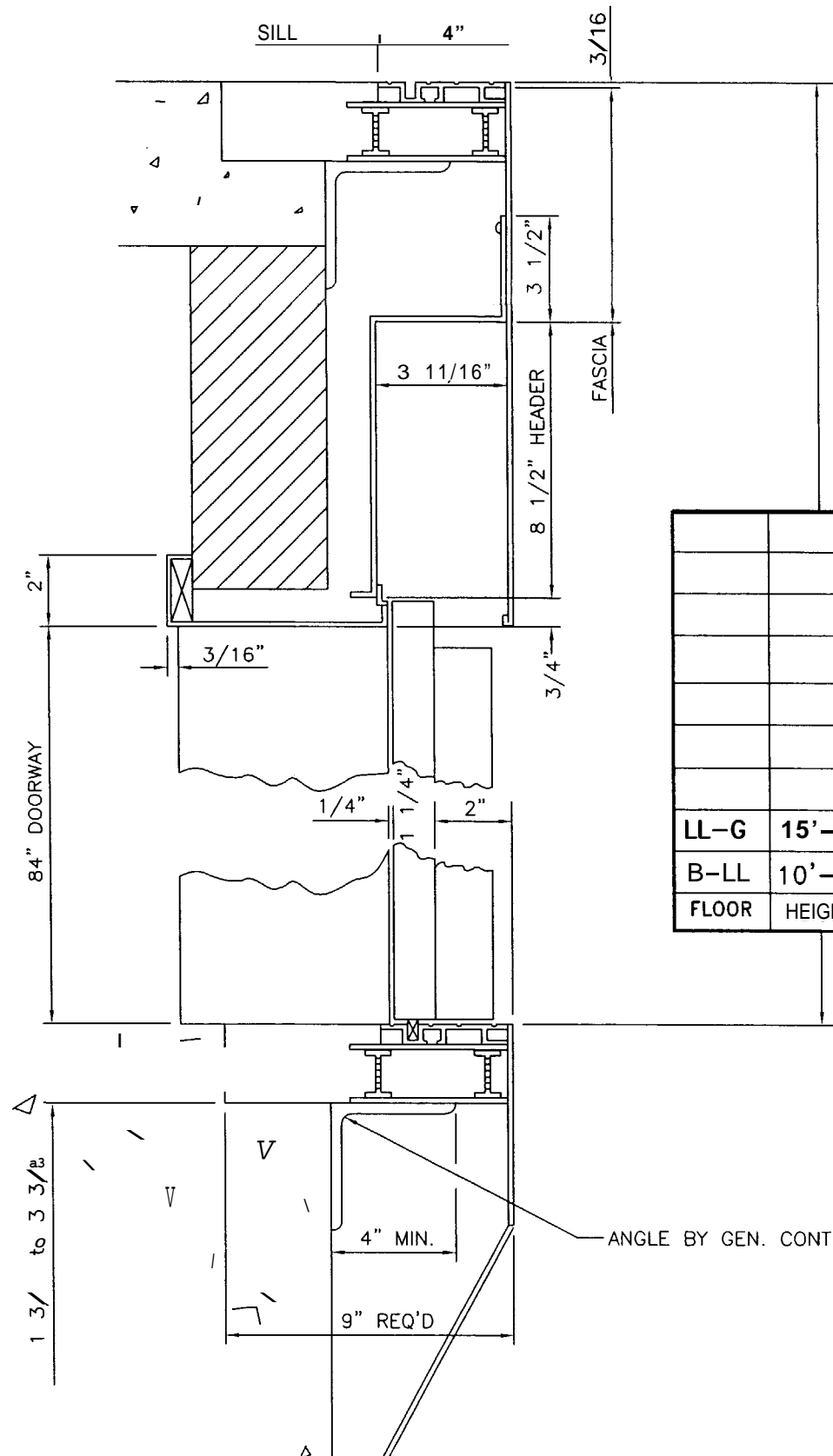
**ROOT CELLAR**  
**PORTLAND. ME**

DATE	BY	CHKD	DESCRIPTION
5-17-05	ewd		ORIGINAL

CONTRACT No.

**11064**

SHEET No.  
**2 OF 2**



LL-G	15'-4"
B-LL	10'-4"
FLOOR	HEIGHT

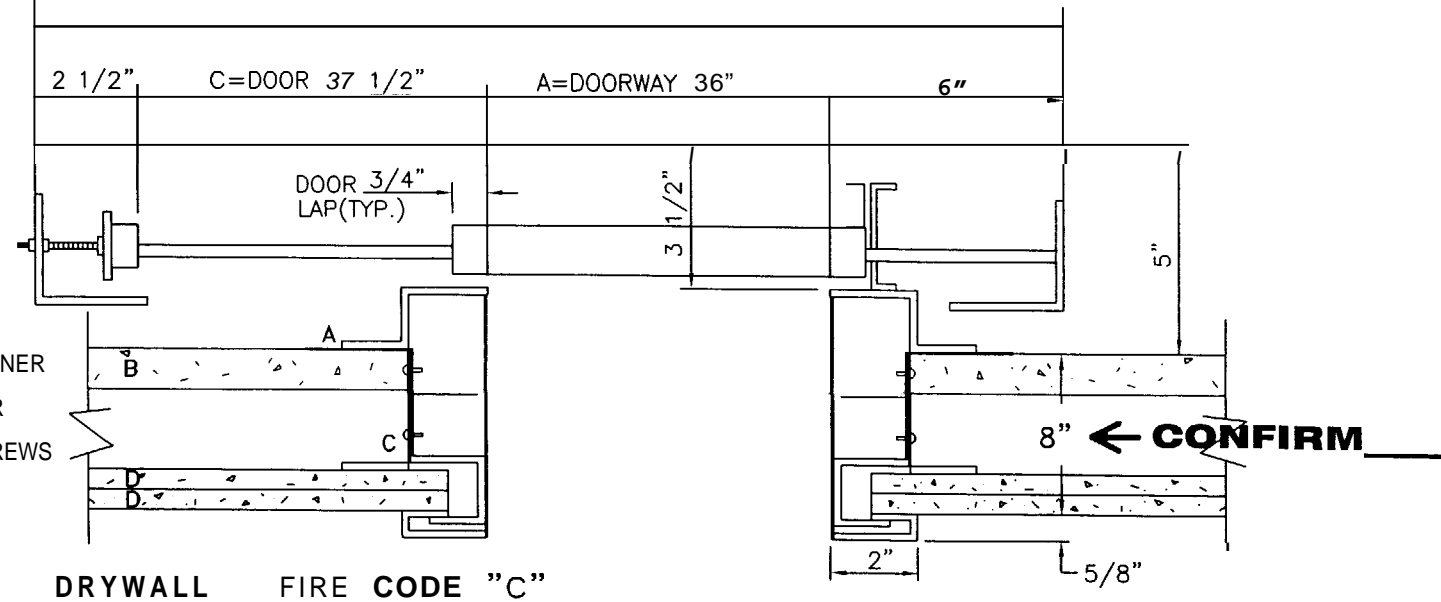
GC NOTE: A MINIMUM ROUGH OPENING OF 48" WIDE x 90" HIGH MUST BE PROVIDED BY GENERAL CONTRACTOR IN ORDER TO INSTALL ENTRANCES.

Ah	Bh	Ch	Dh	Fh	Gh
308.3	327.8	46.8	40.3	300.5	100.2

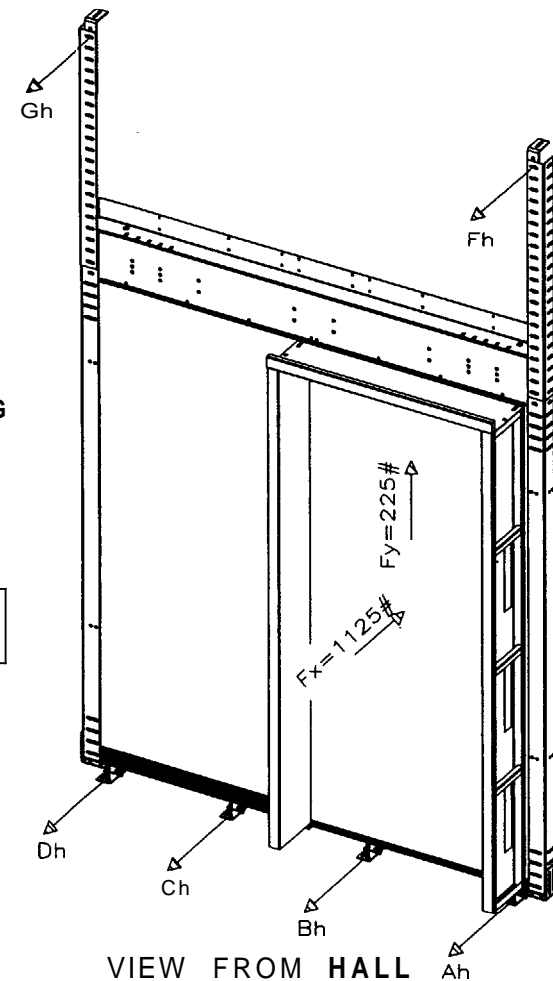
NOTES:

1. ALL FRAMES ARE KNOCK-DOWN CONSTRUCTION.
2. ALL DOORS AND FRAMES BEAR "UL" 1 1/2 HOUR FIRE LABELS.
3. FASCIA PER A.N.S.I. CODE.
4. ARE SET.
5. SUITABLE SILL SUPPORT & RECESS TO BE GROUDED BY OTHERS AFTER DOOR SILLS ARE INSTALLED.

THIS DRAWING REPRESENTS GENERAL DESIGN INTENT ONLY, ACTUAL AS-BUILT DETAILS MAY VARY FROM THAT SHOWN.



DRYWALL FIRE CODE "C"



VIEW FROM HALL

DATE	BY	CHKD	DESCRIPTION
5-17-05	ewd		ORIGINAL

APPROVED BY:	DATE:
OPERATOR <b>GAL MODL</b>	
TEMPLATE # 8241	
KEYWAYS @ EACH ENTRANCE	
FRAMES	14 GA. STL.
DOORS	14 GA. STL.
SIGHT GUARDS	14 GA. STL.
FASCIA	14 GA. STL.
HANGER COVER	14 GA. STL.
TOE GUARD	14 GA. STL.
SILLS	MILL FINISH EXTRUDED ALUMINUM

DOORS	ENAMEL-ADVISE COLOR	← ADVISE
FRAMES	ENAMEL-ADVISE COLOR	← ADVISE

B	70"	74"	78"	82"	86"	90"	94"
C	31 1/2"	33 1/2"	35 1/2"	37 1/2"	39 1/2"	41 1/2"	43 1/2"



3 ENTRANCES REQ. AS SHOWN  
 \_\_\_\_\_ ENTRANCES REQ. OPPOSITE

DETAIL **SINGLE SLIDE**

PROJECT **ROOT CELLAR  
 PORTLAND, ME**

CONTRACT NO. **11064** SHEET NO. **1 OF 1**

