

WINDOW SCHEDULE				
TYPE	SIZE (ROUGH OPENING)	MATERIAL	OPERATION	NOTES
A	4'-6" X 4'-6"	ALUMINUM	SLIDING (SERVICE WINDOW)	1
B	3'-0" X 5'-4"	ALUMINUM CLAD WOOD	DOUBLE HUNG	1, 2, 3

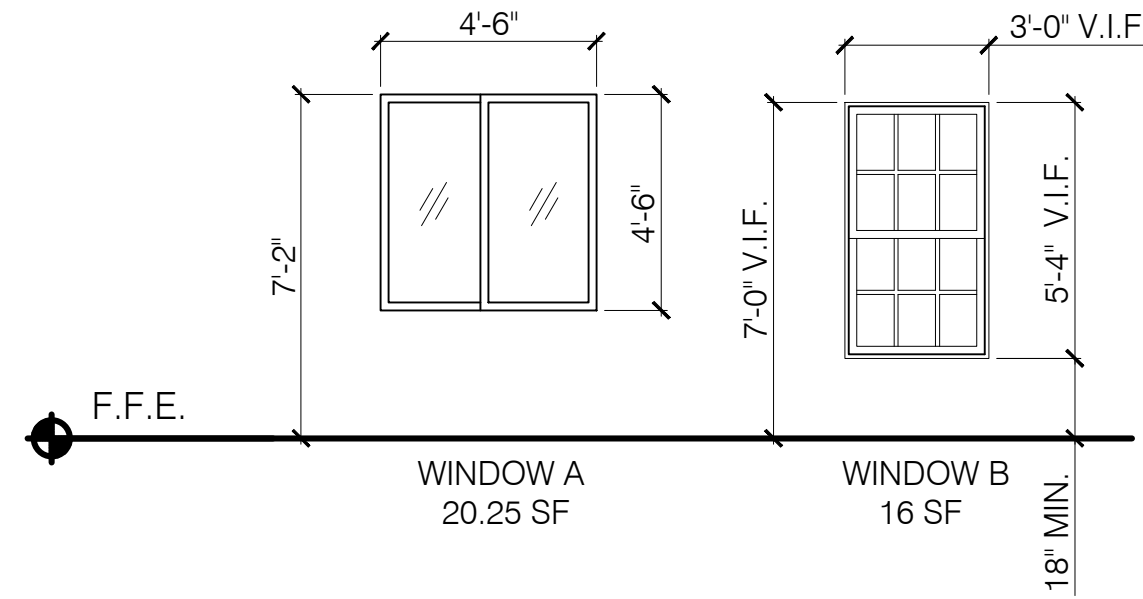
NOTES:
 1. WINDOW TO BE THERMALLY BROKEN.
 2. VERIFY EXISTING ROUGH OPENING IN FIELD.
 3. WINDOW SHALL MEET OR EXCEED CLEAR OPENING AREA OF 5.7 SQ. FT., CLEAR OPENING WIDTH OF 20" AND CLEAR OPENING HEIGHT OF 24".

WINDOW SCHEDULE NOTES:

- WINDOW TO BE THERMALLY BROKEN.
- VERIFY EXISTING ROUGH OPENING IN FIELD.

WINDOW SPECIFICATIONS:

- Size and window configuration. See Window Schedule
- Color options. Bronze Preferred
- Factory Mulling Capability. Preferred
- Design Pressure Rating. 25
- U Factor. 0.35 or lower
- Material. See Window Schedule
- Glazing Type. Triple glazing Preferred (best financial value for the lowest U-factor)
- Hardware type. Brushed nickel
- Exterior Washing Capability. Washing from interior preferred
- Warranty (Window & glazing units). 10 years
- Insect Screens. Standard Insect Screens



DOOR SCHEDULE									
DOOR #	FROM	TO	SIZE	DOOR MATERIAL	DOOR TYPE	DOOR RATING	FRAME	HARDWARE SET	NOTES
101	RETAIL	OUTSIDE	3'-0" X 7'-2"	ALUMINUM	I	-	ALUMINUM	02	1, 2
102	APARTMENT	OUTSIDE	2'-4" X 6'-10"	STEEL	II	-	HM	01	

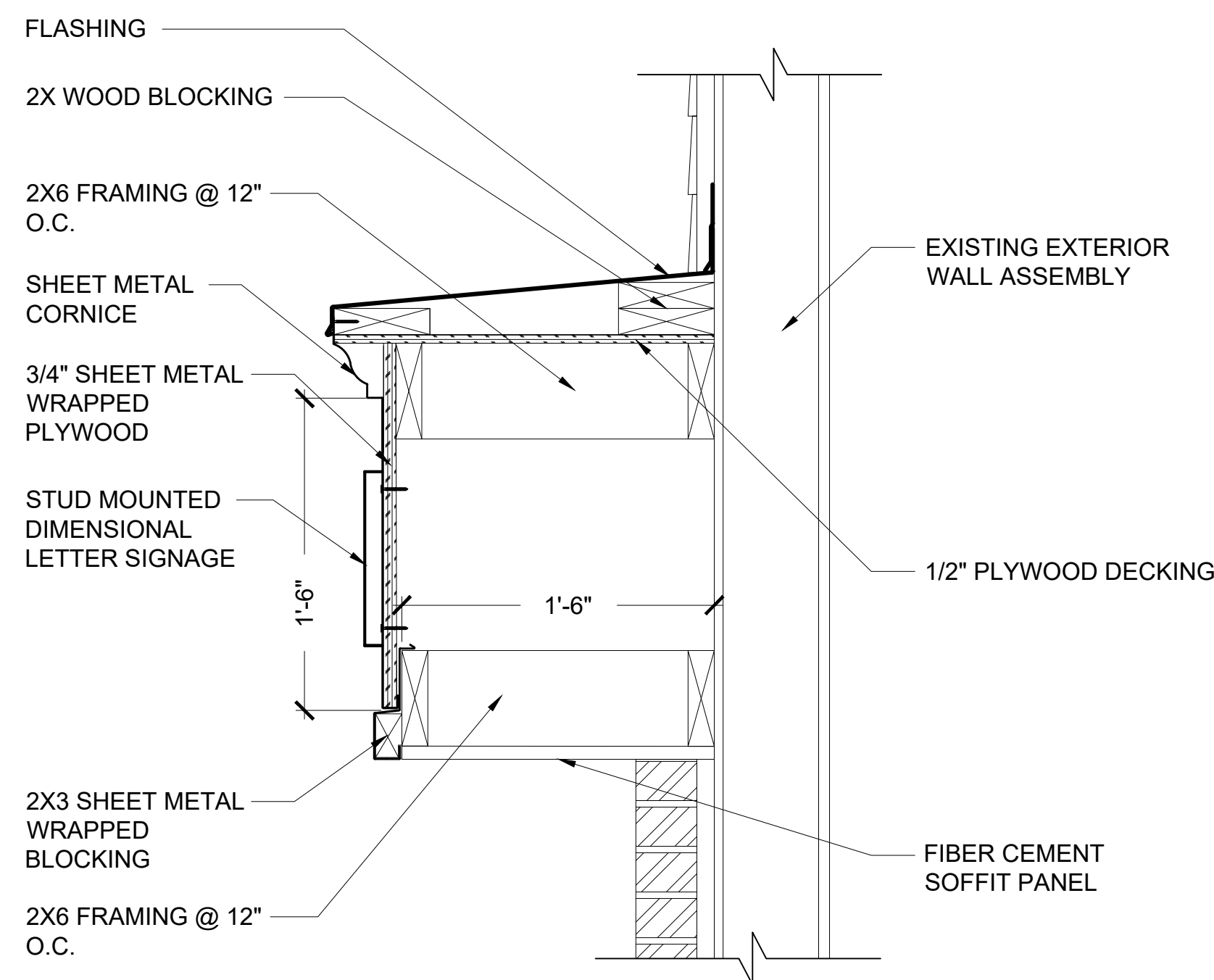
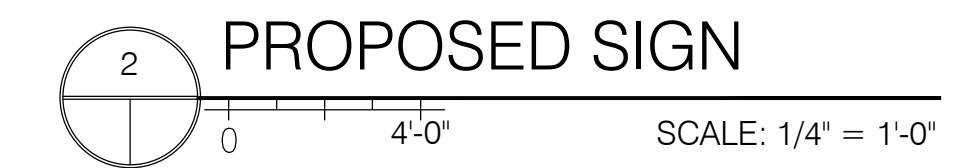
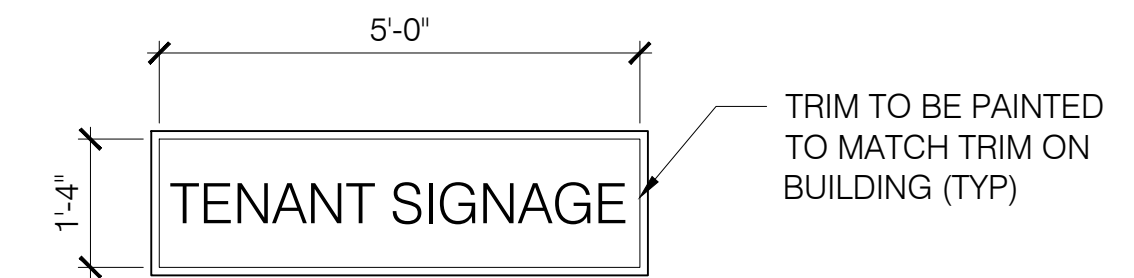
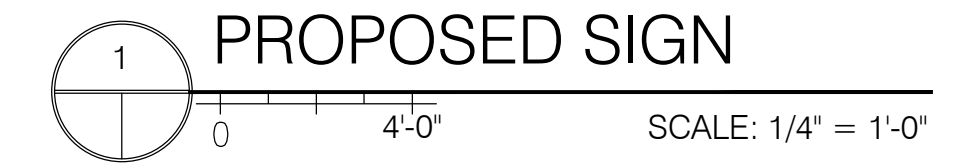
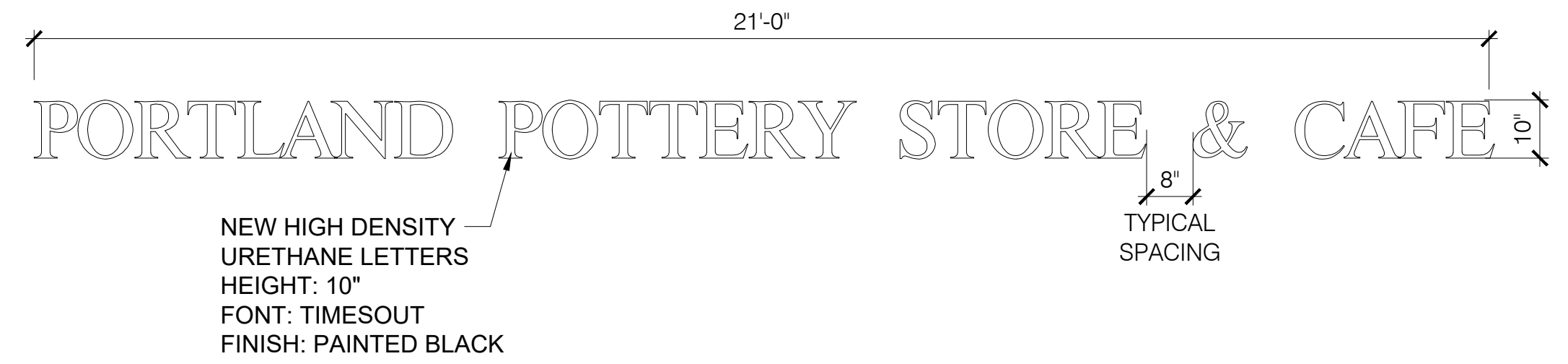
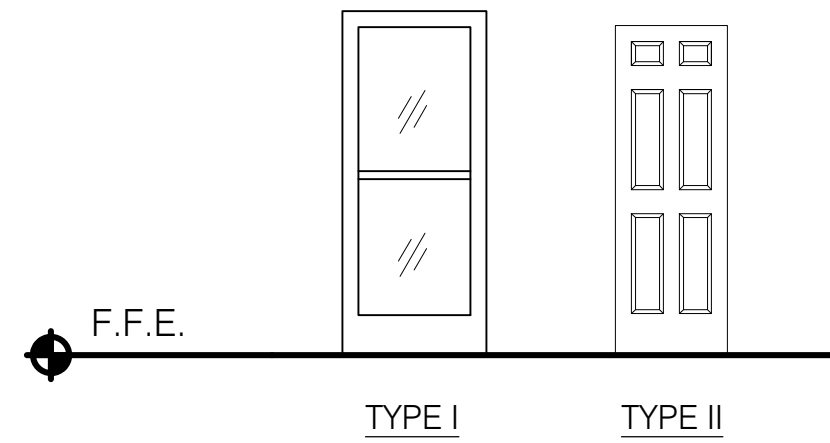
NOTES:
 1. FIELD VERIFY SIZE OF EXISTING DOOR OPENING.
 2. REPLACEMENT DOOR SHALL NOT REDUCE THE CLEAR WIDTH OF THE EXISTING EXIT.

GENERAL DOOR SCHEDULE NOTES:

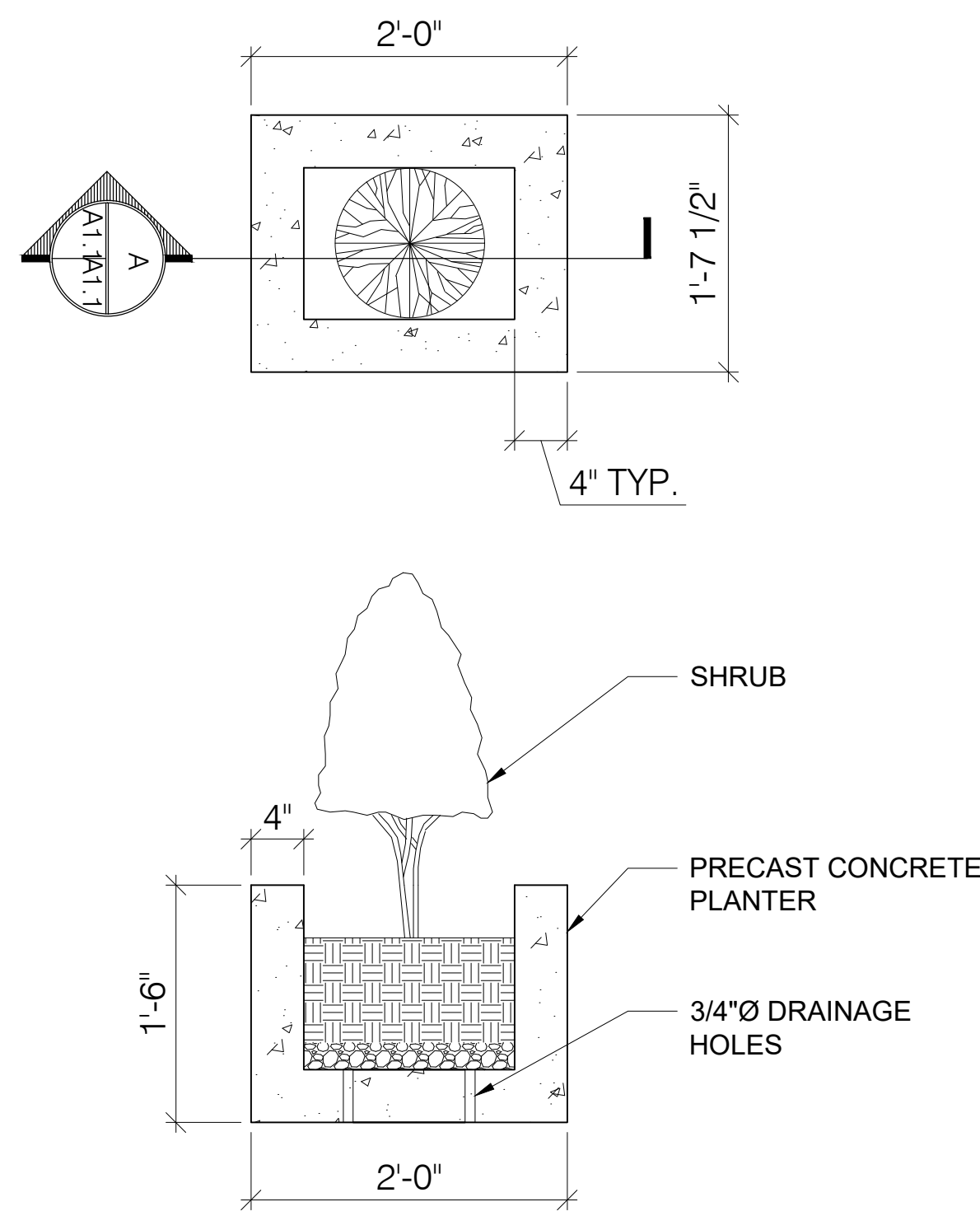
- ALL DOOR HARDWARE AND ACCESSORIES TO BE ADA COMPLIANT.
- COORDINATE DOOR HARDWARE FINISHES AND DESIGNS WITH OWNER.
- GLAZING TO BE TEMPERED SAFETY GLASS.

HARDWARE SETS:

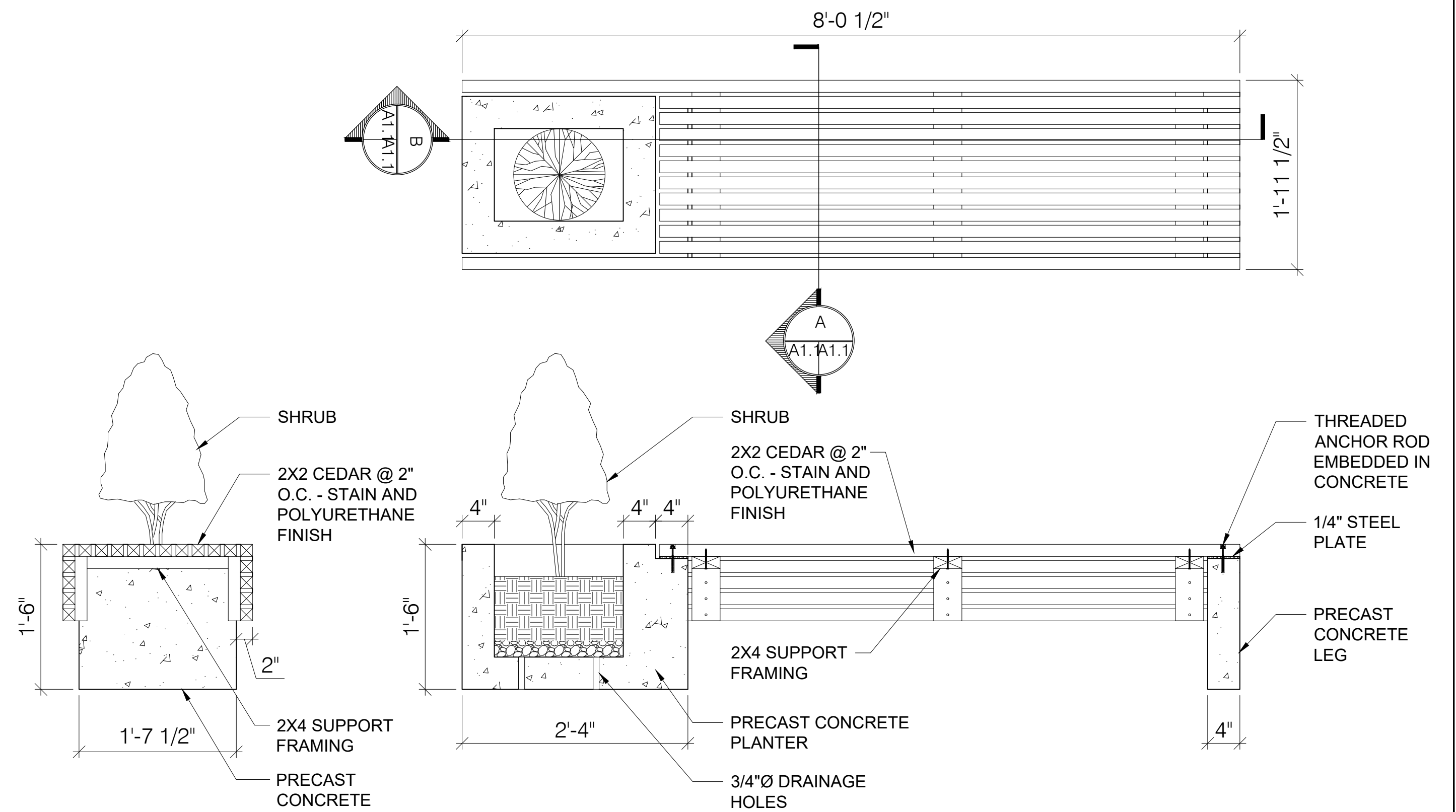
- 01 UNIT ENTRY DOORS: PEEP HOLE, (3) HINGES, SOFT CLOSE DAMPER, STRIKE, DOOR STOP, SINGLE CYLINDER DEADBOLT, LOCKSET, THROW-BOLT, LATCH ASSEMBLY, LEVER, CLOSER, DOOR CHIME
- 02 EXIT DOOR: (3) CLEAR OFFSET HINGES, CLOSER, STRIKE, LATCH ASSEMBLY, LOCKSET, ADA THRESHOLD, DOOR PULL, PANIC BAR EXIT



3 CORNICE DETAIL SCALE: 1 1/2" = 1'-0"



4 PLANTER DETAIL SCALE: 1" = 1'-0"



5 BENCH DETAIL SCALE: 1" = 1'-0"