

Elevation	Separation Distance	Elevation Exposure	Floor Level	Sprinkler	Protected Openings	Allowable Opening Area	Total Wall Area of Floor	Opening Area per Floor	Meets 705.8.1 Exception 2	% of Opening Area
Northwest	30 ≥	Public Way	First	NFPA 13R	No	No Limit	241.5	35.0	Yes	14.5%
Northwest	30 ≥	Public Way	Second	NFPA 13R	No	No Limit	248.5	47.1	Yes	18.9%
Northwest	30 ≥	Public Way	Second	NFPA 13R	No	No Limit	42.0	18.7	Yes	44.4%
Northwest	30 ≥	Public Way	Third	NFPA 13R	No	No Limit	290.5	47.1	Yes	16.2%
Northwest	30 ≥	Public Way	Fourth	NFPA 13R	No	No Limit	214.1	24.5	Yes	11.4%
Northwest	5 ≤ 10	Side Yard	First	NFPA 13R	No	10%	568.3	0.0	No	0.0%
Northwest	5 ≤ 10	Side Yard	Second	NFPA 13R	No	10%	518.9	36.5	No	7.0%
Northwest	5 ≤ 10	Side Yard	Third	NFPA 13R	No	10%	518.9	49.5	No	9.5%
Northwest	10 ≤ 15	Side Yard	Fourth	NFPA 13R	No	15%	488.6	68.3	Yes	14.0%
Southeast	10 ≤ 15	Rear Yard	First	NFPA 13R	No	25%	318.2	12.3	Yes	3.9%
Southeast	10 ≤ 15	Rear Yard	Second	NFPA 13R	No	15%	290.5	34.8	Yes	12.0%
Southeast	10 ≤ 15	Rear Yard	Third	NFPA 13R	No	15%	290.5	34.8	Yes	12.0%
Southeast	10 ≤ 15	Rear Yard	Fourth	NFPA 13R	No	15%	110.8	12.3	Yes	11.1%
Southeast	15 ≤ 20	Rear Yard	Fourth	NFPA 13R	No	25%	175.8	42.0	Yes	23.9%
Southwest	5 ≤ 10	Side Yard	First	NFPA 13R	Yes	25%	182.1	21.0	No	11.5%
Southwest	10 ≤ 15	Side Yard	First	NFPA 13R	Yes	45%	384.3	216.0	Yes	56.2%
Southwest	5 ≤ 10	Side Yard	Second	NFPA 13R	No	10%	377.1	33.0	No	8.8%
Southwest	10 ≤ 15	Side Yard	Second	NFPA 13R	No	15%	141.8	20.0	Yes	14.1%
Southwest	5 ≤ 10	Side Yard	Third	NFPA 13R	No	10%	518.9	49.5	No	9.5%
Southwest	5 ≤ 10	Side Yard	Fourth	NFPA 13R	No	10%	241.5	0.0	No	0.0%
Southwest	10 ≤ 15	Side Yard	Fourth	NFPA 13R	No	15%	442.9	68.3	Yes	15.4%

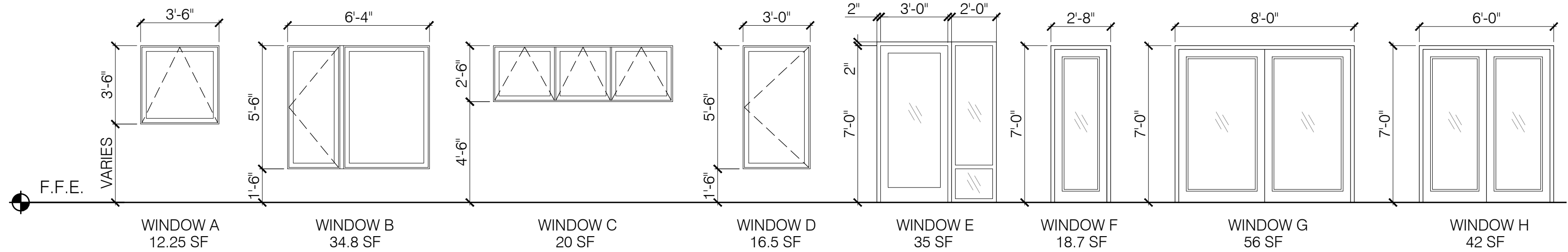
WINDOW SCHEDULE				
TYPE	SIZE (ROUGH OPENING)	MATERIAL	OPERATION	NOTES
A	3'-6" X 3'-6"	uPVC	AWNING	1, 2, 4
B	6'-4" X 5'-6"	uPVC	PICTURE/CASEMENT	1, 2, 3, 4
C	8'-0" X 2'-6"	uPVC	AWNING	1, 2, 4
D	3'-0" X 5'-6"	uPVC	CASEMENT	1, 2, 3, 4
E	5'-4" X 7'-2"	METAL	STOREFRONT	1, 2, 4
F	2'-8" X 7'-0"	uPVC	SWING PATIO DOOR	1, 2, 4
G	8'-0" X 7'-0"	uPVC	SLIDING GLASS DOOR	1, 2, 4
H	6'-0" X 7'-0"	uPVC	SLIDING GLASS DOOR	1, 2, 4

WINDOW SCHEDULE NOTES:

- SAFETY GLAZING MAY BE REQUIRED.
- ALL WINDOWS TO HAVE A MAXIMUM U-FACTOR OF 0.35.
- WINDOWS LABELED "EGRESS WINDOW" IN PLAN MUST COMPLY WITH: MIN AREA: 5.7SF
MIN HEIGHT: 24"
MIN WIDTH: 20"
- WINDOWS & GLAZED DOORS TO BE THERMALLY BROKEN.

WINDOW SPECIFICATIONS:

- Size and window configuration. See Window Schedule
- Color options. To be selected
- Factory Mulling Capability. Preferred
- Design Pressure Rating. 25
- U Factor. 0.35 or lower
- Material. To be selected
- Glazing Type. To be selected
- Hardware type. To be selected
- Exterior Washing Capability. Washing from interior preferred
- Warranty (Window & glazing units). 10 years
- Insect Screens. Standard Insect Screens



1 NORTHWEST ELEVATION
SCALE: 1/4" = 1'-0"



2 SOUTHWEST ELEVATION
SCALE: 1/4" = 1'-0"