

© 2015 RYAN SENATORE ARCHITECTURE

APARTMENTS  
89 ANDERSON STREET  
PORTLAND, MAINE



RYAN SENATORE ARCHITECTURE  
565 CONGRESS STREET  
SUITE 304  
PORTLAND, MAINE 04101  
207-650-6414  
senatorearchitecture.com

CONSULTANTS:  
STRUCTURAL:  
Structural Integrity  
77 Oak Street  
Portland, ME 04101  
207-774-4614

REVISIONS:  
REVISION #1 - 10/16/15

DATE: AUGUST 12, 2015

PROJECT No. 1415

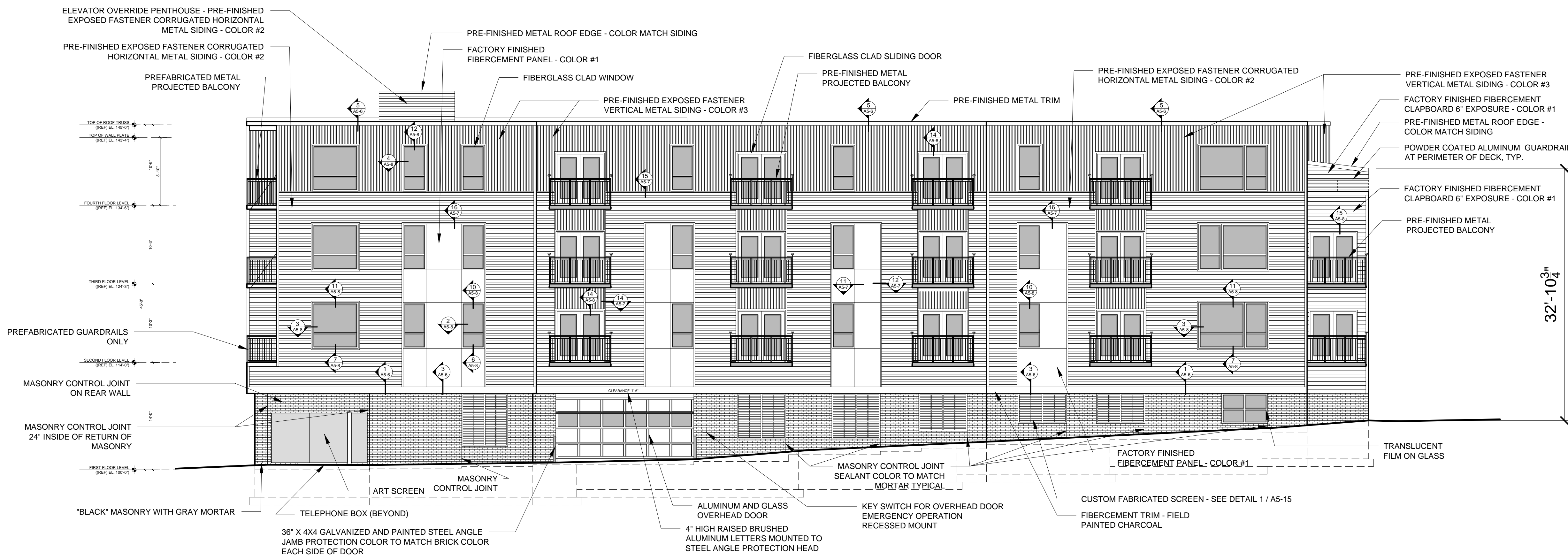
DRAWN BY: RRT / RJS

CHECKED BY: RJS

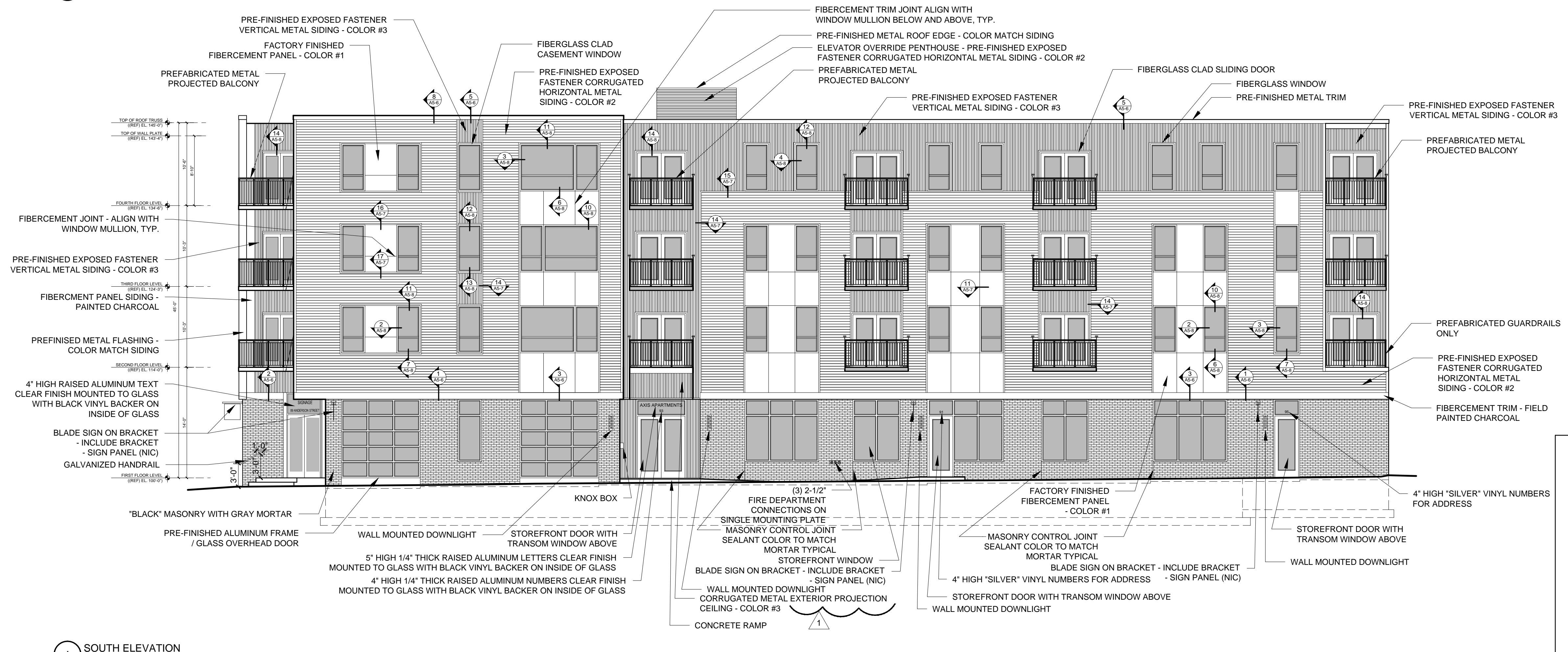
SCALE: AS NOTED

SHEET TITLE:  
EXTERIOR ELEVATIONS

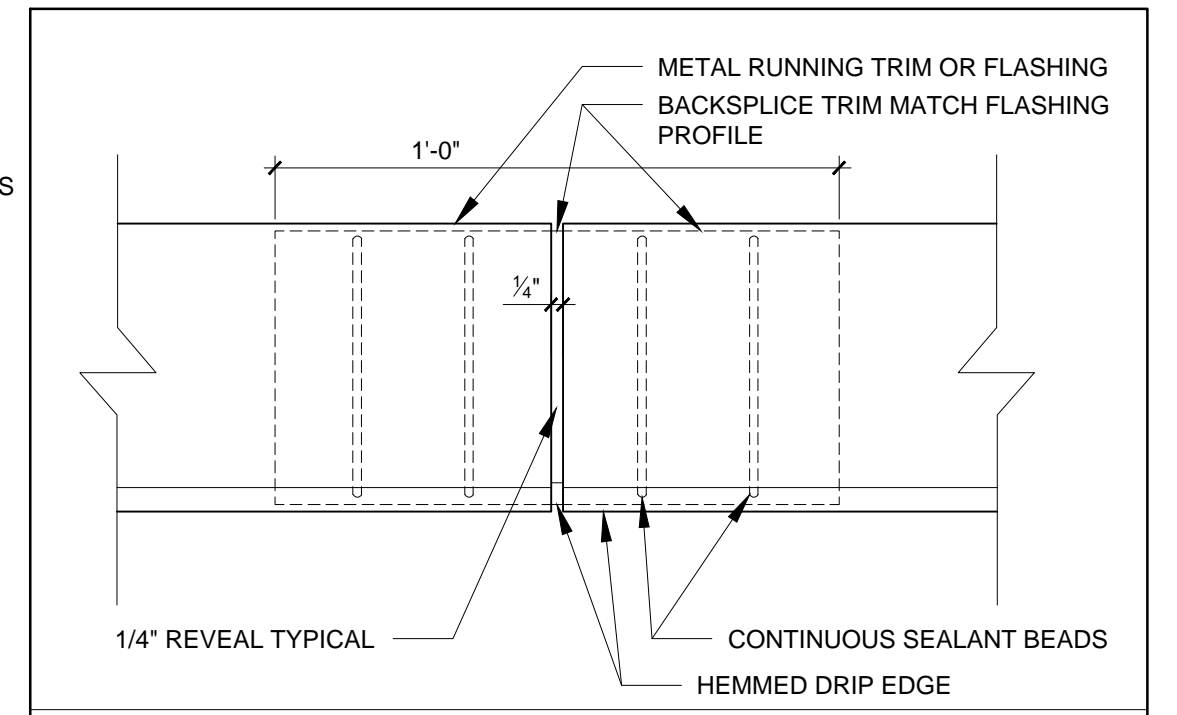
A2-1



2 EAST ELEVATION  
1/8" = 1'-0"



3 SOUTH ELEVATION  
1/8" = 1'-0"



3 BACK SPLICE DETAIL  
NOT TO SCALE  
TYPICAL ALL HORIZONTAL METAL RUNNING TRIM AND FLASHING