

© 2015 RYAN SENATORE ARCHITECTURE

APARTMENTS
89 ANDERSON STREET
PORTLAND, MAINE



RYAN SENATORE
ARCHITECTURE
565 CONGRESS STREET
PORTLAND, MAINE 04101
207-650-6414
senatorearchitecture.com

CONSULTANTS:

STRUCTURAL:
Structural Integrity
77 Oak Street
Portland, ME 04101
207-774-4614

REVISIONS:

DATE: JULY 3, 2015

PROJECT No. 1415

DRAWN BY: RRT / RJS

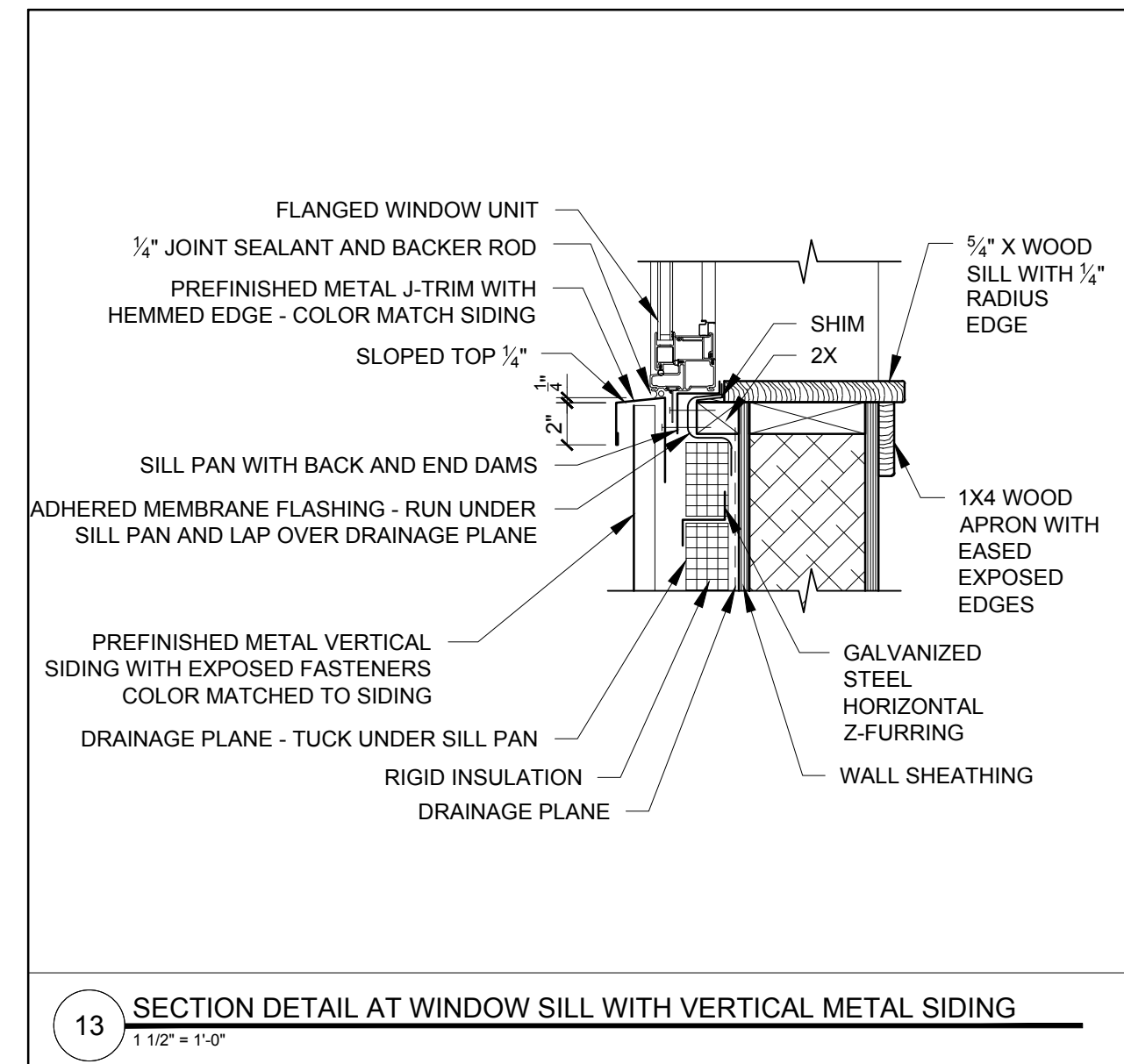
CHECKED BY: RJS

SCALE: AS NOTED

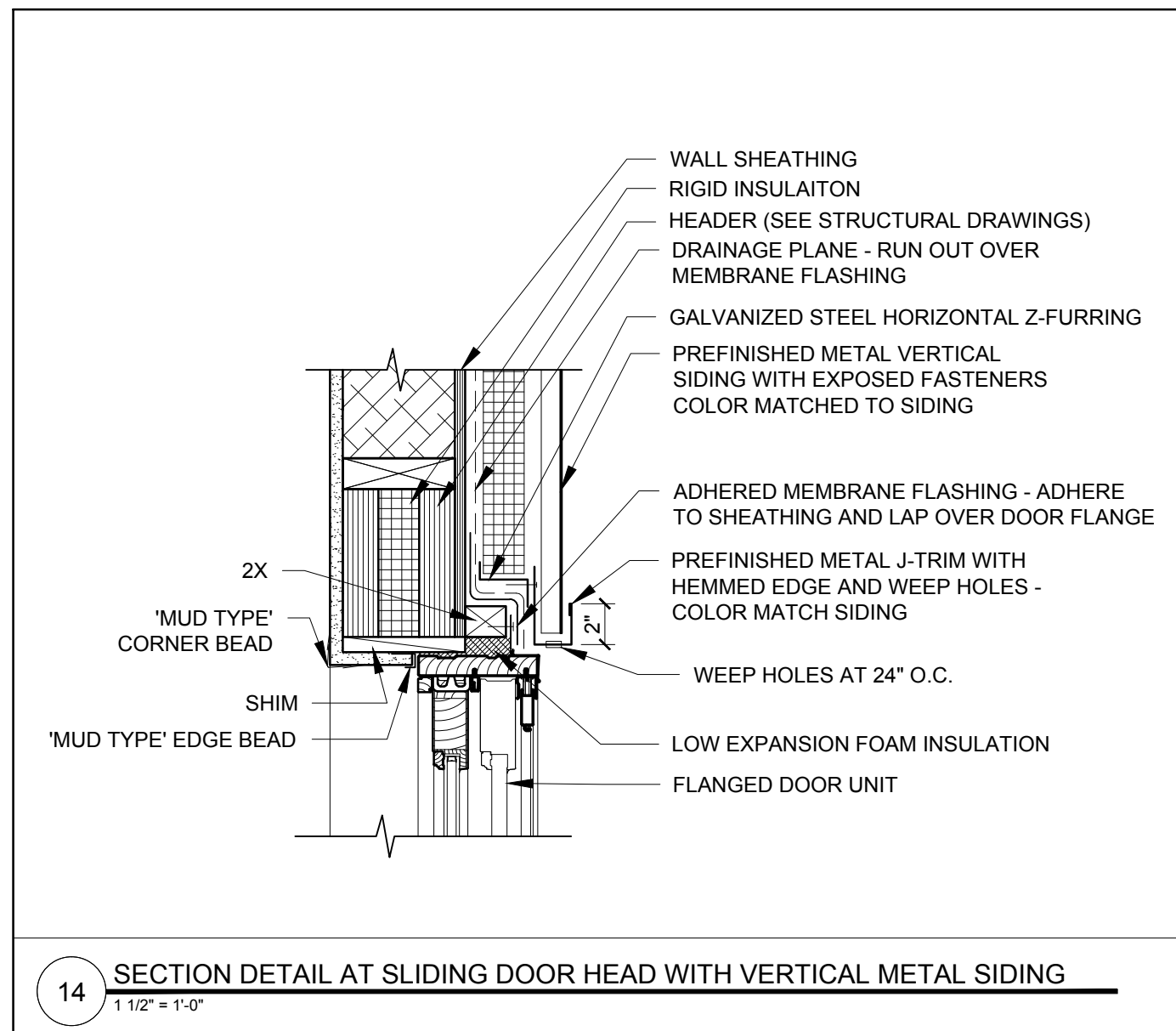
SHEET TITLE:

DETAILS

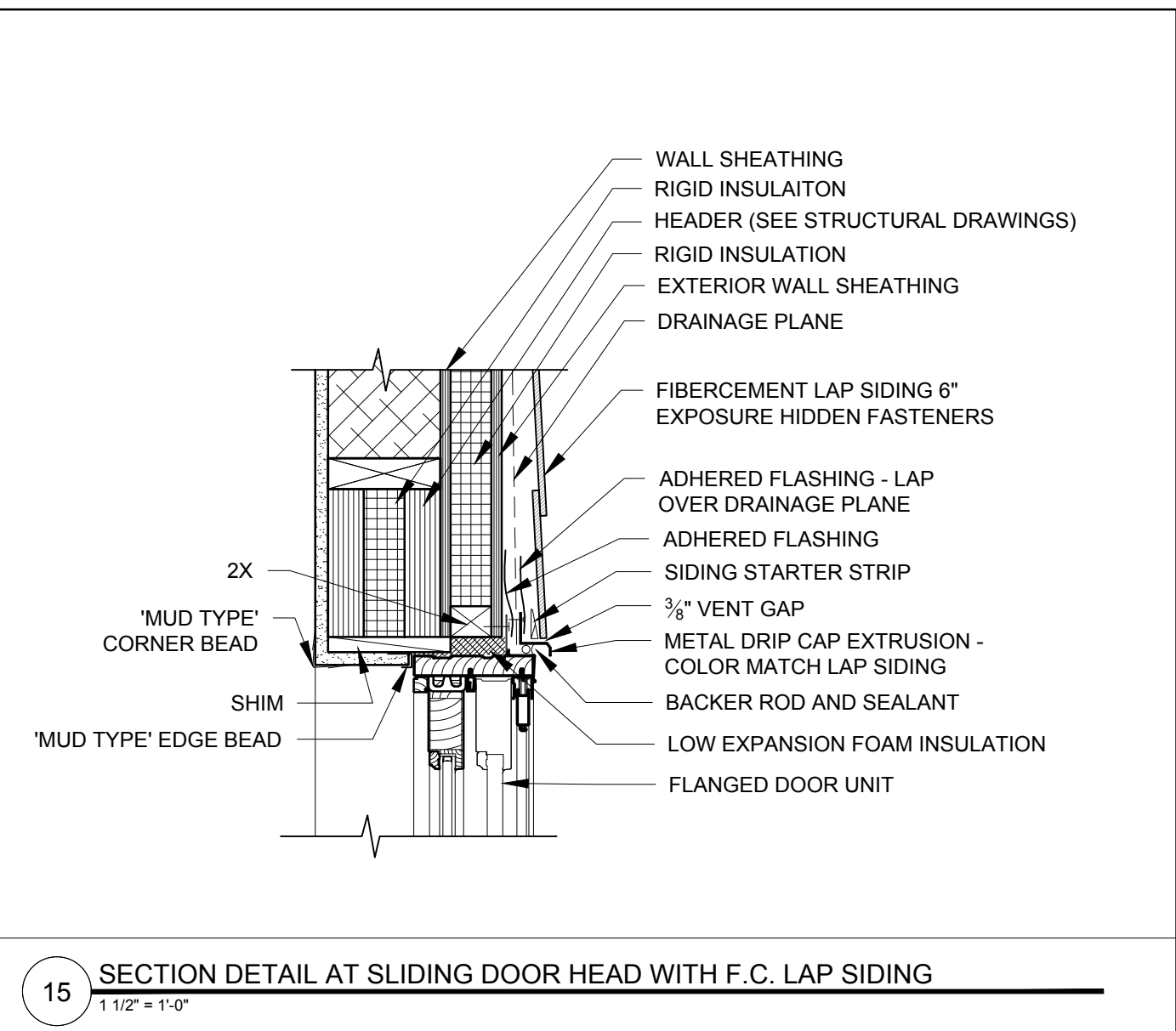
A5-8



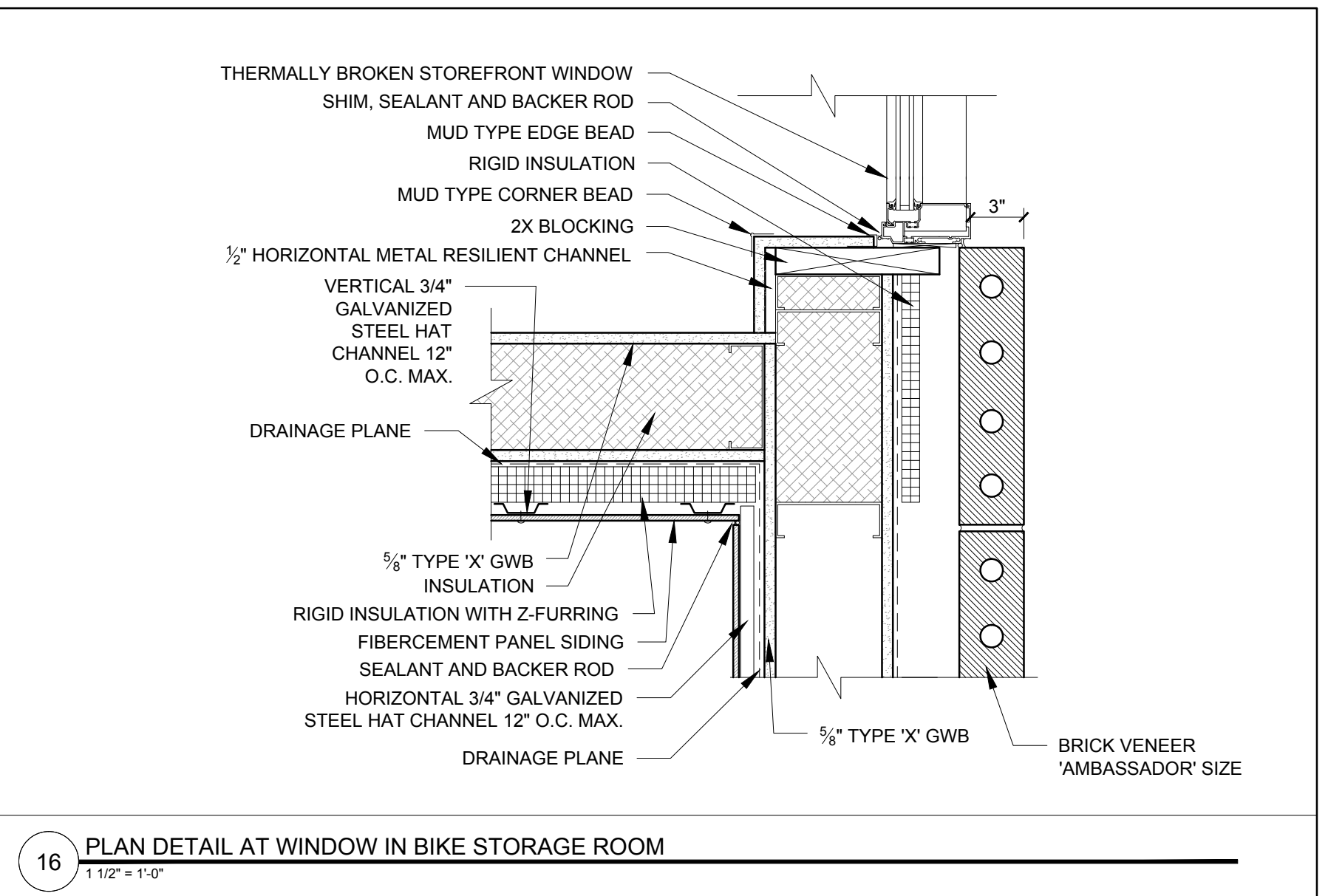
13 SECTION DETAIL AT WINDOW SILL WITH VERTICAL METAL SIDING
1/12" = 1'-0"



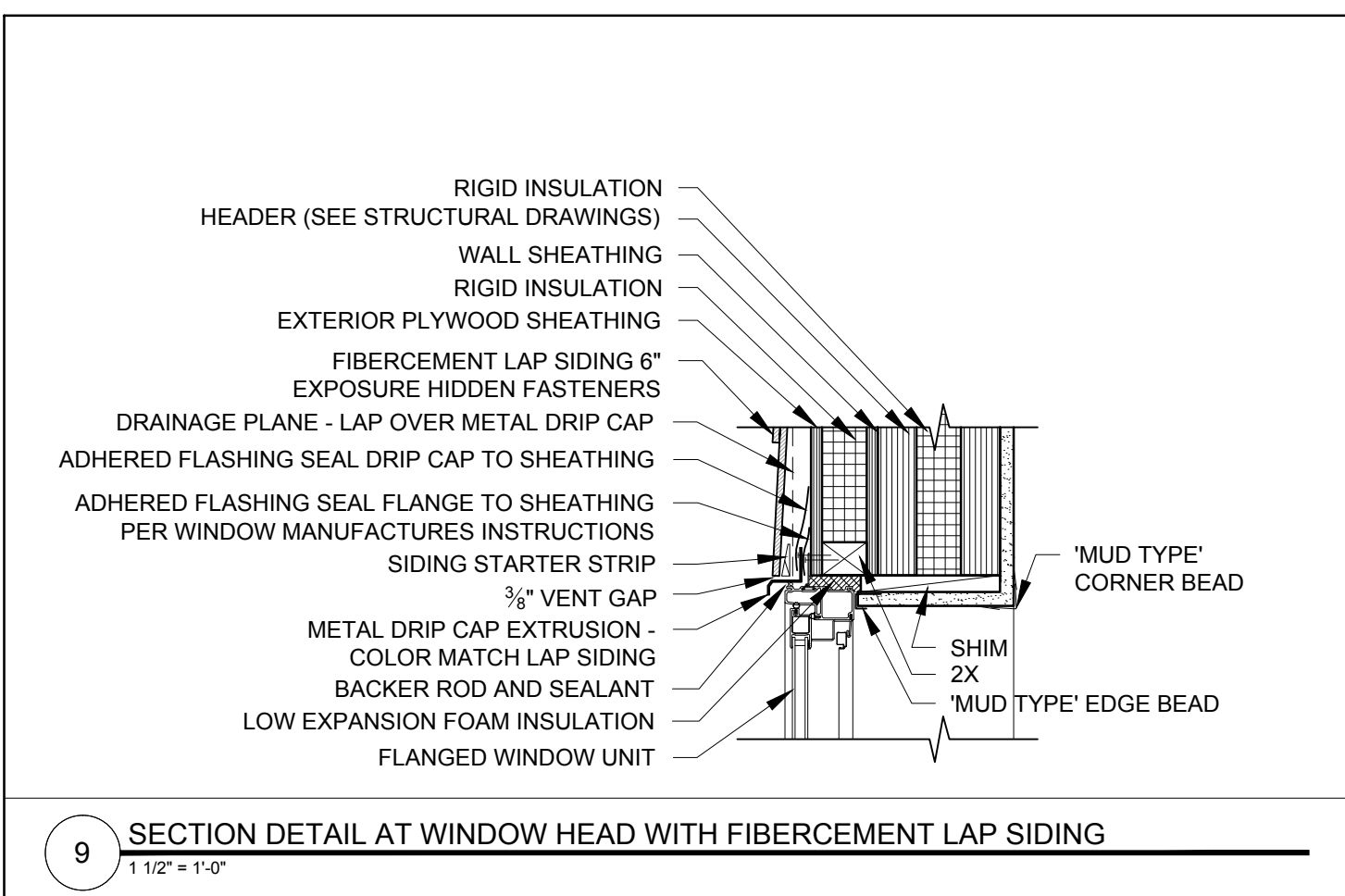
14 SECTION DETAIL AT SLIDING DOOR HEAD WITH VERTICAL METAL SIDING
1/12" = 1'-0"



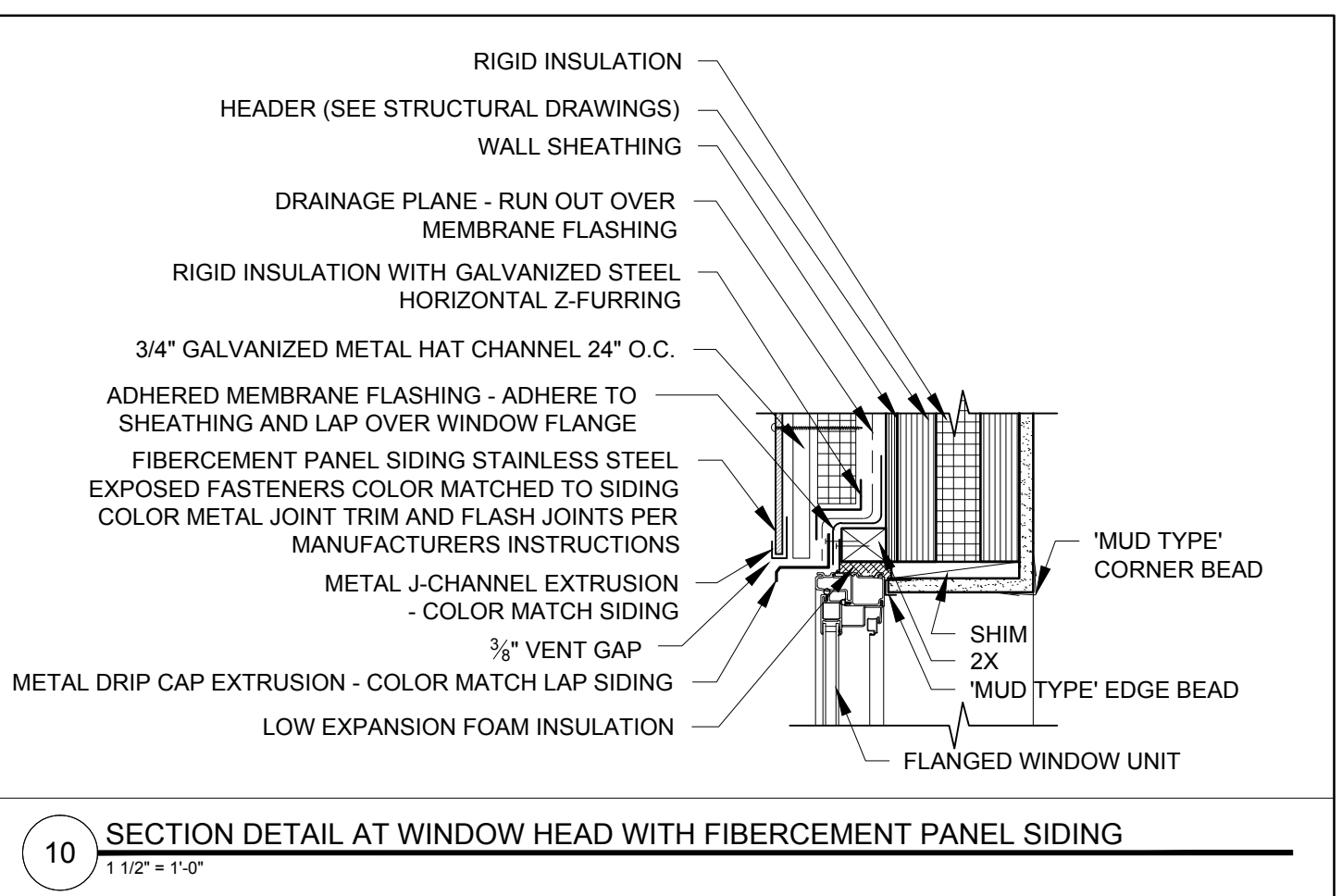
15 SECTION DETAIL AT SLIDING DOOR HEAD WITH F.C. LAP SIDING
1/12" = 1'-0"



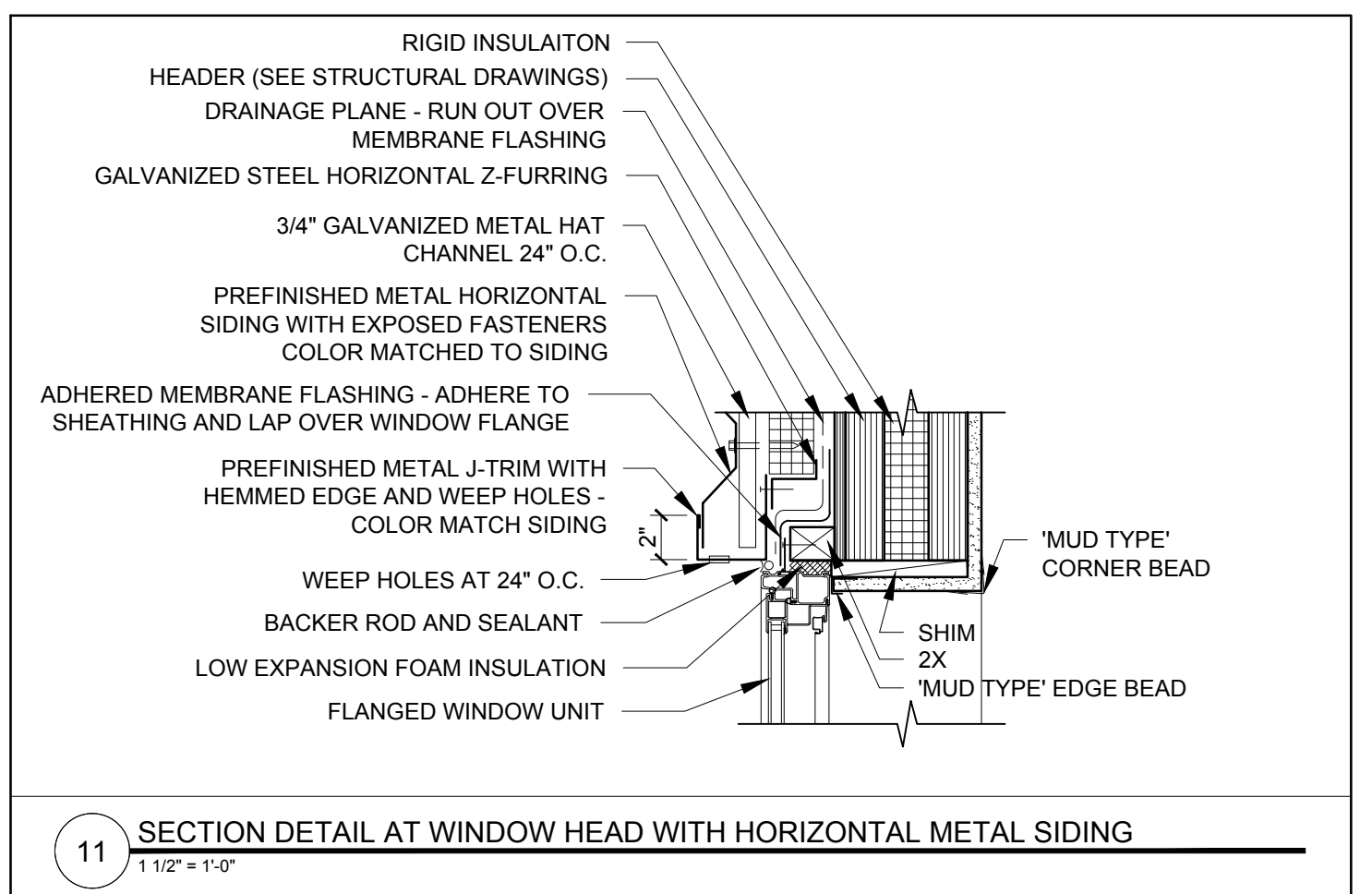
16 PLAN DETAIL AT WINDOW IN BIKE STORAGE ROOM
1/12" = 1'-0"



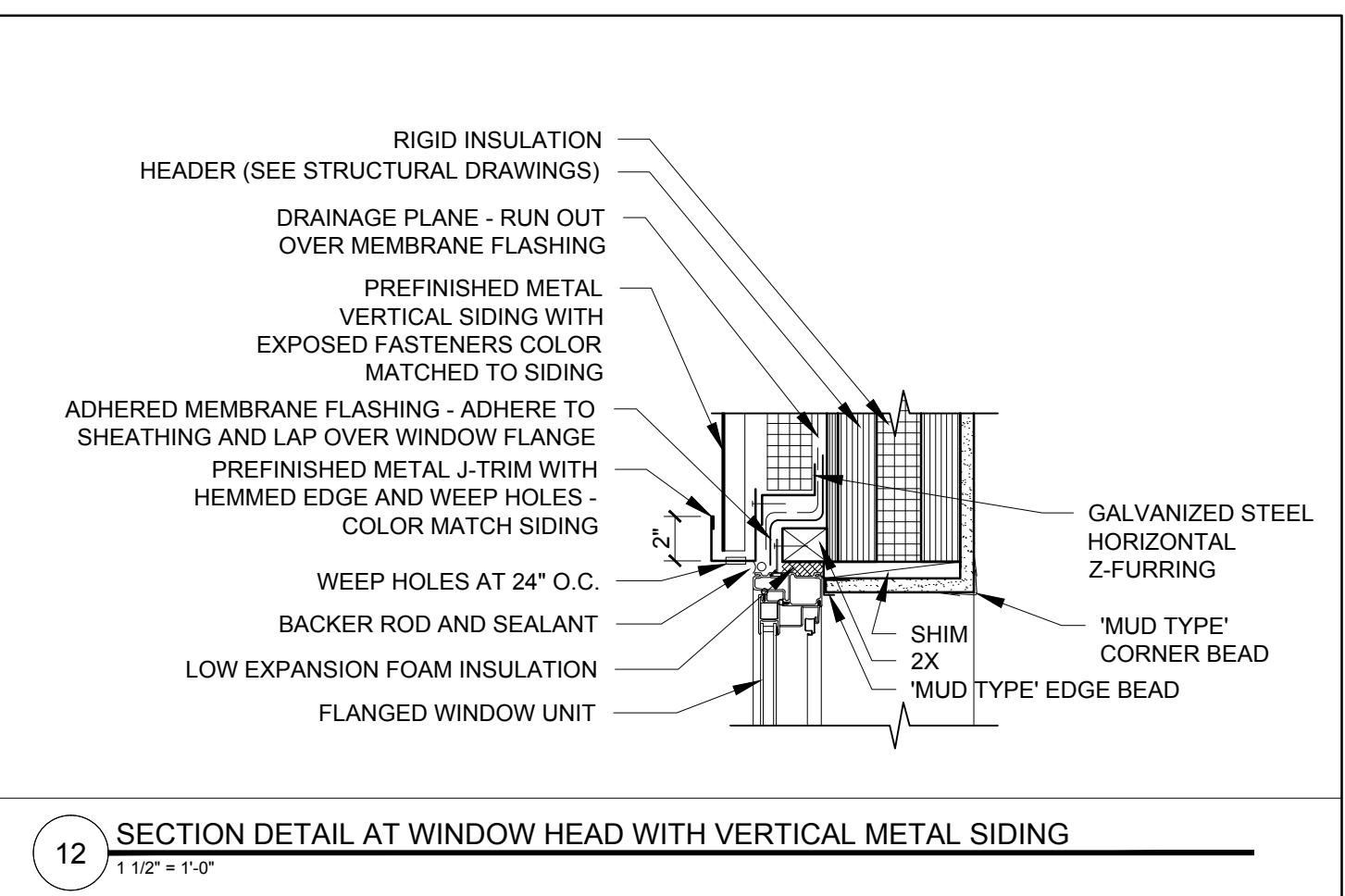
9 SECTION DETAIL AT WINDOW HEAD WITH FIBERCEMENT LAP SIDING
1/12" = 1'-0"



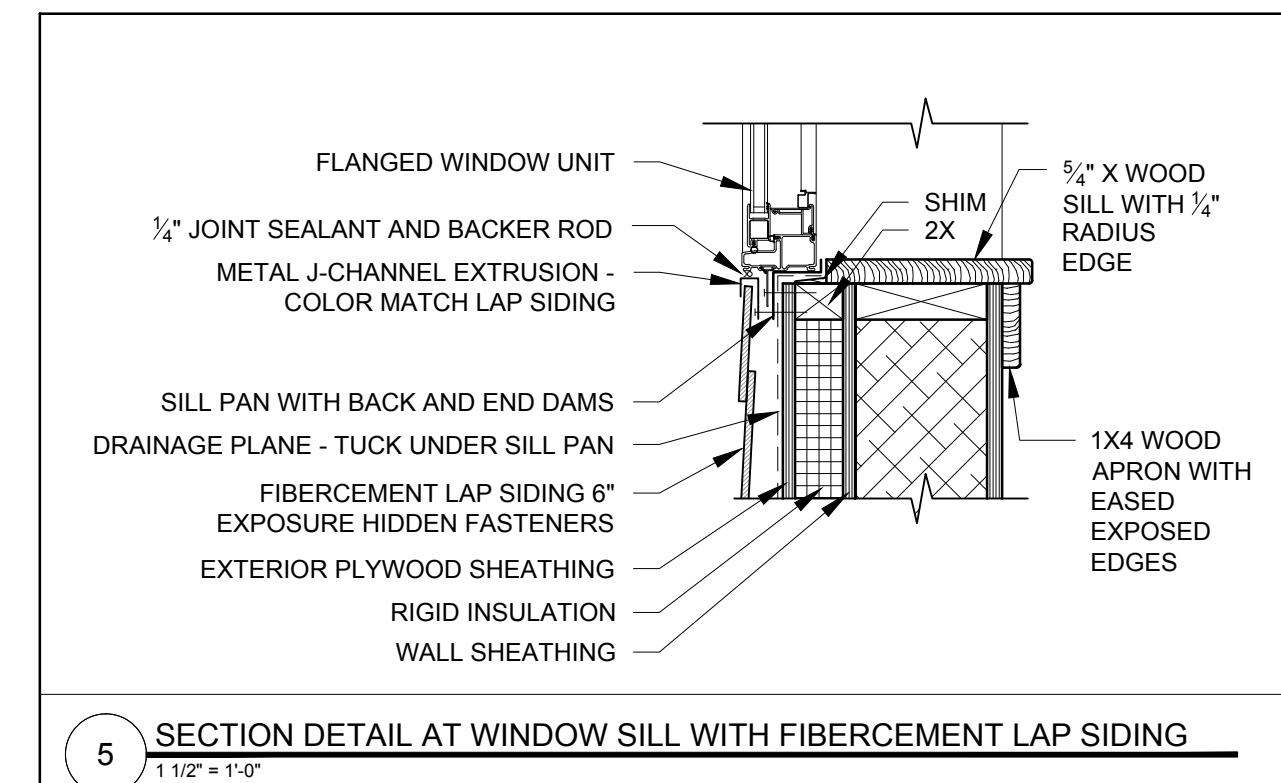
10 SECTION DETAIL AT WINDOW HEAD WITH FIBERCEMENT PANEL SIDING
1/12" = 1'-0"



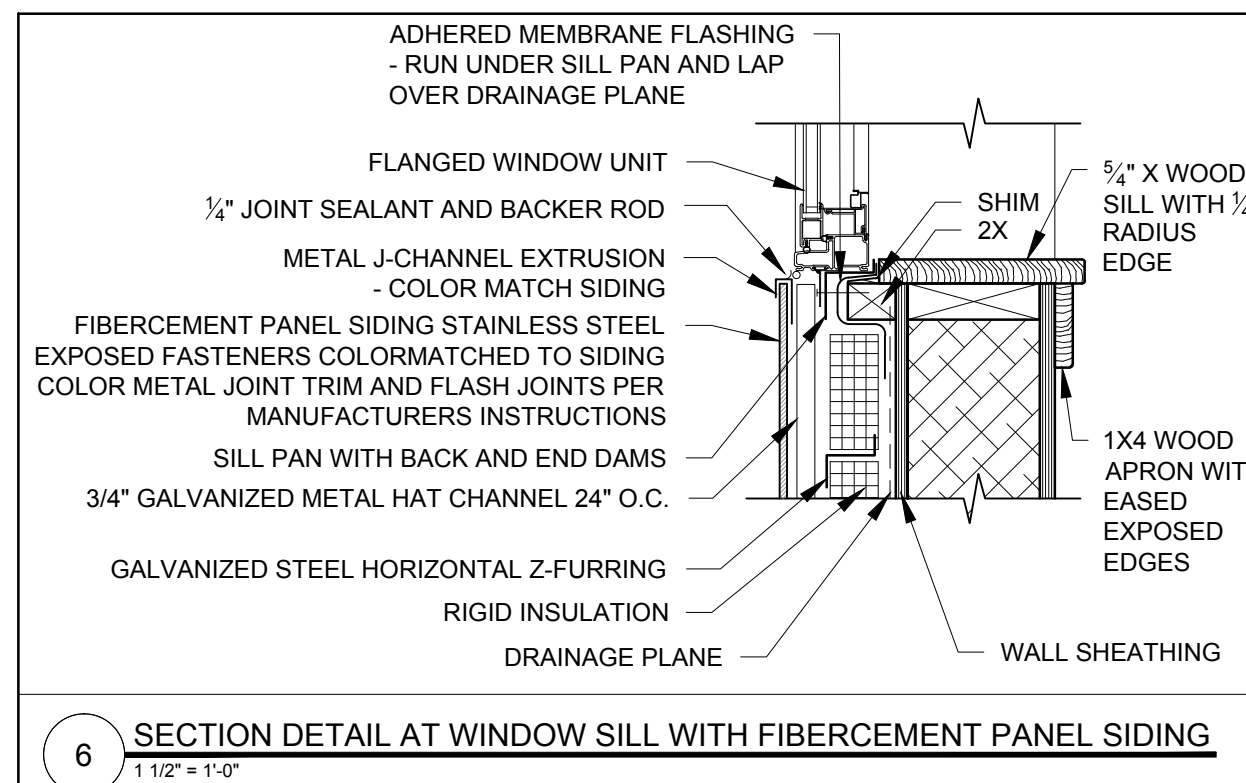
11 SECTION DETAIL AT WINDOW HEAD WITH HORIZONTAL METAL SIDING
1/12" = 1'-0"



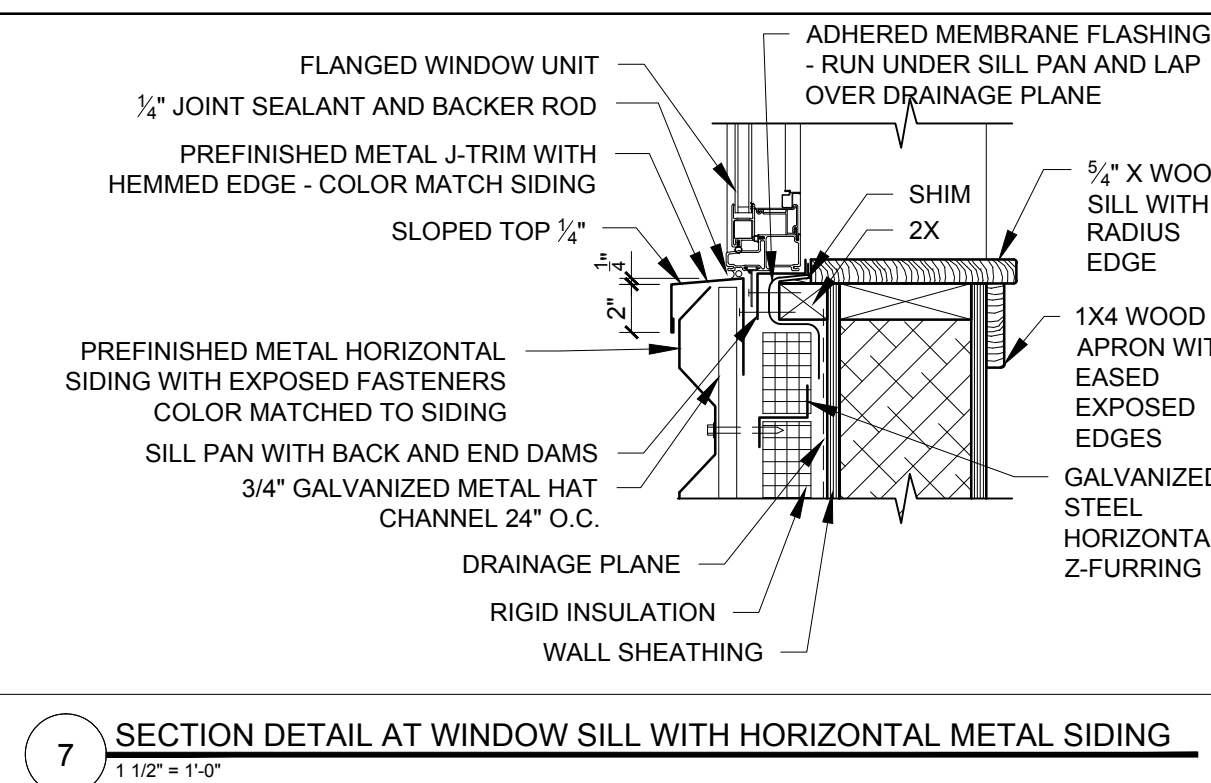
12 SECTION DETAIL AT WINDOW HEAD WITH VERTICAL METAL SIDING
1/12" = 1'-0"



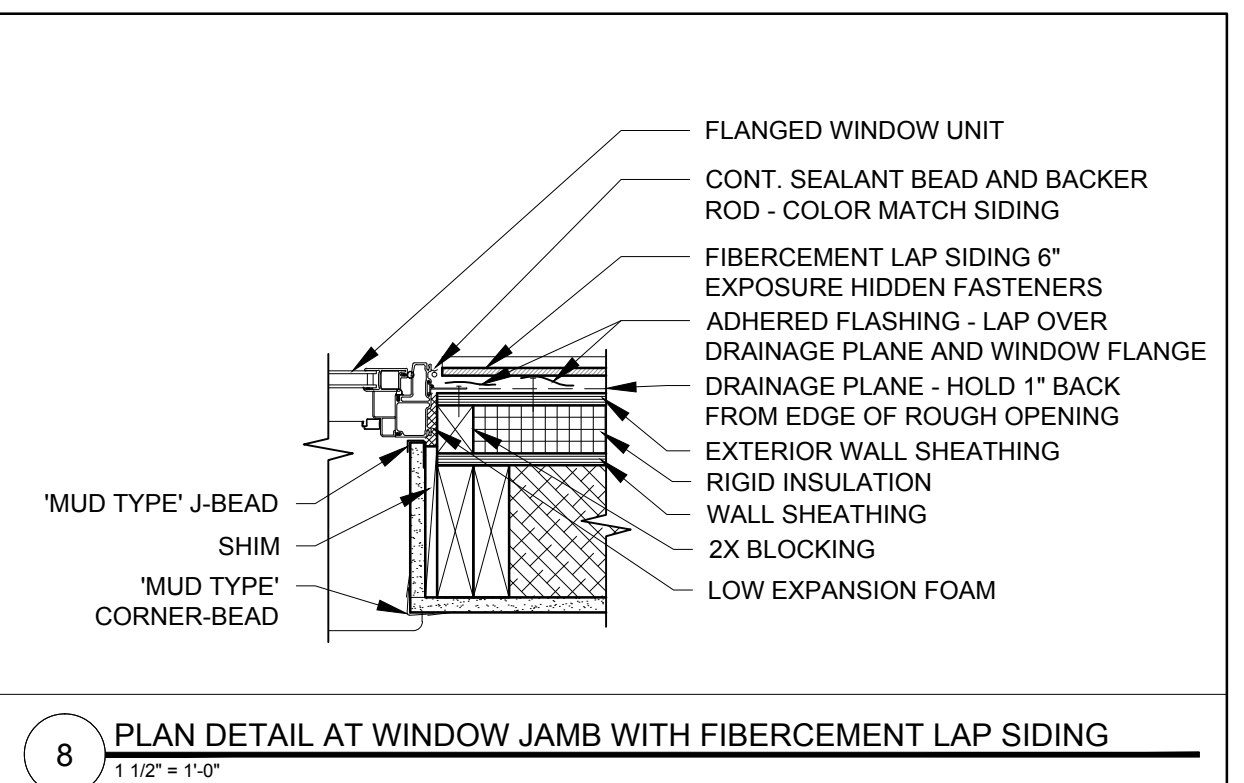
5 SECTION DETAIL AT WINDOW SILL WITH FIBERCEMENT LAP SIDING
1/12" = 1'-0"



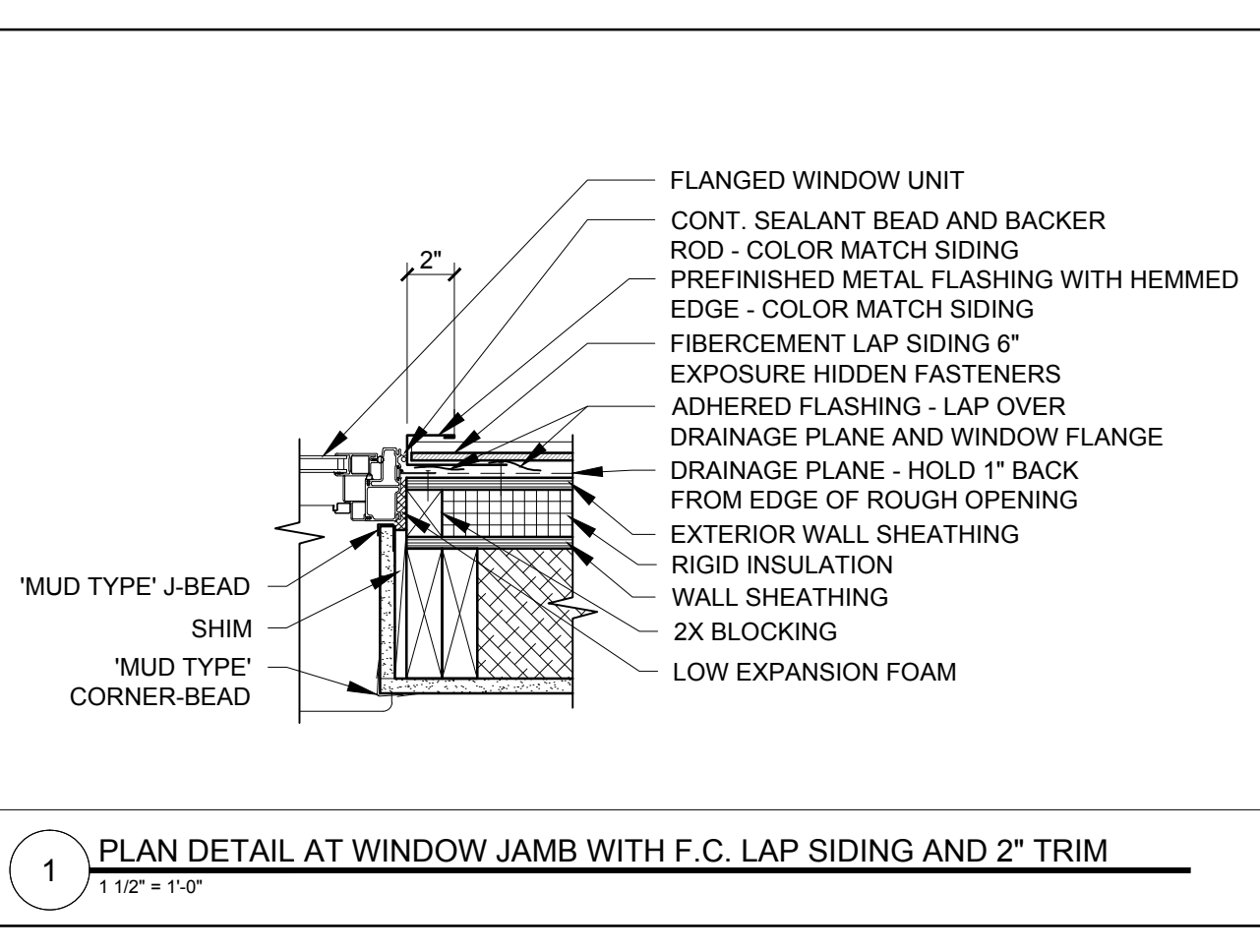
6 SECTION DETAIL AT WINDOW SILL WITH FIBERCEMENT PANEL SIDING
1/12" = 1'-0"



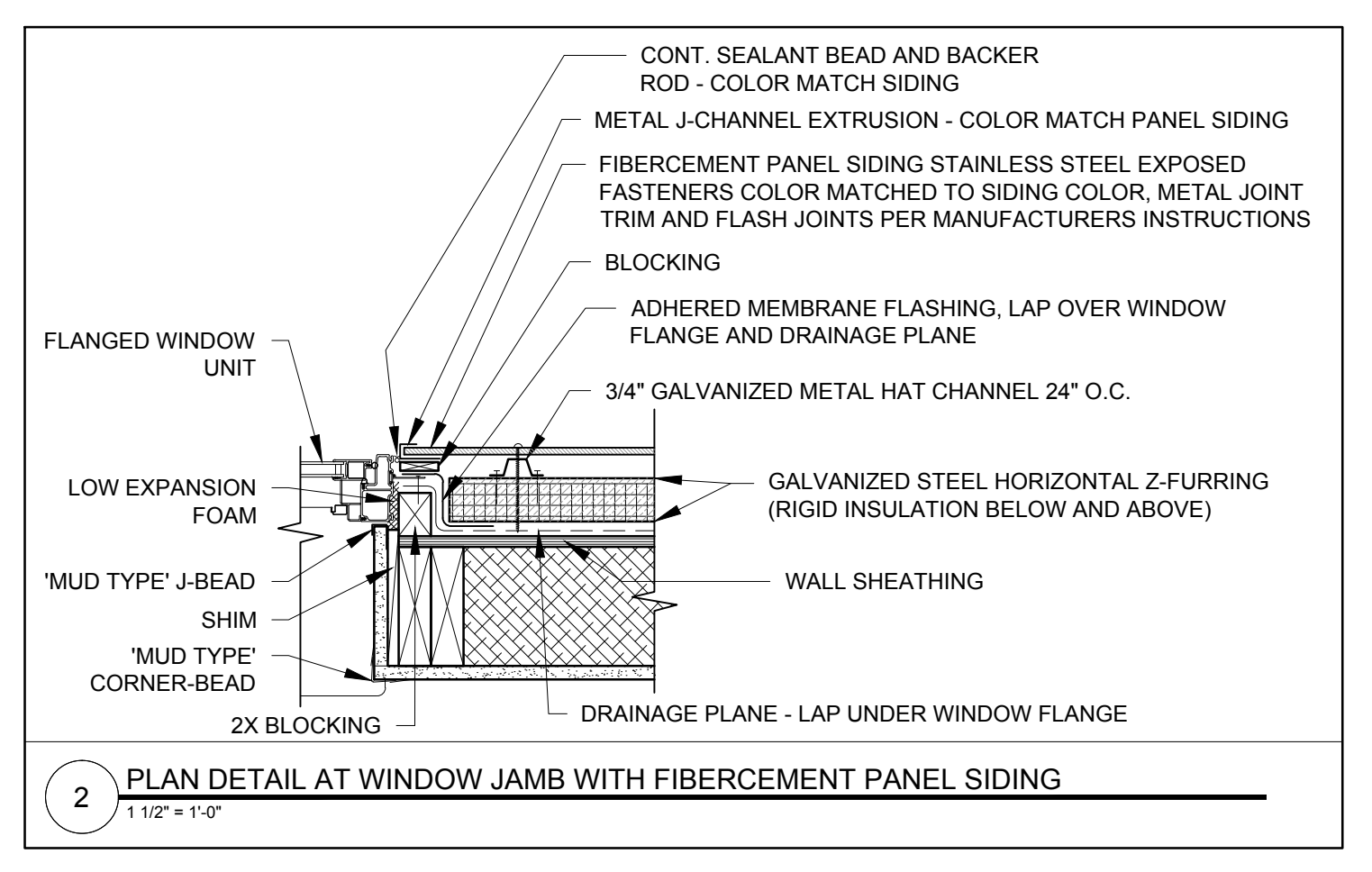
7 SECTION DETAIL AT WINDOW SILL WITH HORIZONTAL METAL SIDING
1/12" = 1'-0"



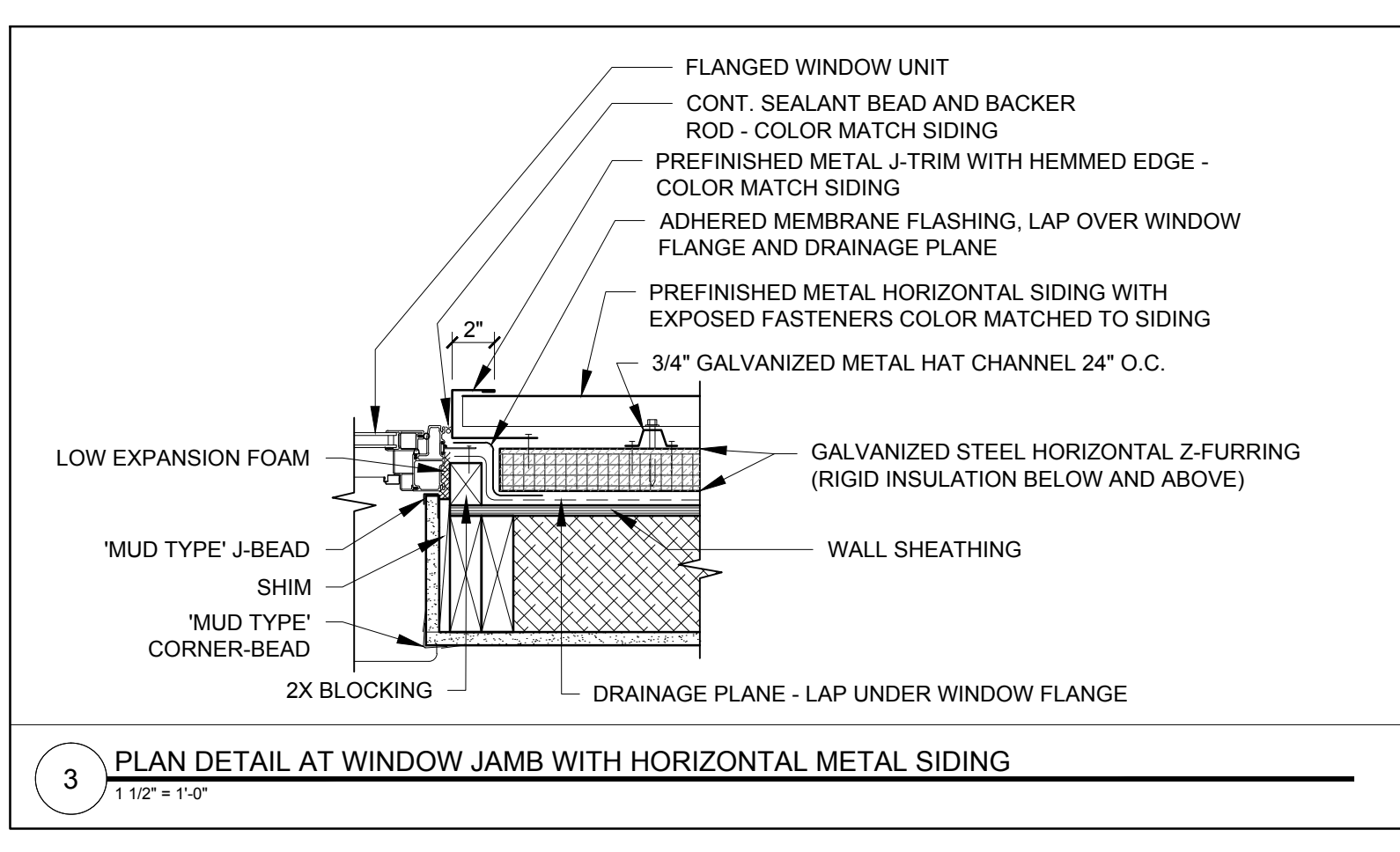
8 PLAN DETAIL AT WINDOW JAMB WITH FIBERCEMENT LAP SIDING
1/12" = 1'-0"



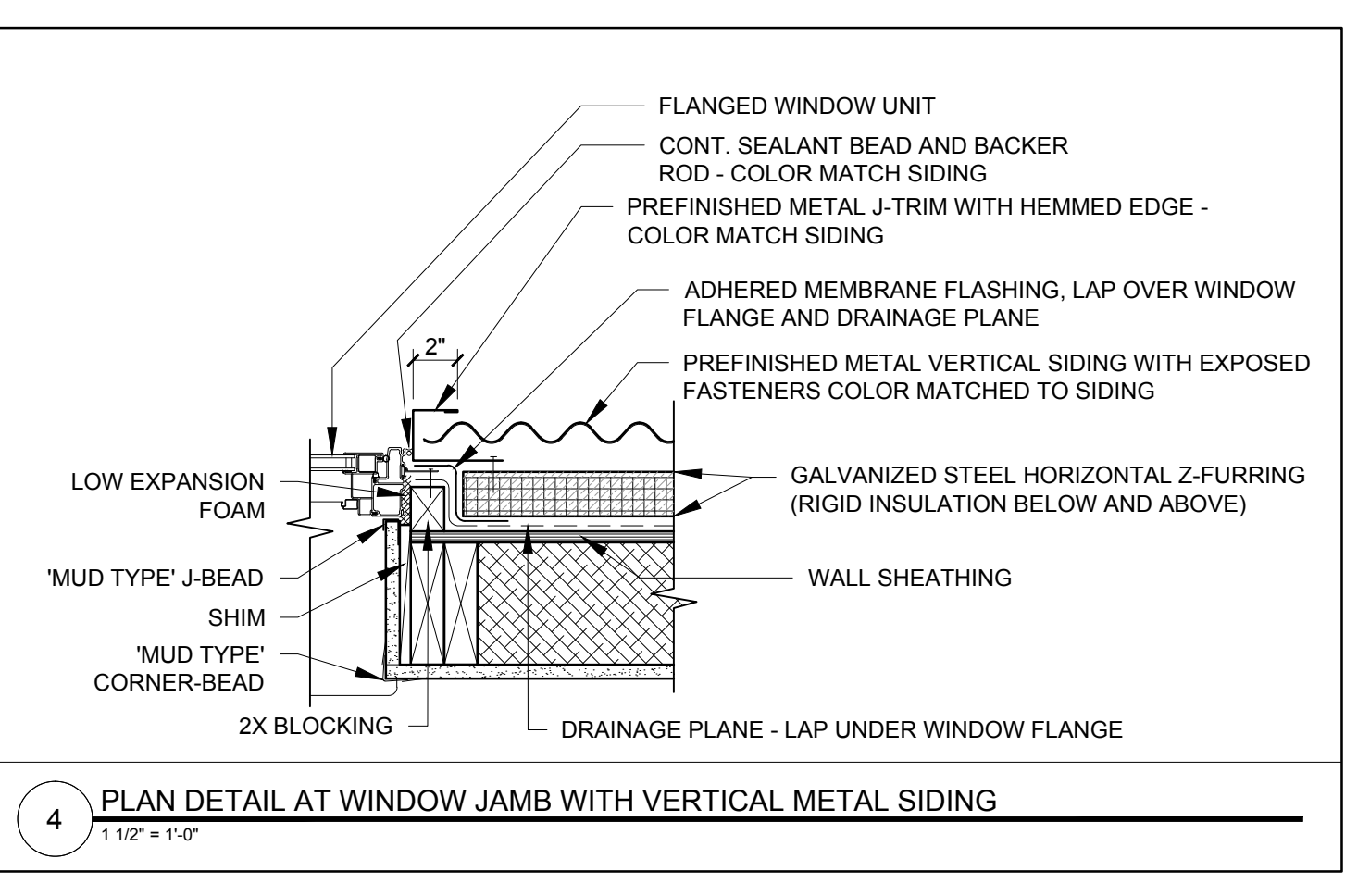
1 PLAN DETAIL AT WINDOW JAMB WITH F.C. LAP SIDING AND 2\"/>



2 PLAN DETAIL AT WINDOW JAMB WITH FIBERCEMENT PANEL SIDING
1/12" = 1'-0"



3 PLAN DETAIL AT WINDOW JAMB WITH HORIZONTAL METAL SIDING
1/12" = 1'-0"



4 PLAN DETAIL AT WINDOW JAMB WITH VERTICAL METAL SIDING
1/12" = 1'-0"