

© 2015 RYAN SENATORE ARCHITECTURE

APARTMENTS
89 ANDERSON STREET
PORTLAND, MAINE



RYAN SENATORE
ARCHITECTURE
565 CONGRESS STREET
PORTLAND, MAINE 04101
207-650-6414
senatorearchitecture.com

CONSULTANTS:

STRUCTURAL:
Structural Integrity
77 Oak Street
Portland, ME 04101
207-774-4614

REVISIONS:

DATE: JULY 3, 2015

PROJECT No. 1415

DRAWN BY: RRT / RJS

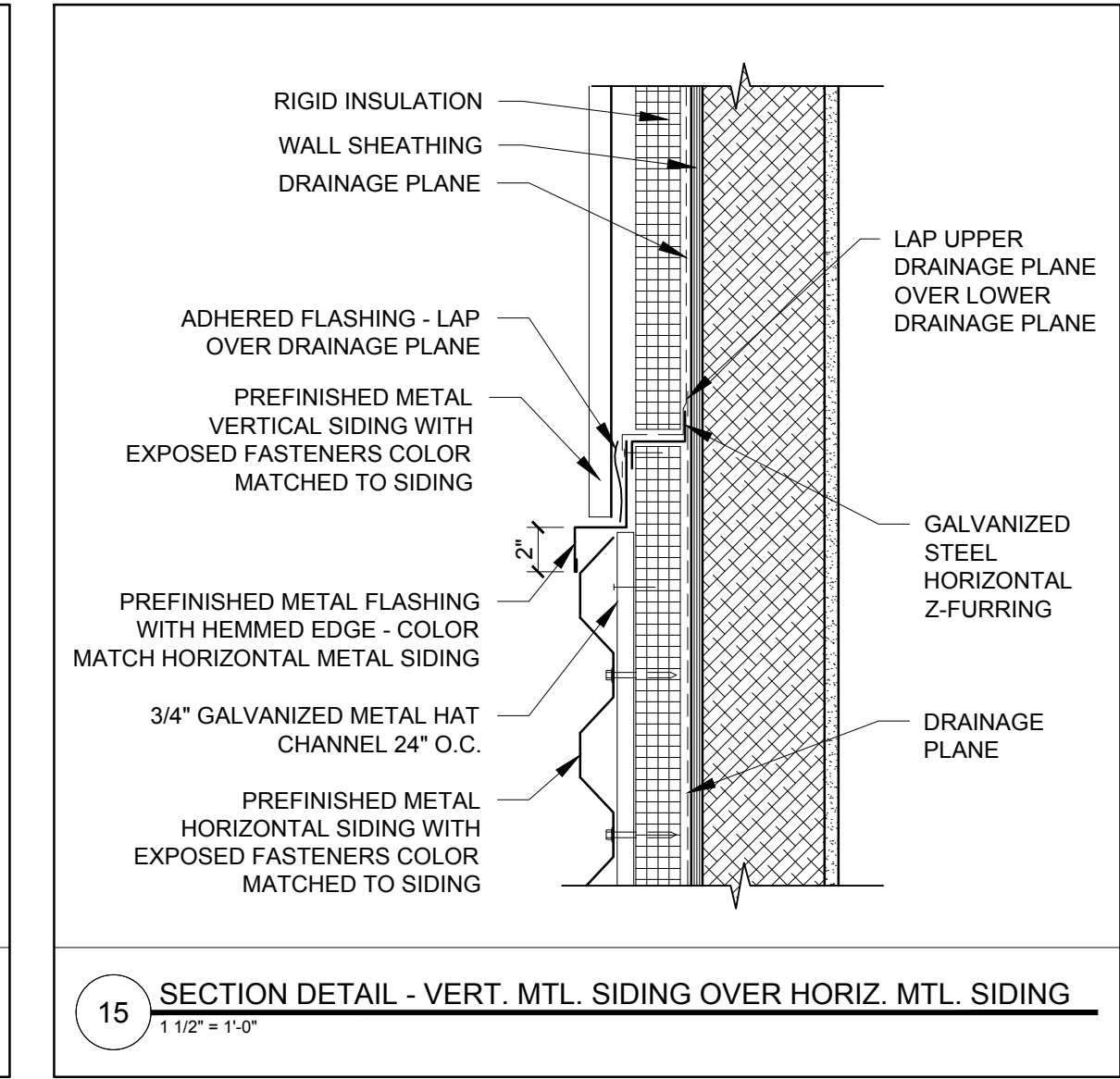
CHECKED BY: RJS

SCALE: AS NOTED

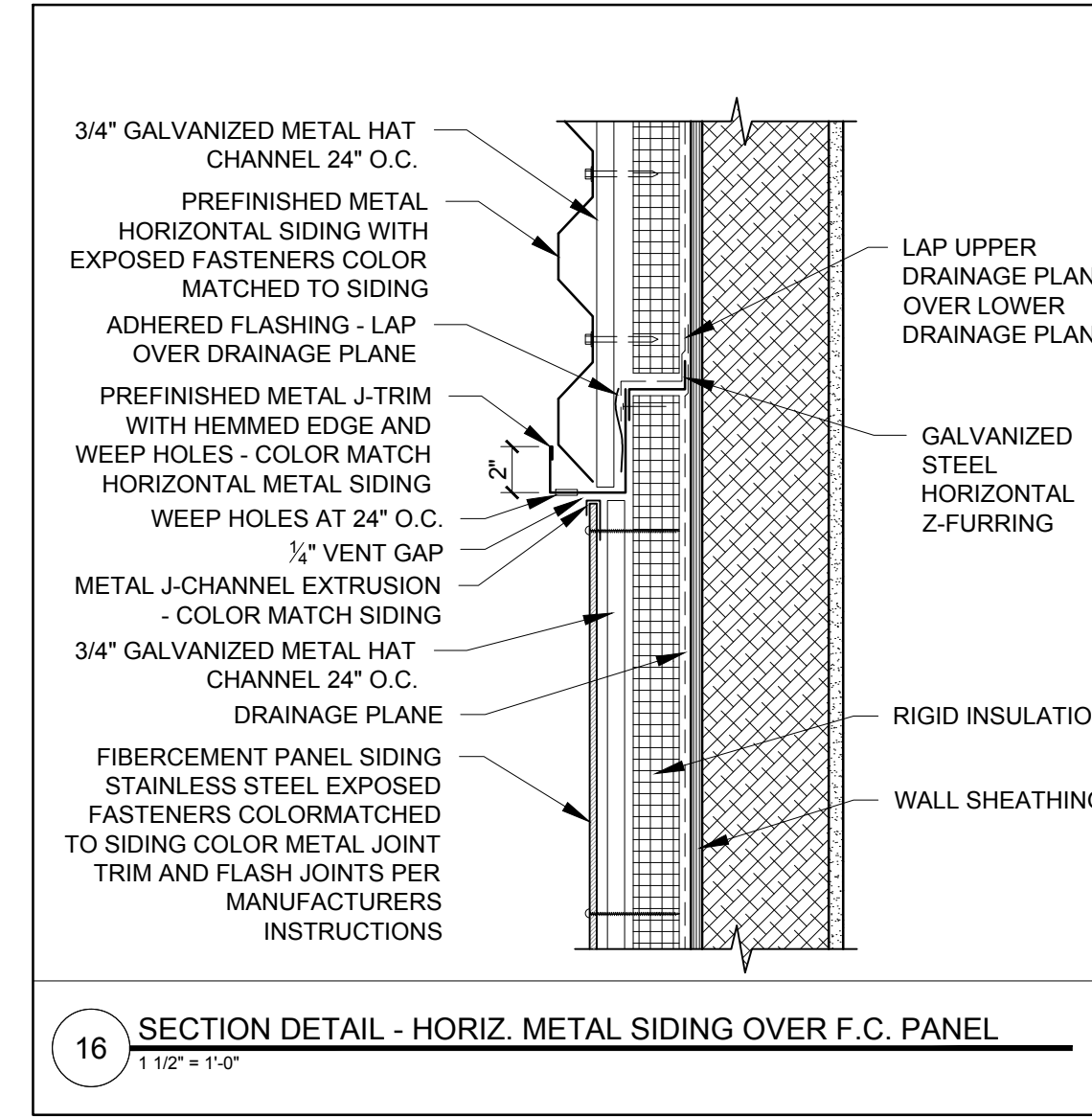
SHEET TITLE:

DETAILS

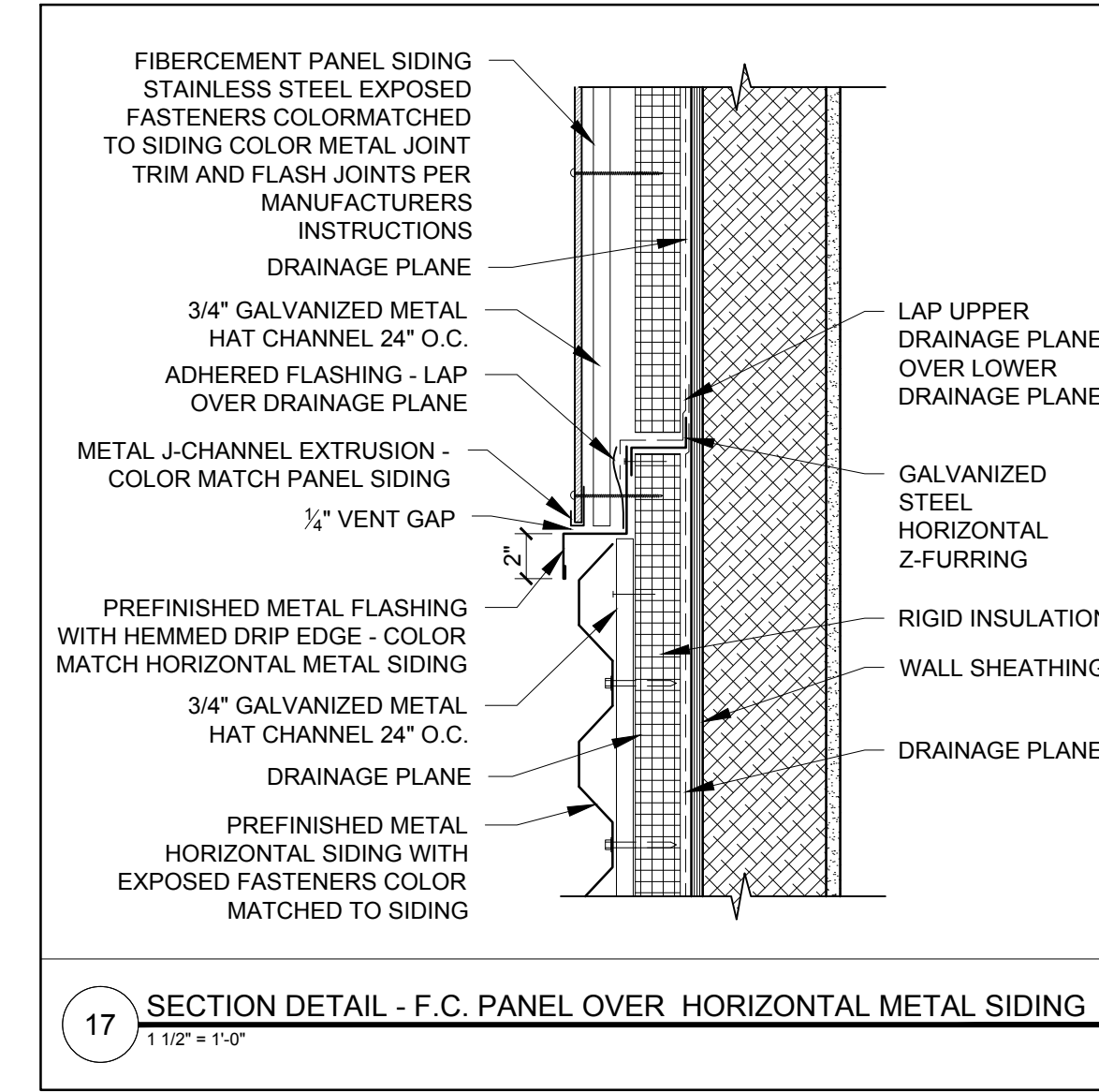
A5-7



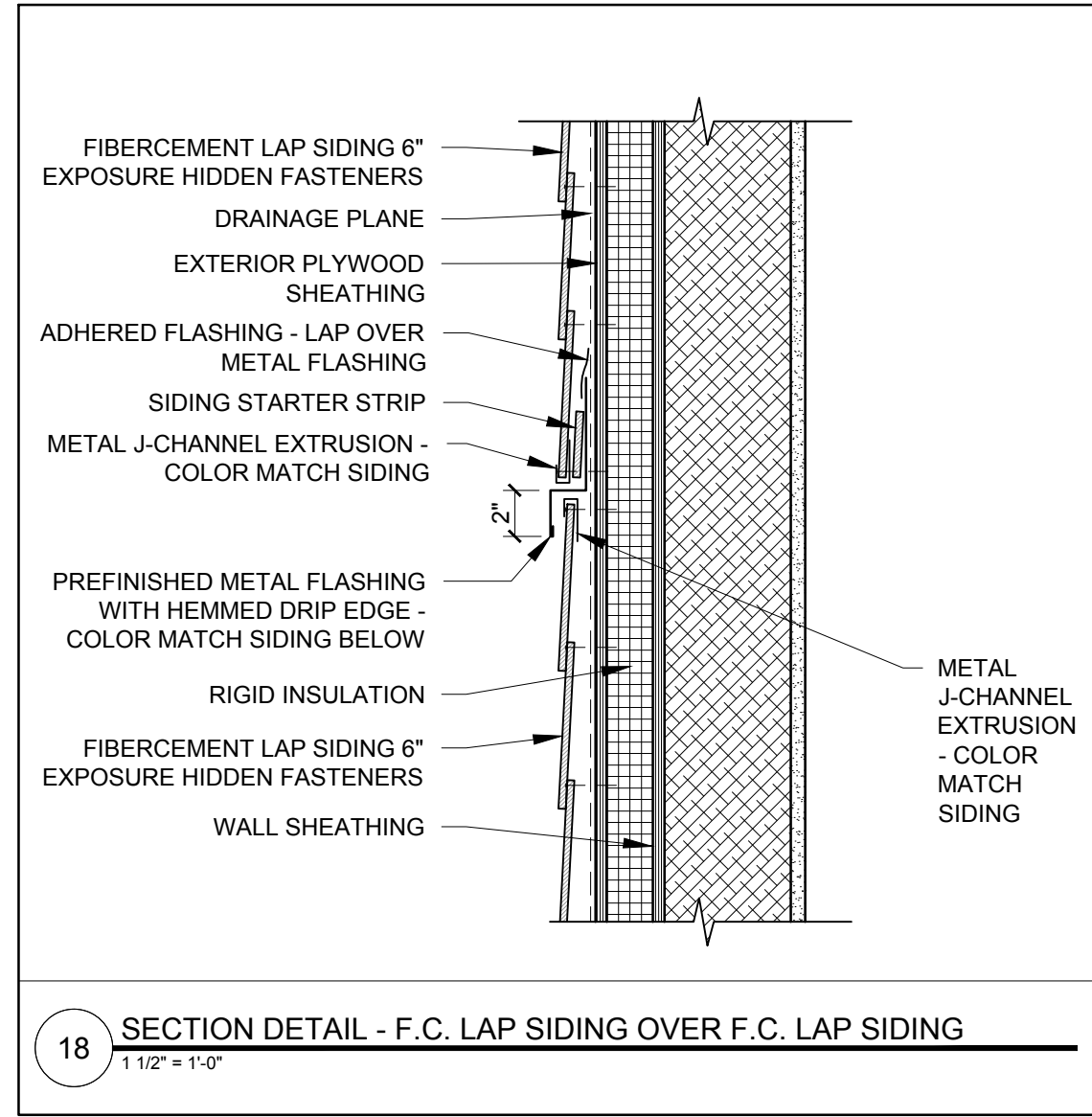
15 SECTION DETAIL - VERT. MTL. SIDING OVER HORIZ. MTL. SIDING
1 1/2" = 1'-0"



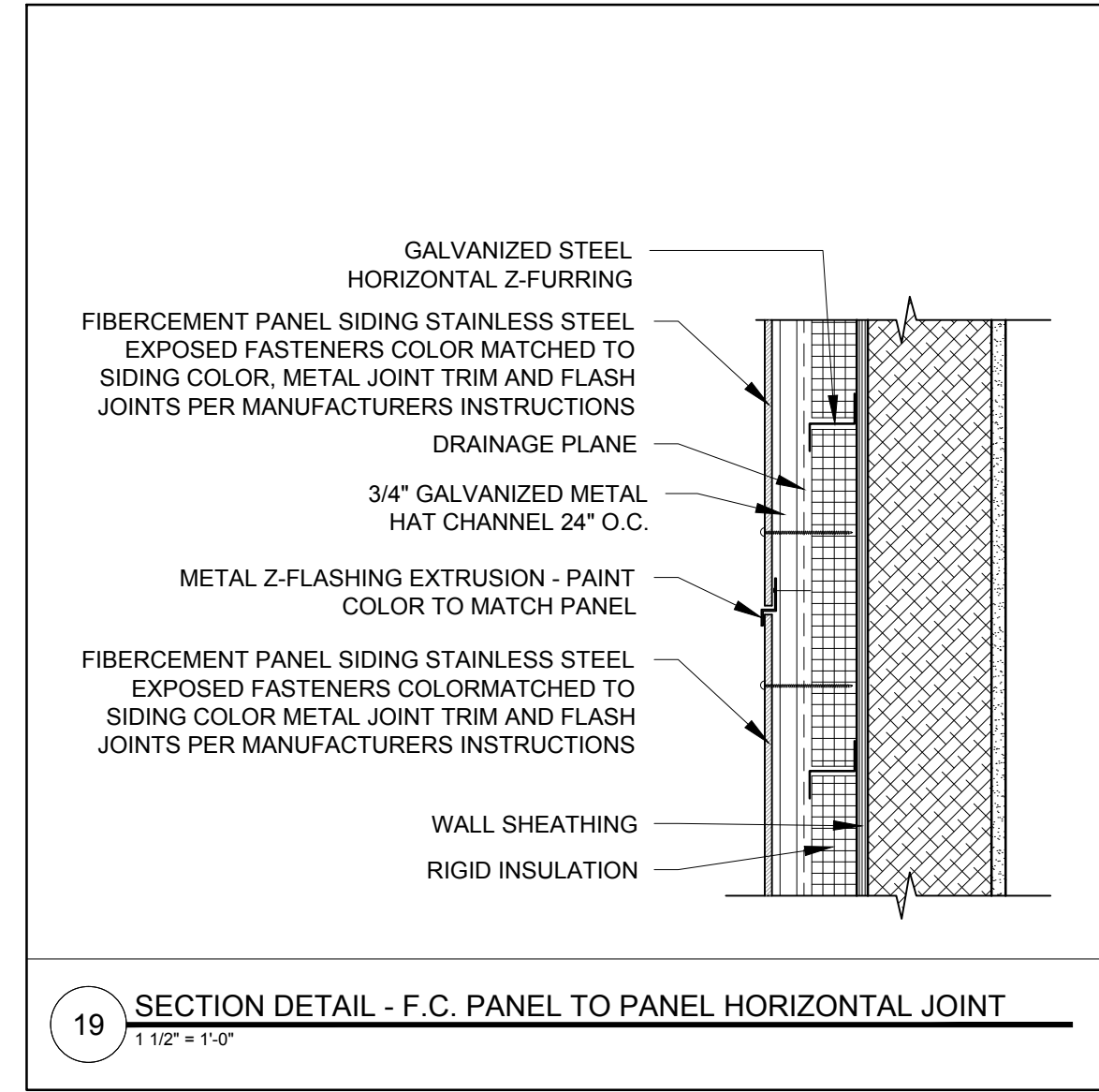
16 SECTION DETAIL - HORIZ. METAL SIDING OVER F.C. PANEL
1 1/2" = 1'-0"



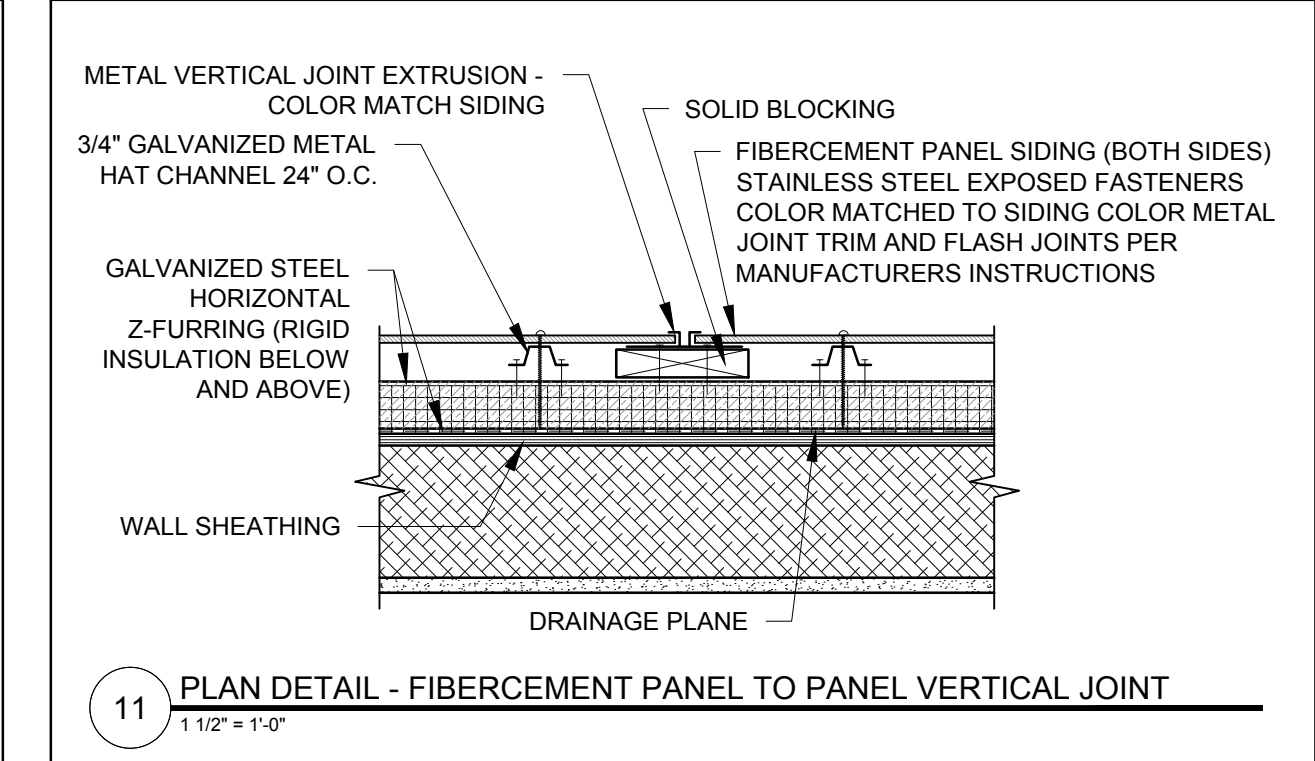
17 SECTION DETAIL - F.C. PANEL OVER HORIZONTAL METAL SIDING
1 1/2" = 1'-0"



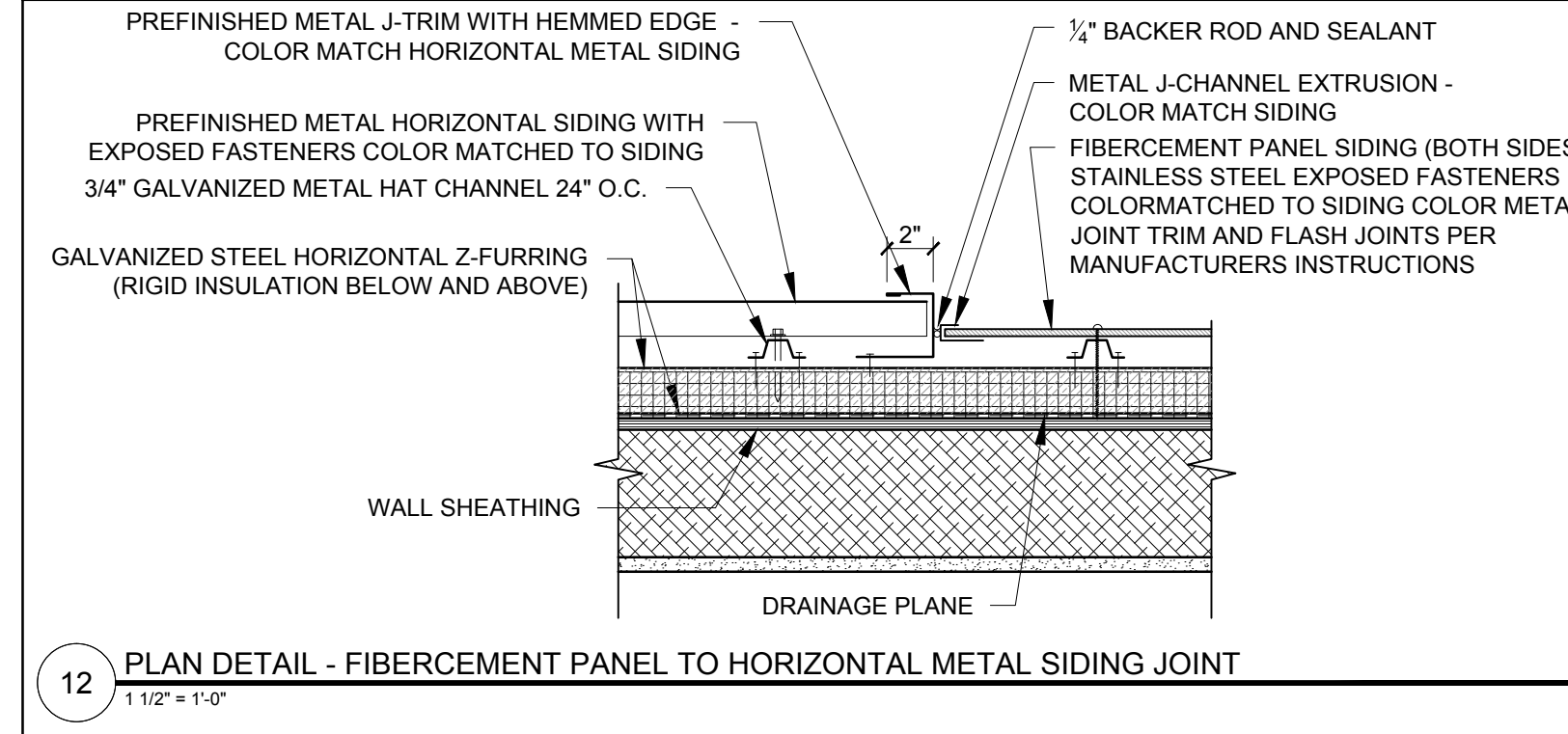
18 SECTION DETAIL - F.C. LAP SIDING OVER F.C. LAP SIDING
1 1/2" = 1'-0"



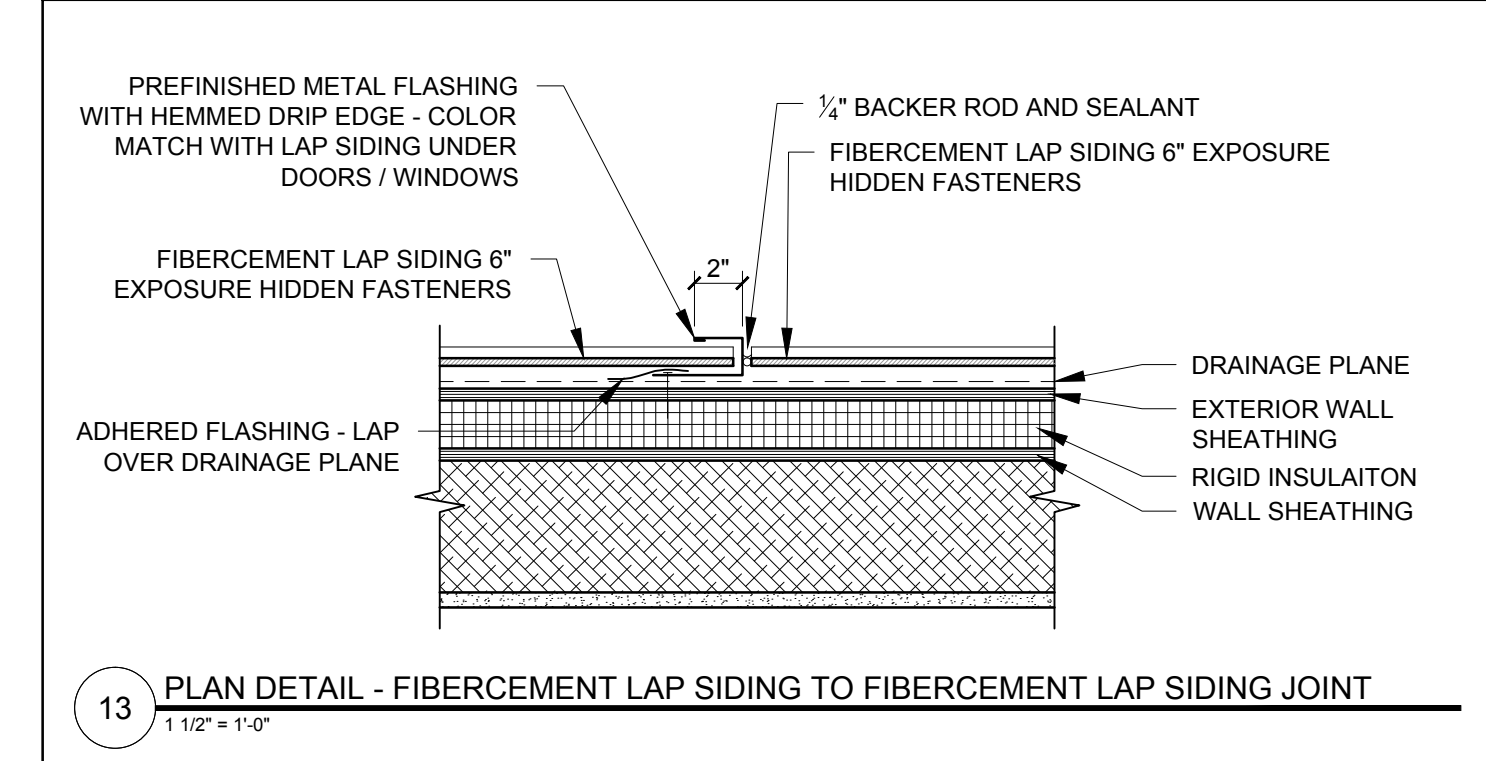
19 SECTION DETAIL - F.C. PANEL TO PANEL HORIZONTAL JOINT
1 1/2" = 1'-0"



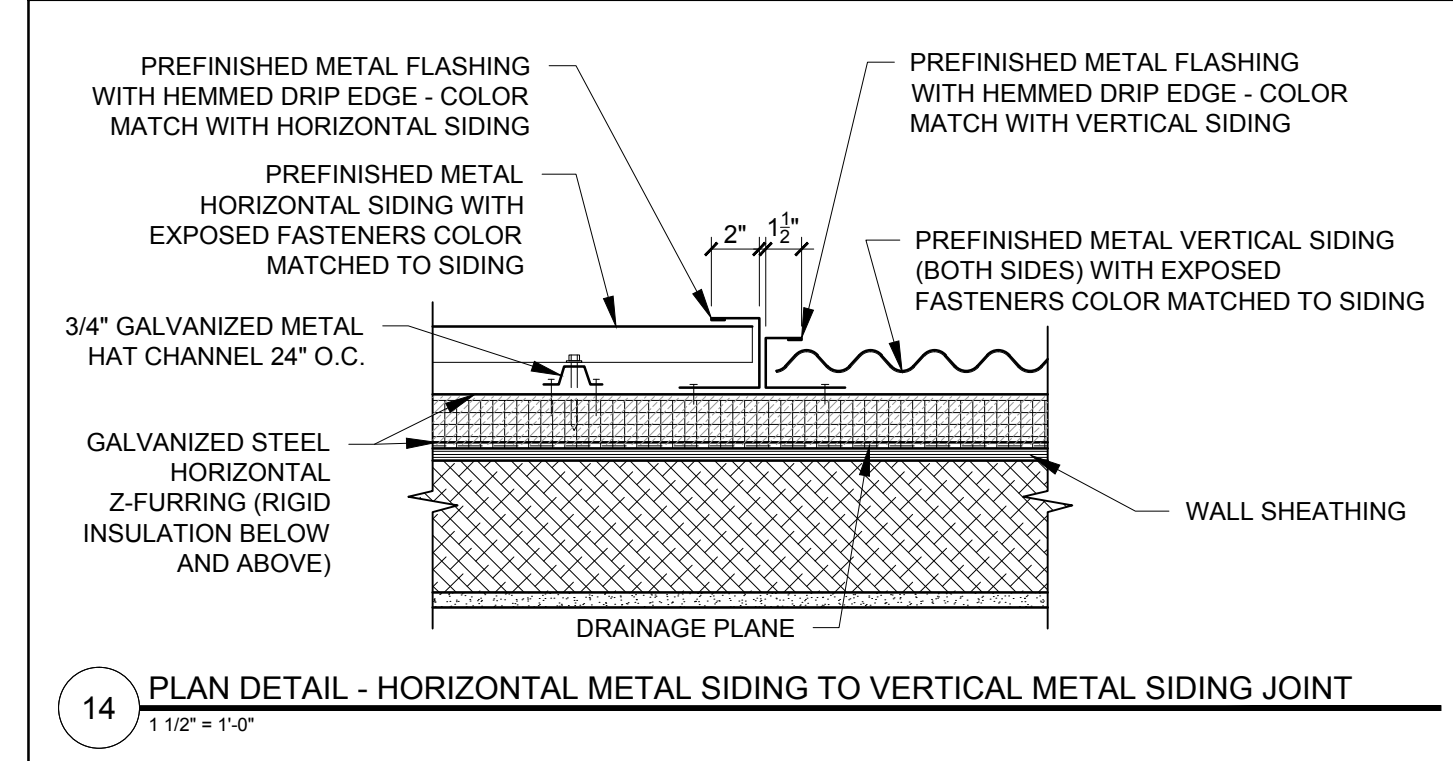
11 PLAN DETAIL - FIBERCEMENT PANEL TO PANEL VERTICAL JOINT
1 1/2" = 1'-0"



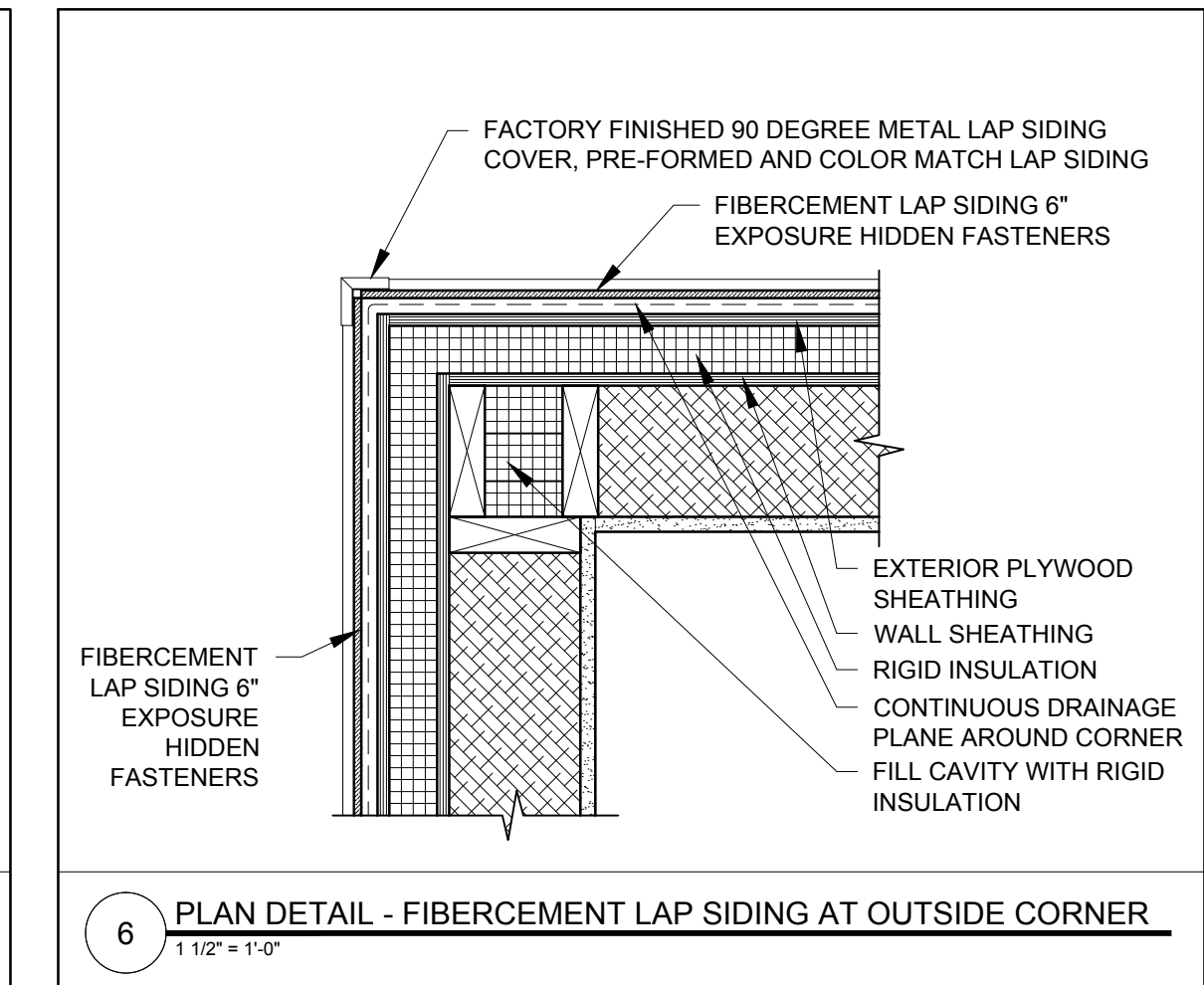
12 PLAN DETAIL - FIBERCEMENT PANEL TO HORIZONTAL METAL SIDING JOINT
1 1/2" = 1'-0"



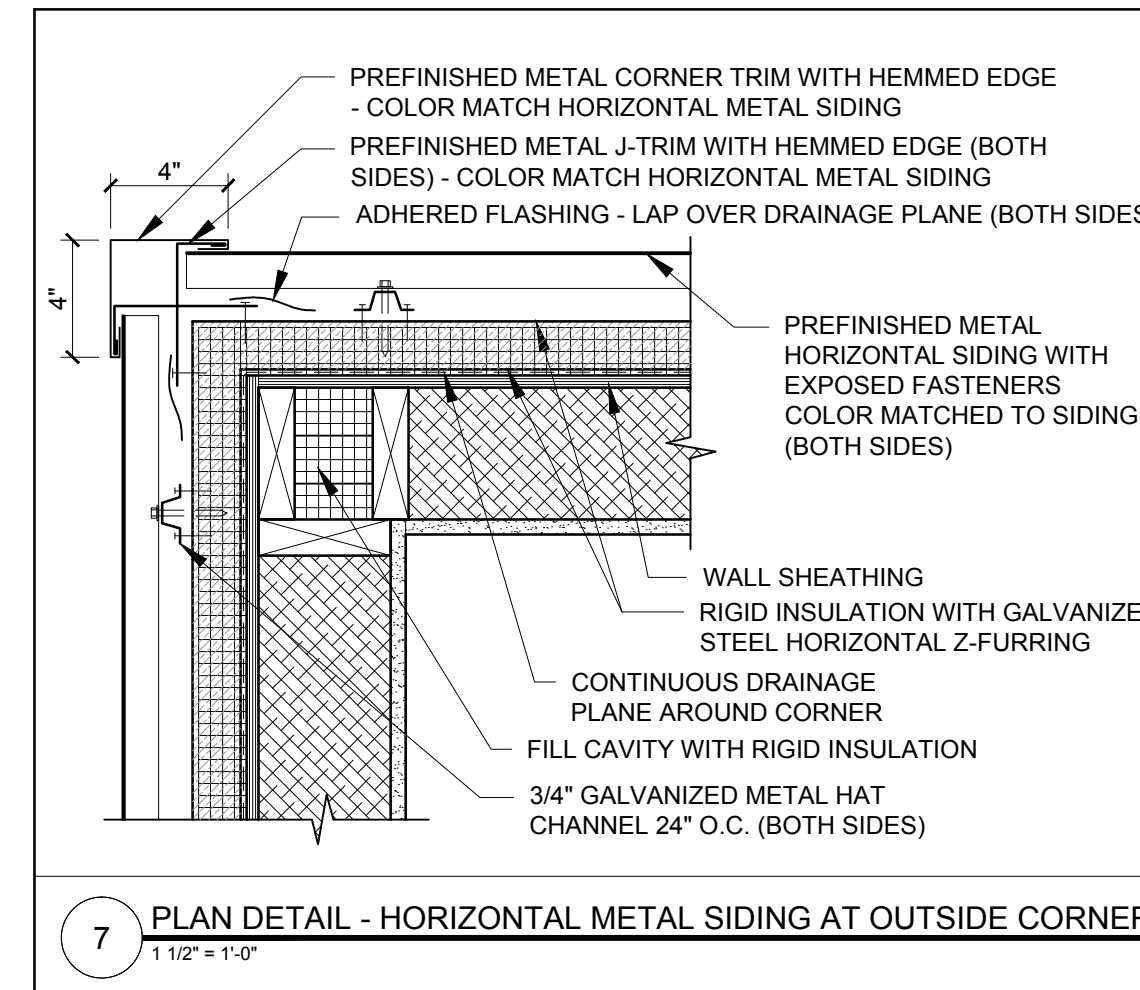
13 PLAN DETAIL - FIBERCEMENT LAP SIDING TO FIBERCEMENT LAP SIDING JOINT
1 1/2" = 1'-0"



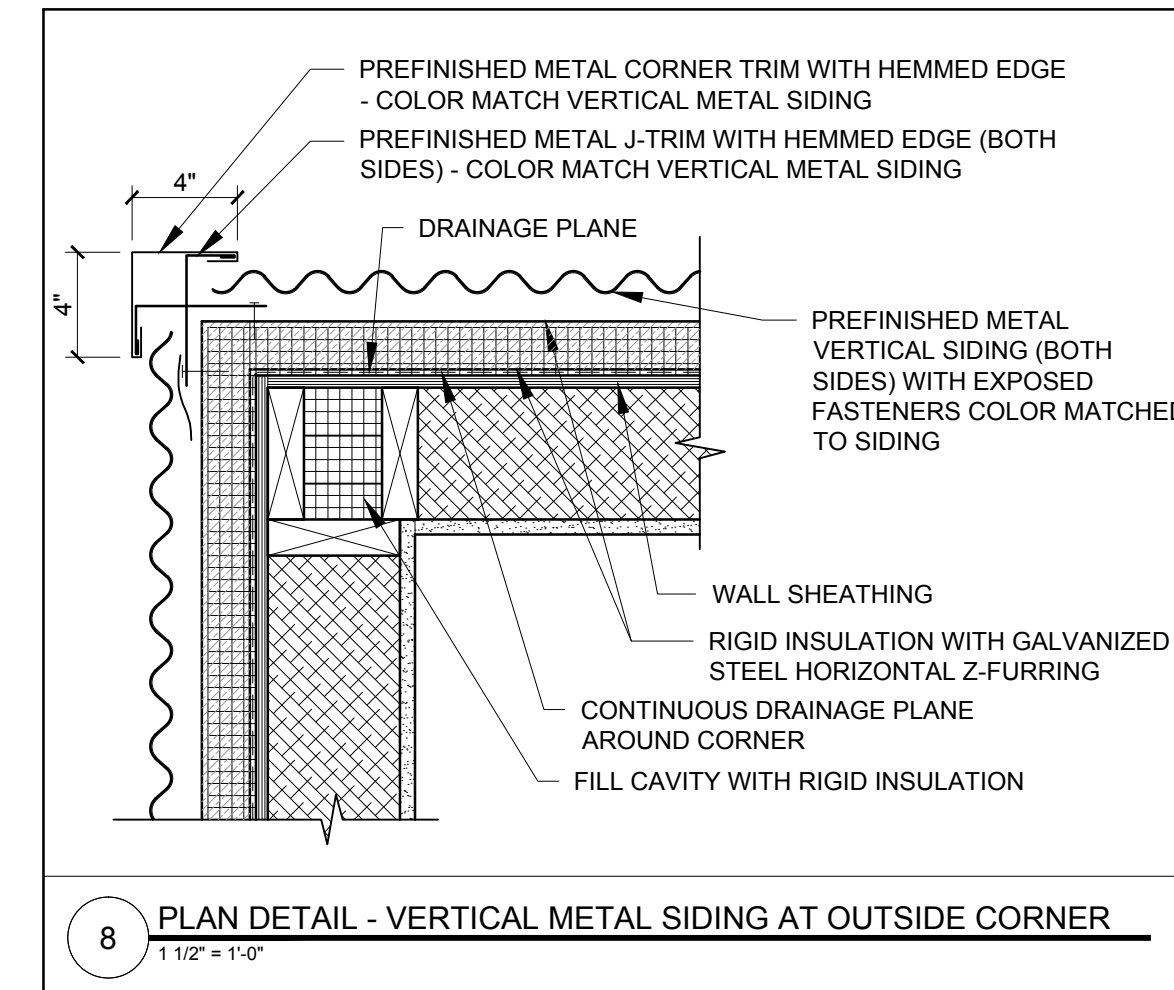
14 PLAN DETAIL - HORIZONTAL METAL SIDING TO VERTICAL METAL SIDING JOINT
1 1/2" = 1'-0"



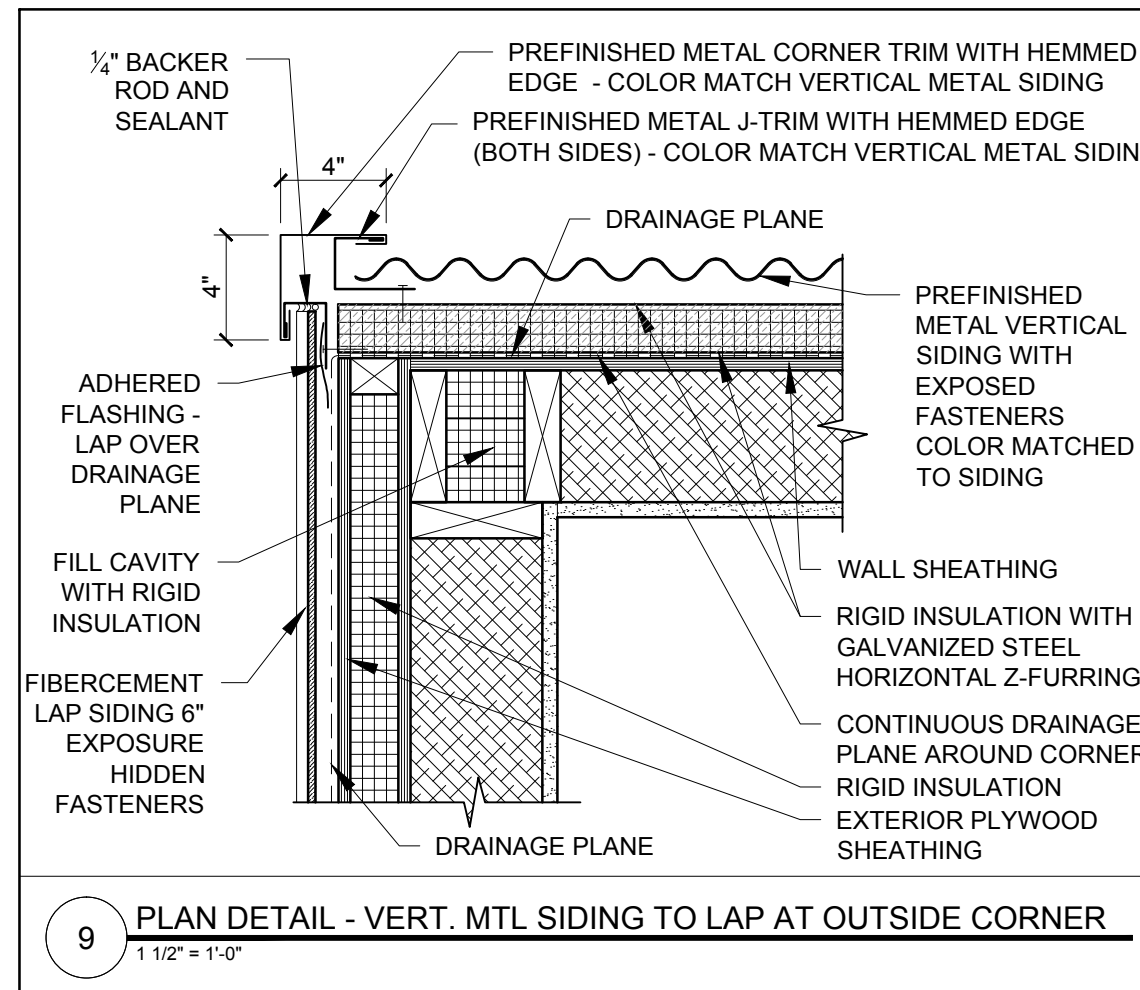
6 PLAN DETAIL - FIBERCEMENT LAP SIDING AT OUTSIDE CORNER
1 1/2" = 1'-0"



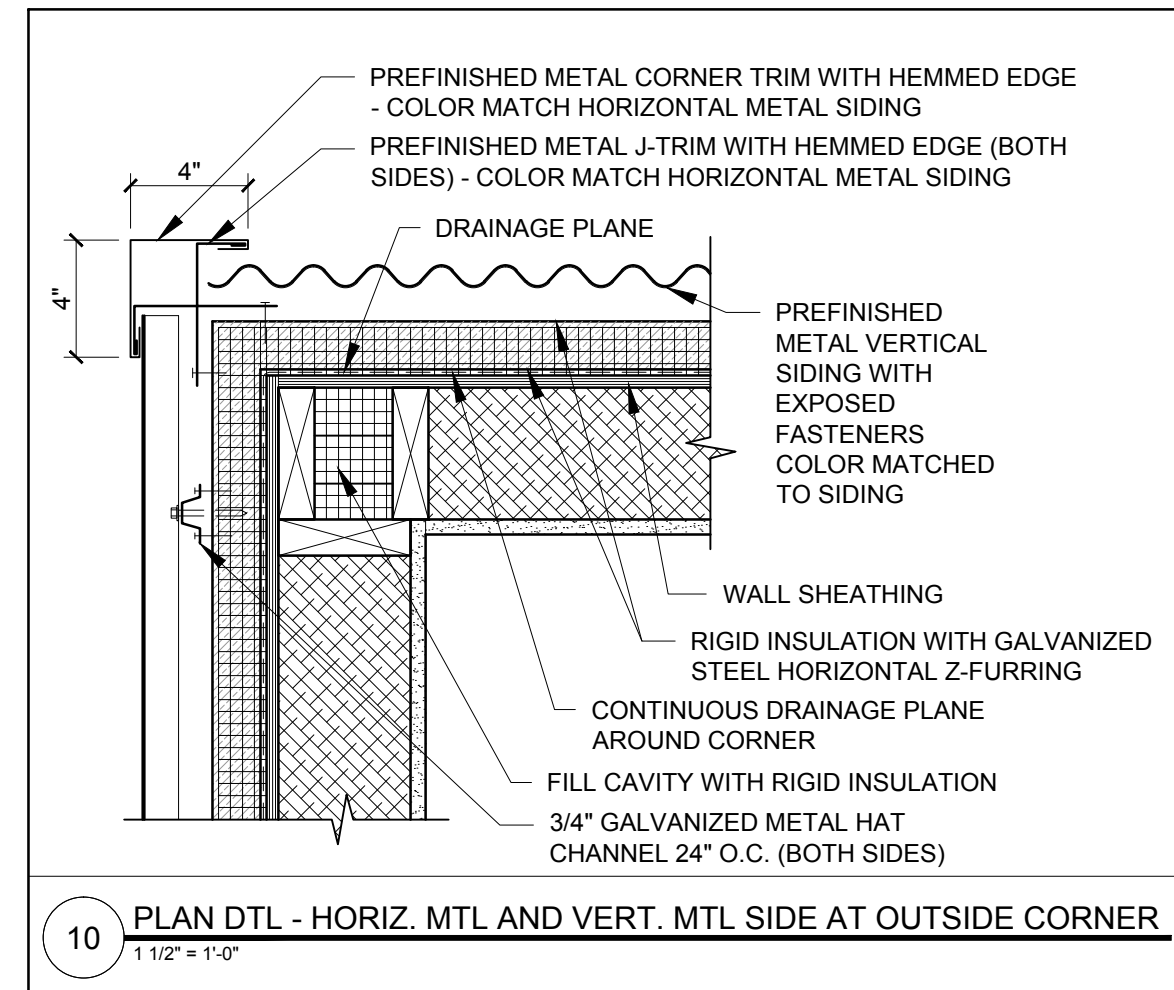
7 PLAN DETAIL - HORIZONTAL METAL SIDING AT OUTSIDE CORNER
1 1/2" = 1'-0"



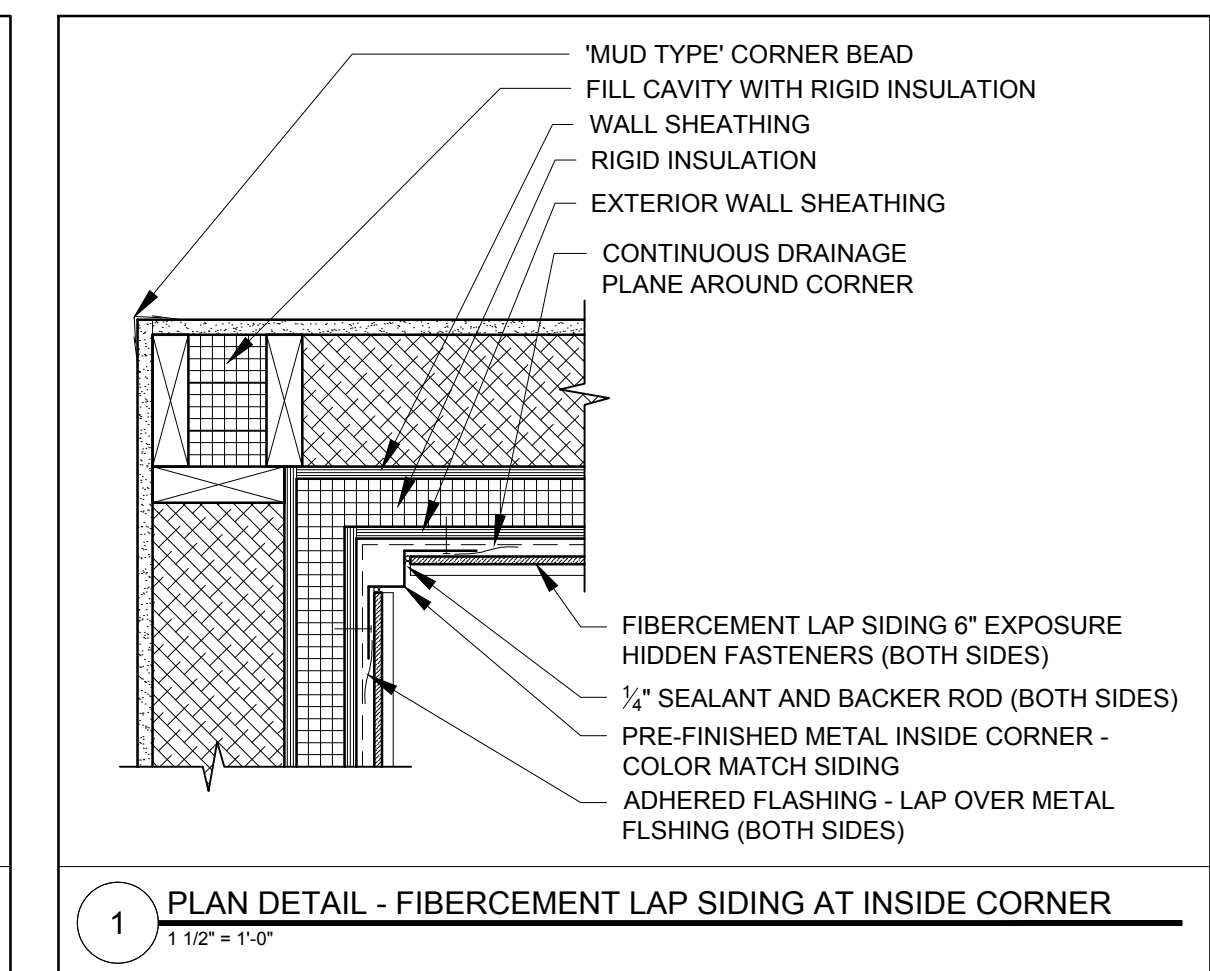
8 PLAN DETAIL - VERTICAL METAL SIDING AT OUTSIDE CORNER
1 1/2" = 1'-0"



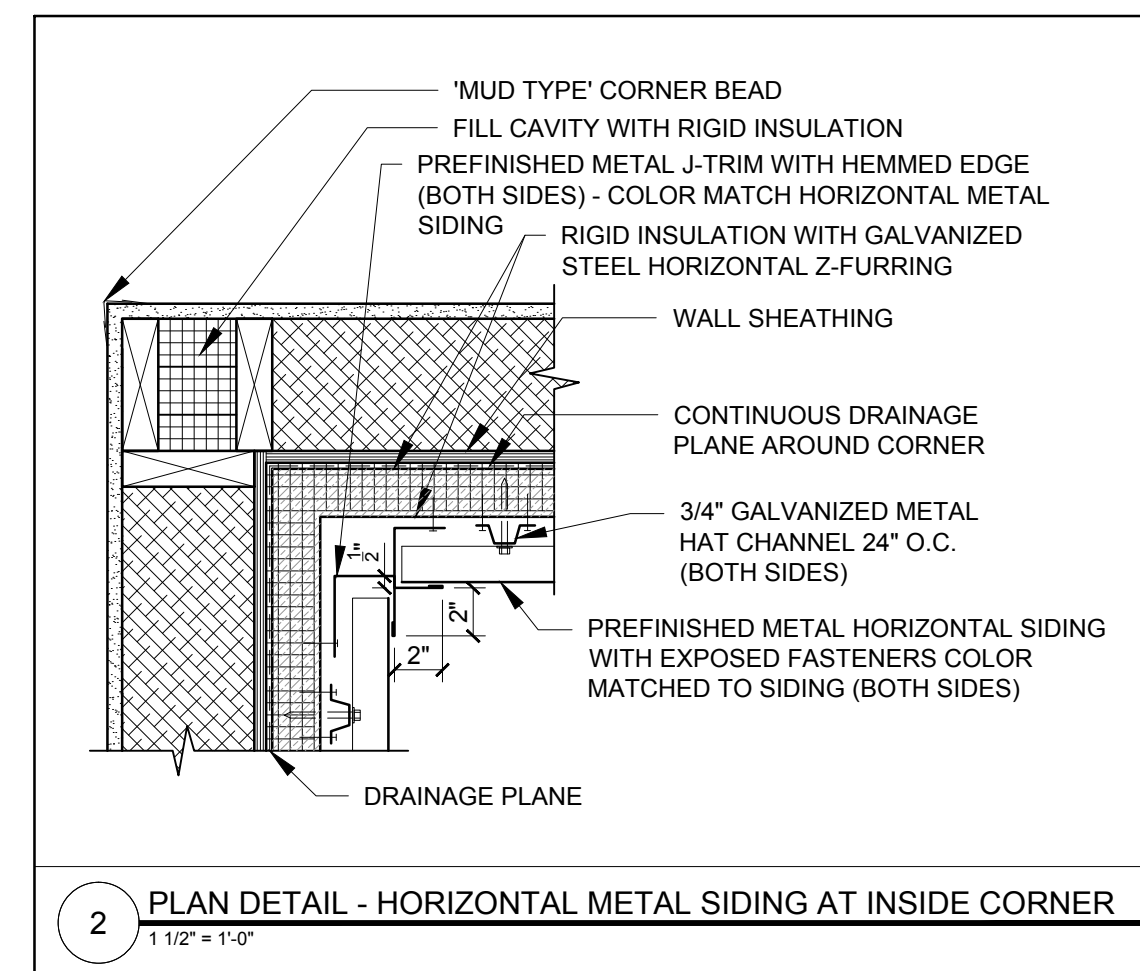
9 PLAN DETAIL - VERT. MTL SIDING TO LAP AT OUTSIDE CORNER
1 1/2" = 1'-0"



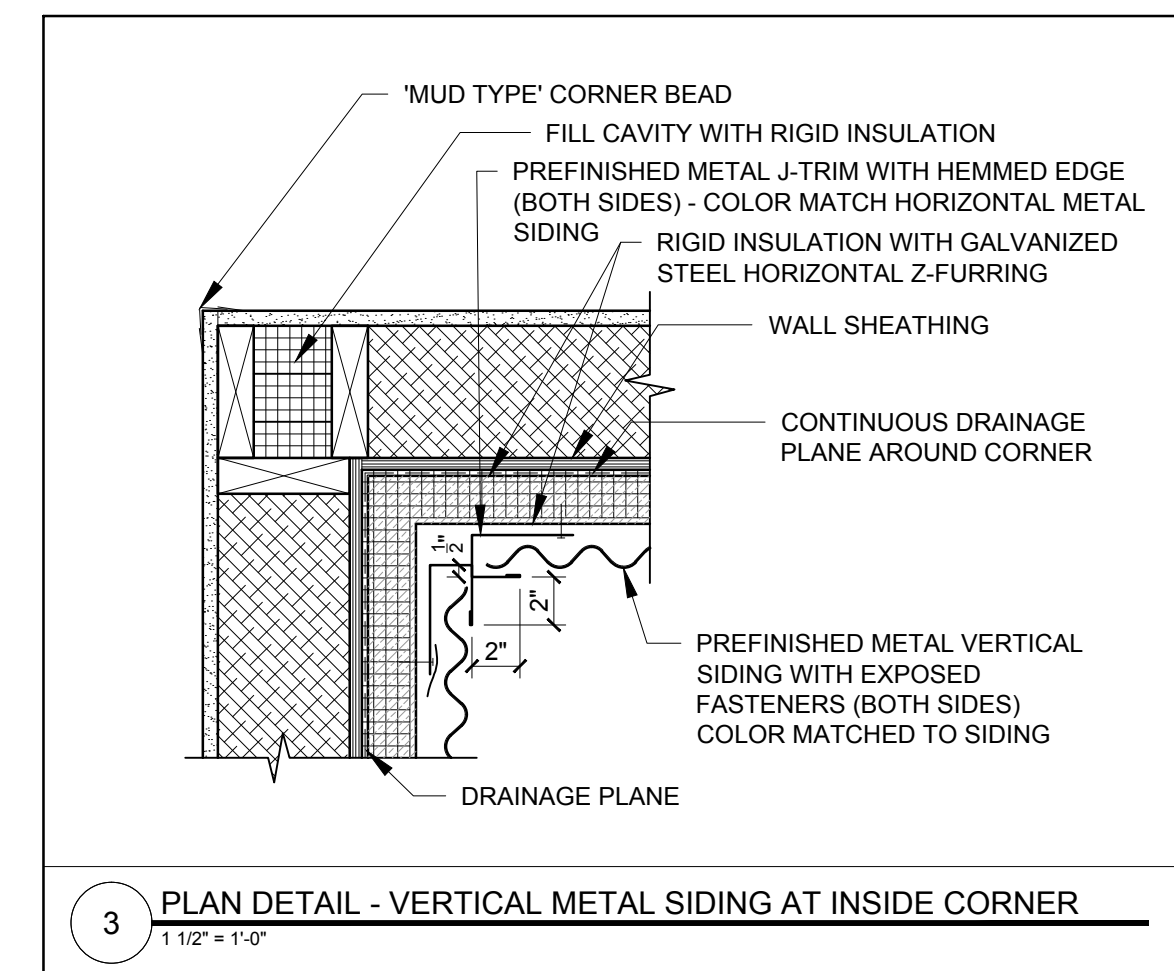
10 PLAN DTL - HORIZ. MTL AND VERT. MTL SIDE AT OUTSIDE CORNER
1 1/2" = 1'-0"



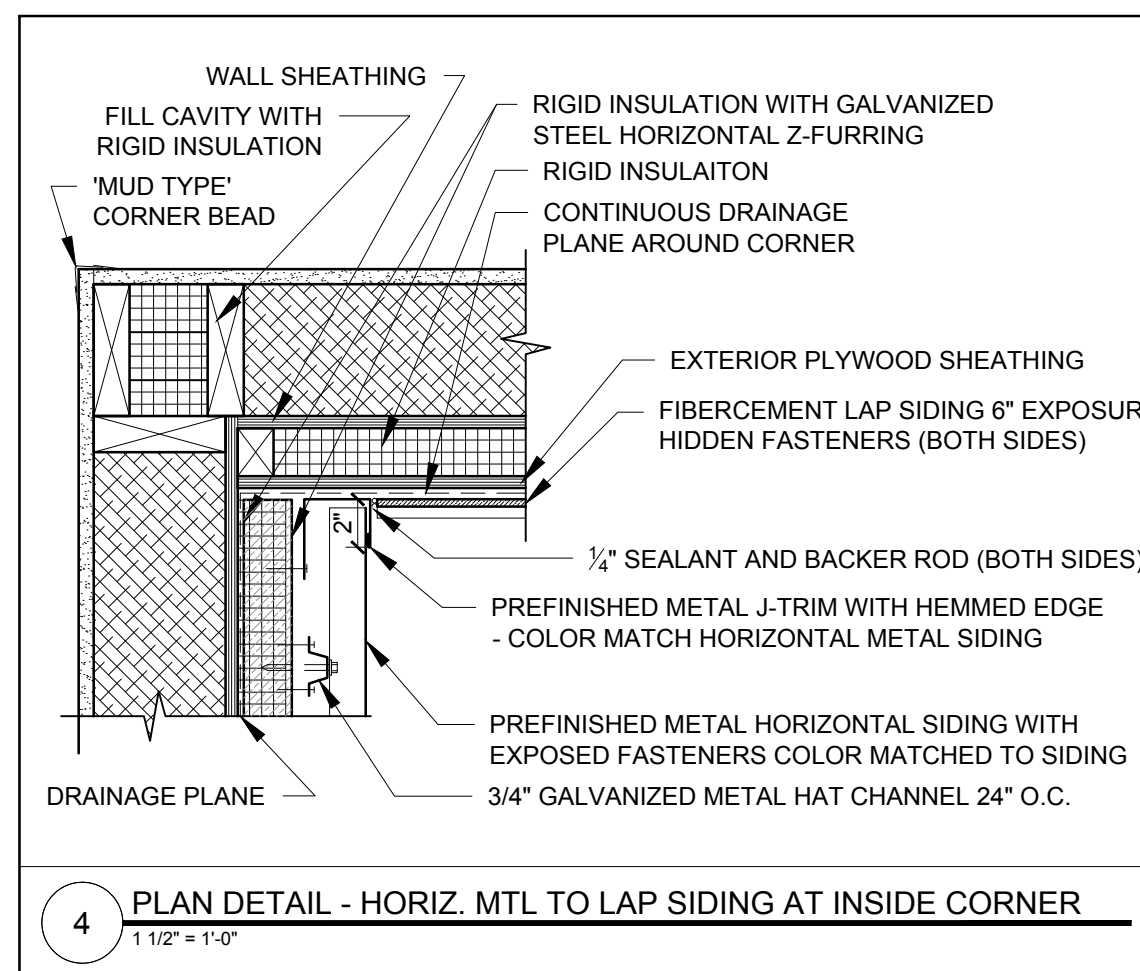
1 PLAN DETAIL - FIBERCEMENT LAP SIDING AT INSIDE CORNER
1 1/2" = 1'-0"



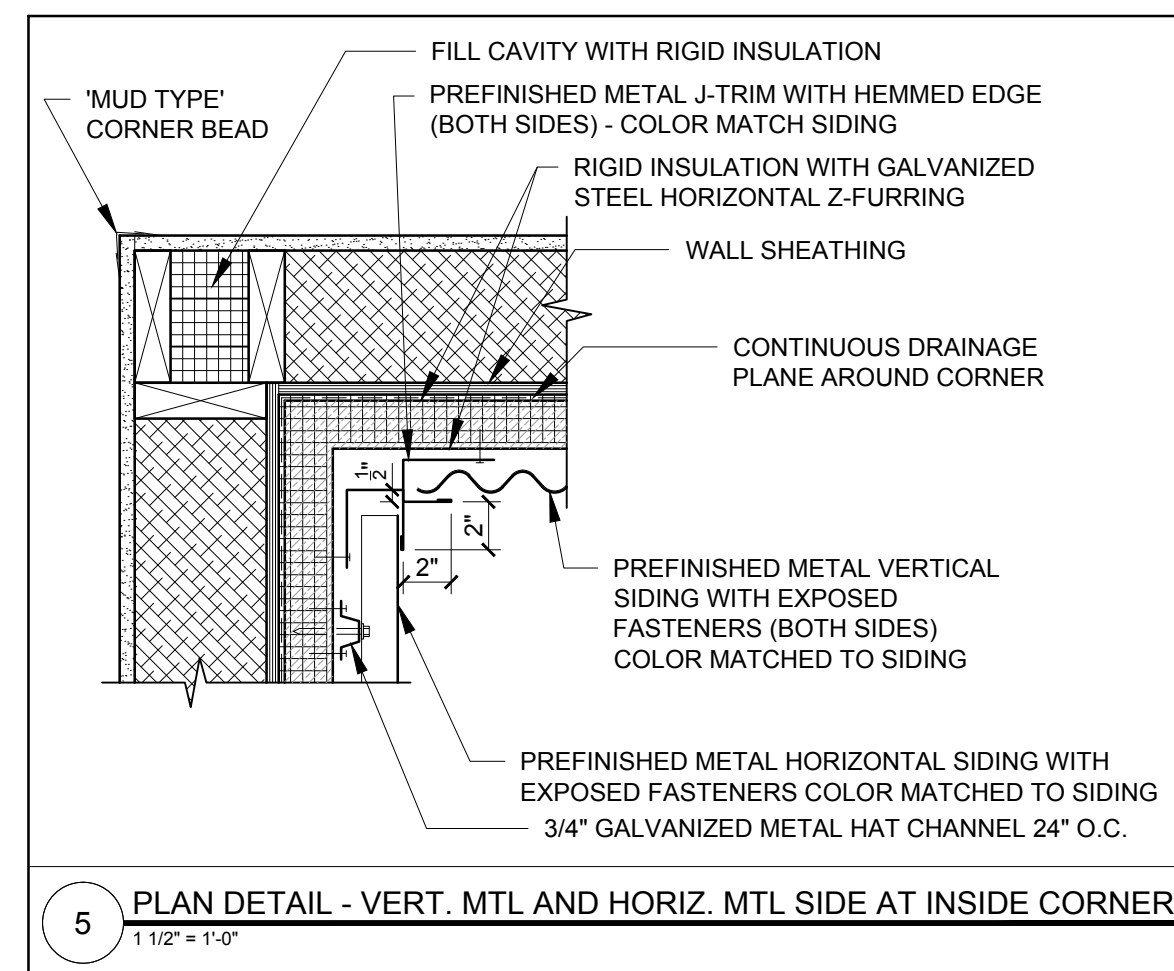
2 PLAN DETAIL - HORIZONTAL METAL SIDING AT INSIDE CORNER
1 1/2" = 1'-0"



3 PLAN DETAIL - VERTICAL METAL SIDING AT INSIDE CORNER
1 1/2" = 1'-0"



4 PLAN DETAIL - HORIZ. MTL TO LAP SIDING AT INSIDE CORNER
1 1/2" = 1'-0"



5 PLAN DETAIL - VERT. MTL AND HORIZ. MTL SIDE AT INSIDE CORNER
1 1/2" = 1'-0"