

© 2015 RYAN SENATORE ARCHITECTURE

APARTMENTS
89 ANDERSON STREET
PORTLAND, MAINE



RYAN SENATORE
ARCHITECTURE
565 CONGRESS STREET
PORTLAND, MAINE 04101
207-650-6414
senatorearchitecture.com

CONSULTANTS:
STRUCTURAL:
Structural Integrity
77 Oak Street
Portland, ME 04101
207-774-4614

REVISIONS:

DATE: JULY 3, 2015

PROJECT No. 1415

DRAWN BY: RRT / RJS

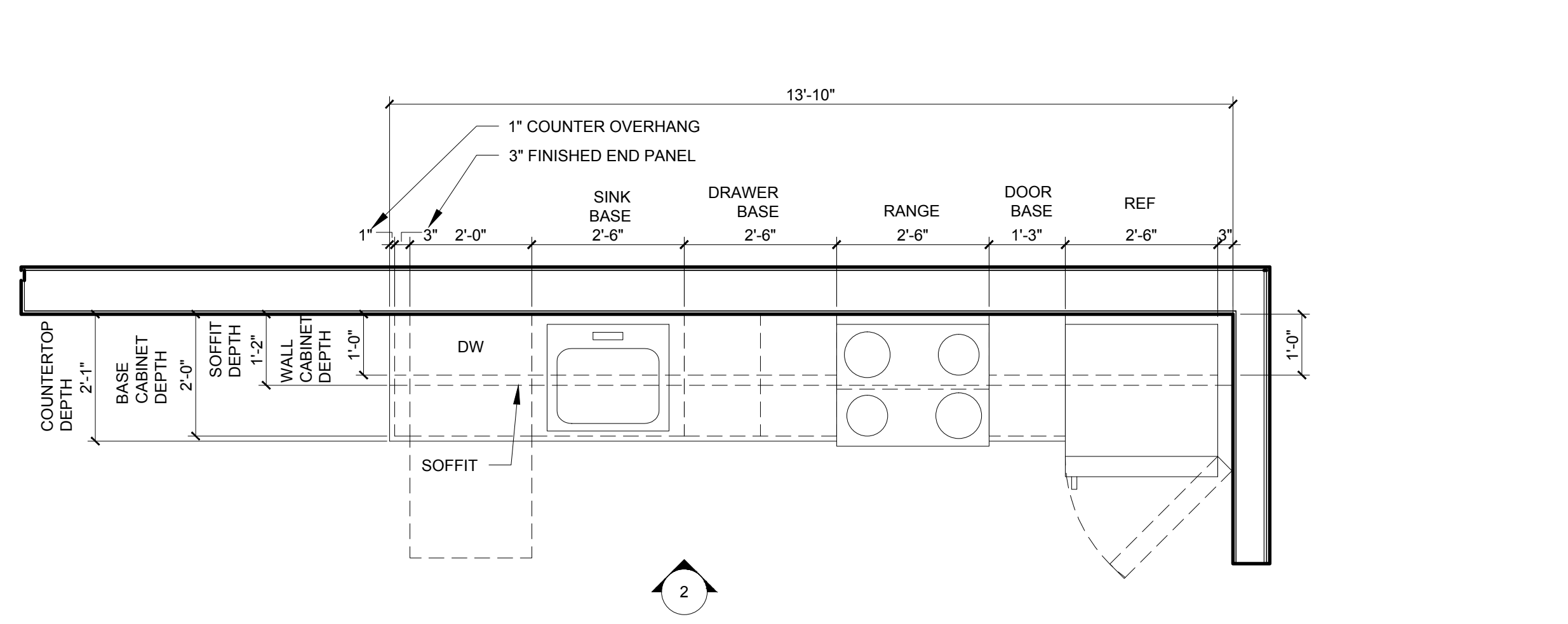
CHECKED BY: RJS

SCALE: AS NOTED

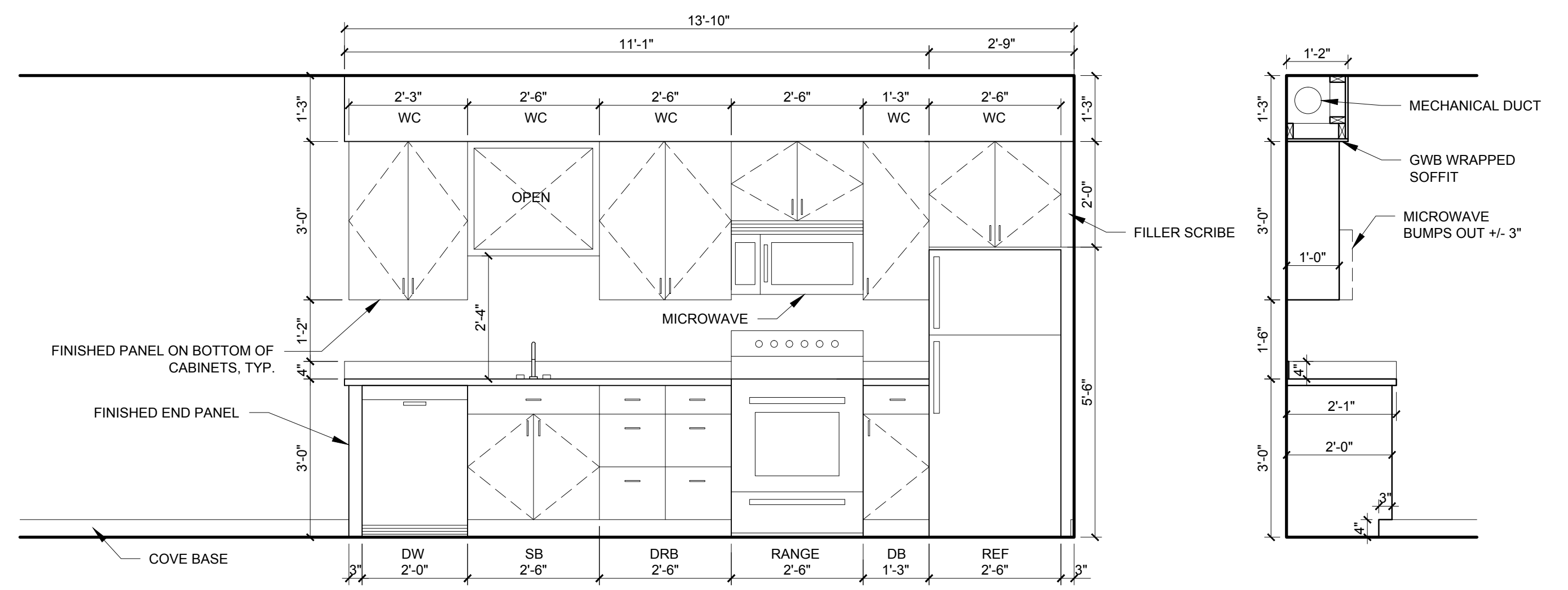
SHEET TITLE:

TYPICAL
KITCHEN TYPES

A5-24

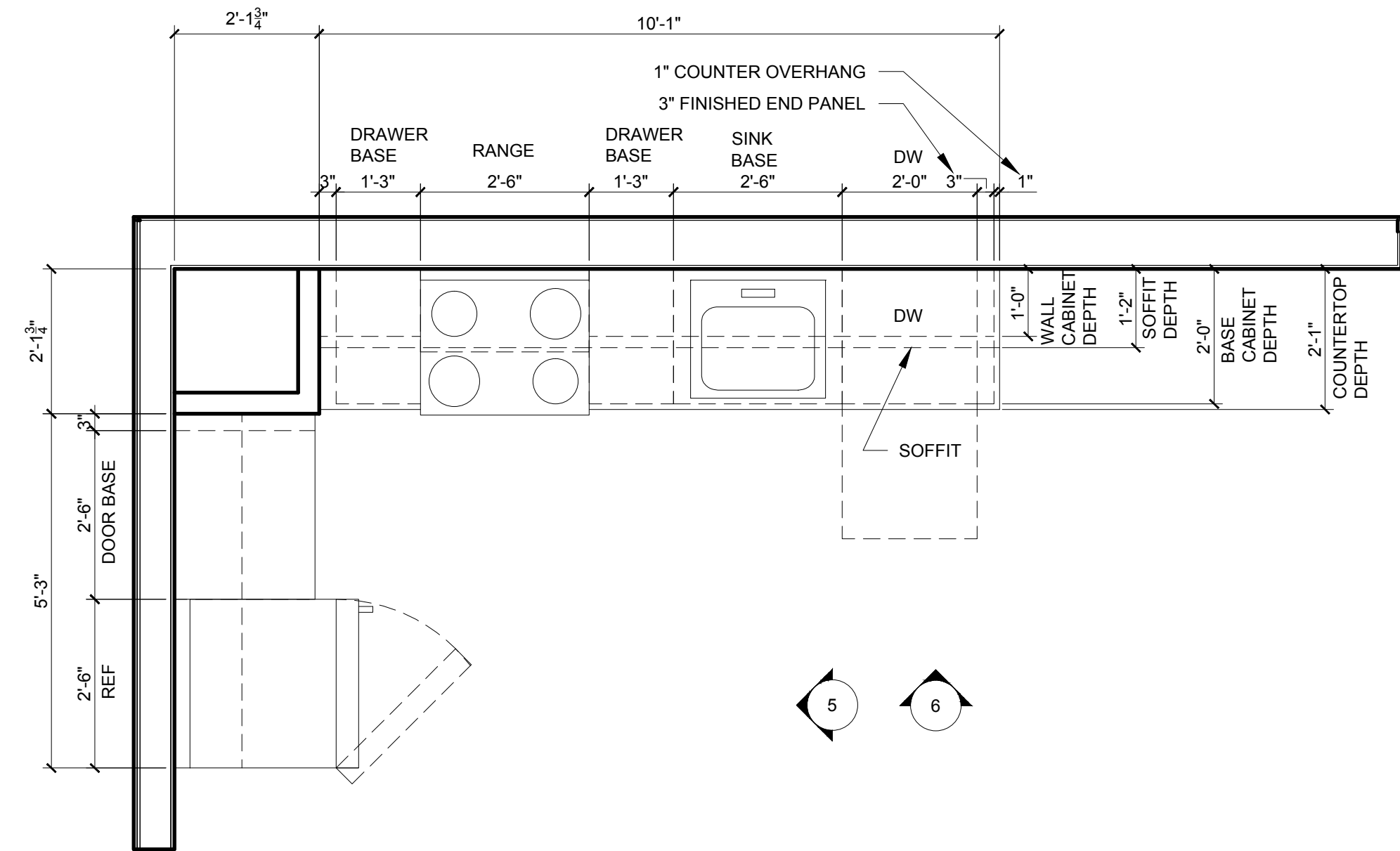


1 KITCHEN TYPE 1 - PLAN
1/2" = 1'-0"

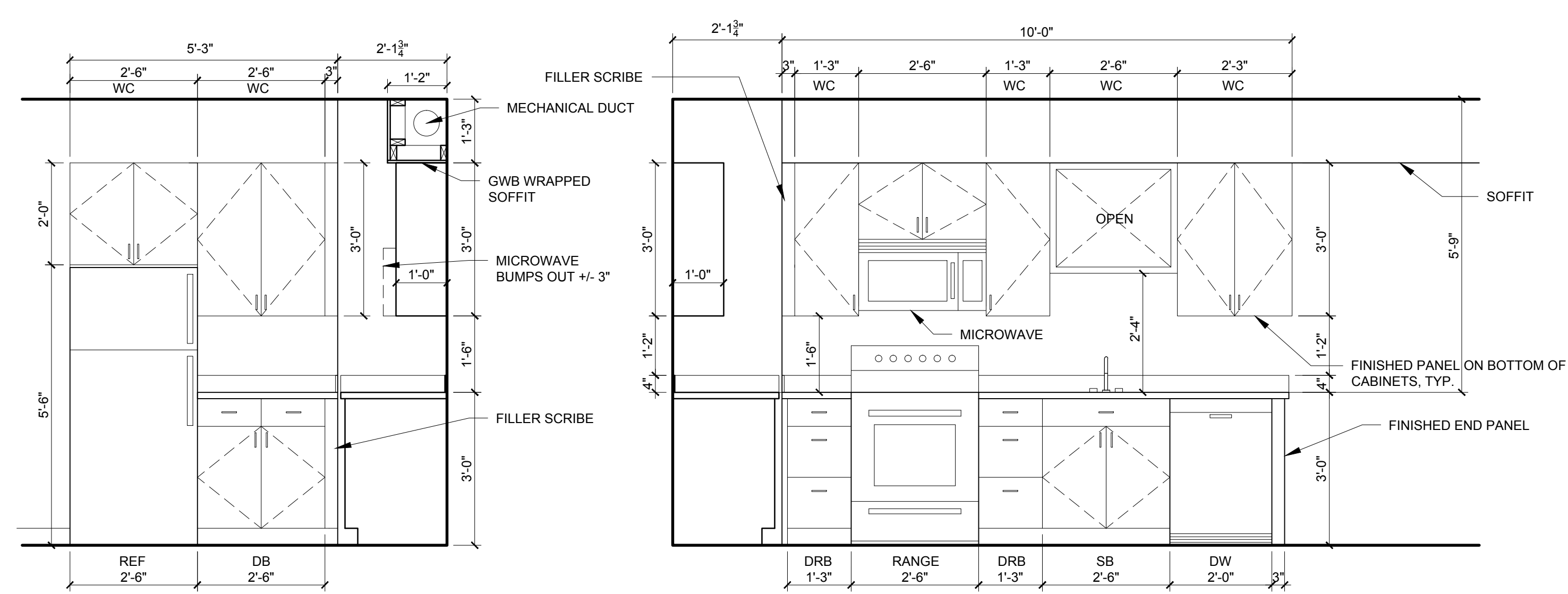


2 KITCHEN TYPE 1 - ELEVATION
1/2" = 1'-0"

3 KITCHEN TYPE 1 - SECTION
1/2" = 1'-0"

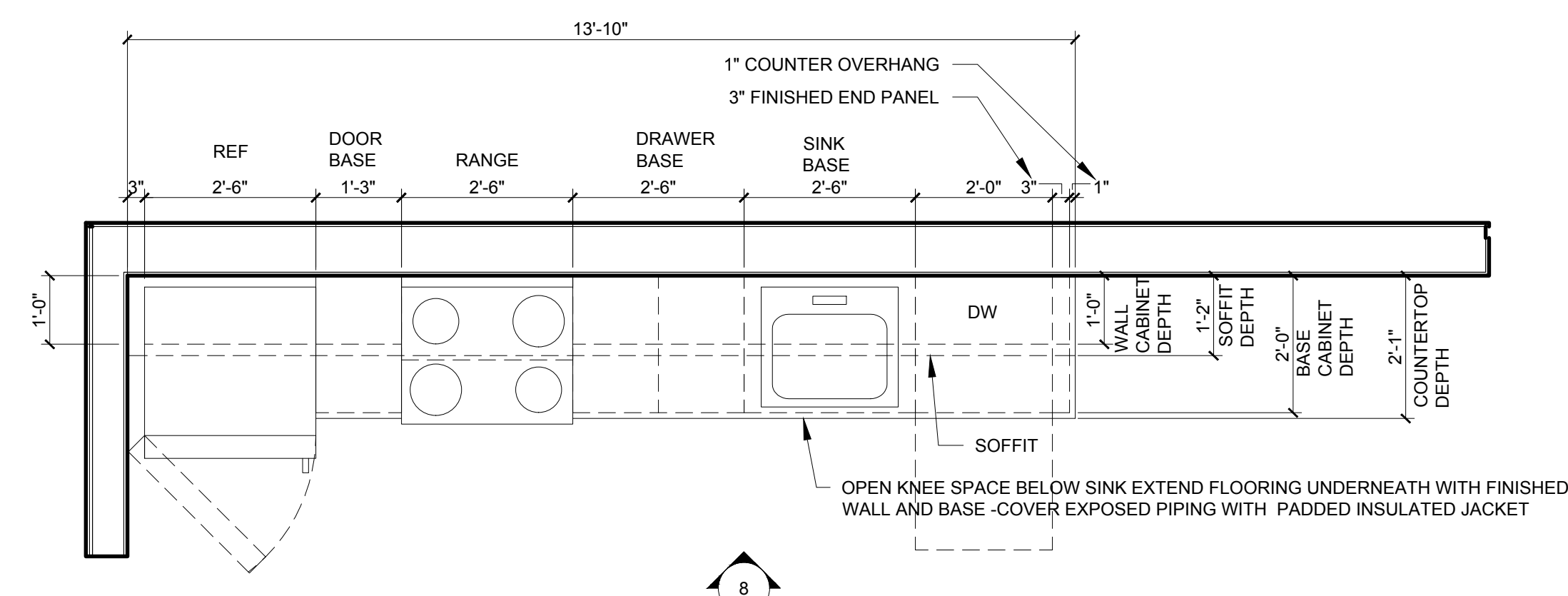


4 KITCHEN TYPE 2 - PLAN
1/2" = 1'-0"

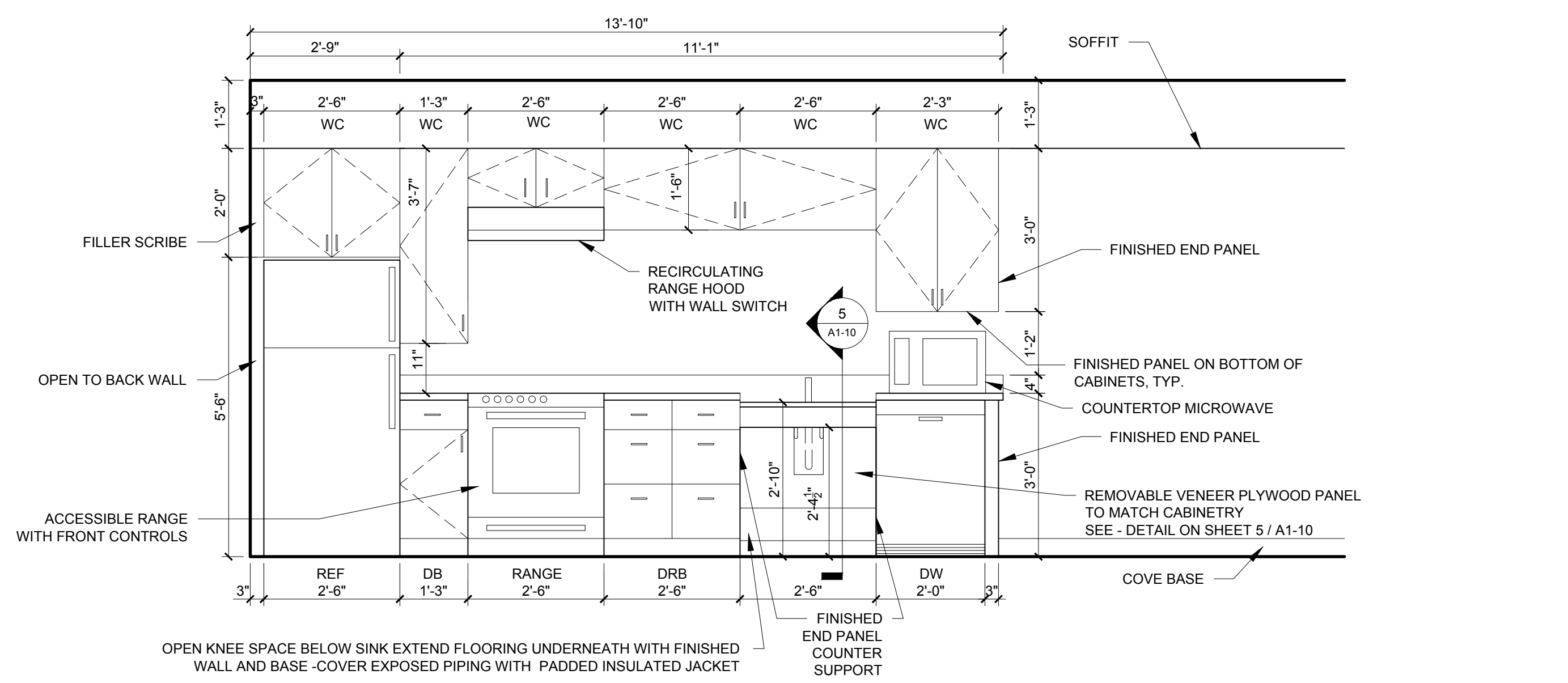


5 KITCHEN TYPE 2 - ELEVATION
1/2" = 1'-0"

6 KITCHEN TYPE 2 - ELEVATION
1/2" = 1'-0"



7 KITCHEN TYPE 3 (ADA) - PLAN
1/2" = 1'-0"



8 KITCHEN TYPE 3 (ADA) - ELEVATION
1/2" = 1'-0"