

© 2015 RYAN SENATORE ARCHITECTURE

APARTMENTS
89 ANDERSON STREET
PORTLAND, MAINE



RYAN SENATORE ARCHITECTURE
565 CONGRESS STREET
SUITE 304
PORTLAND, MAINE 04101
207-650-6414
senatorearchitecture.com

CONSULTANTS:
STRUCTURAL:
Structural Integrity
77 Oak Street
Portland, ME 04101
207-774-4614

REVISIONS:

DATE: JULY 3, 2015

PROJECT No. 1415

DRAWN BY: RRT / RJS

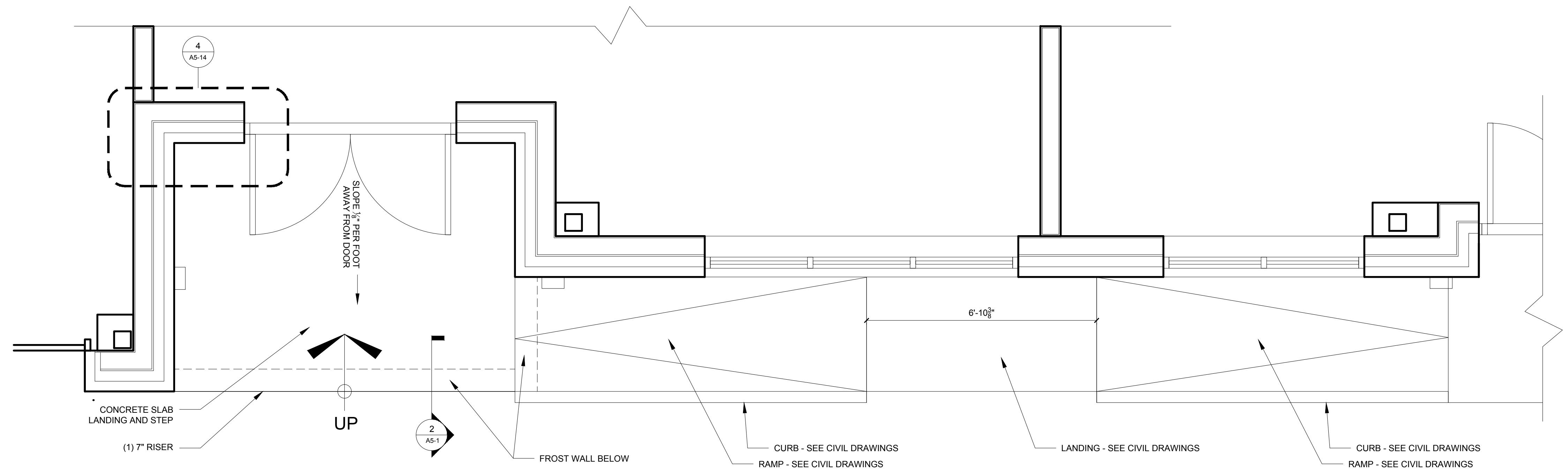
CHECKED BY: RJS

SCALE: AS NOTED

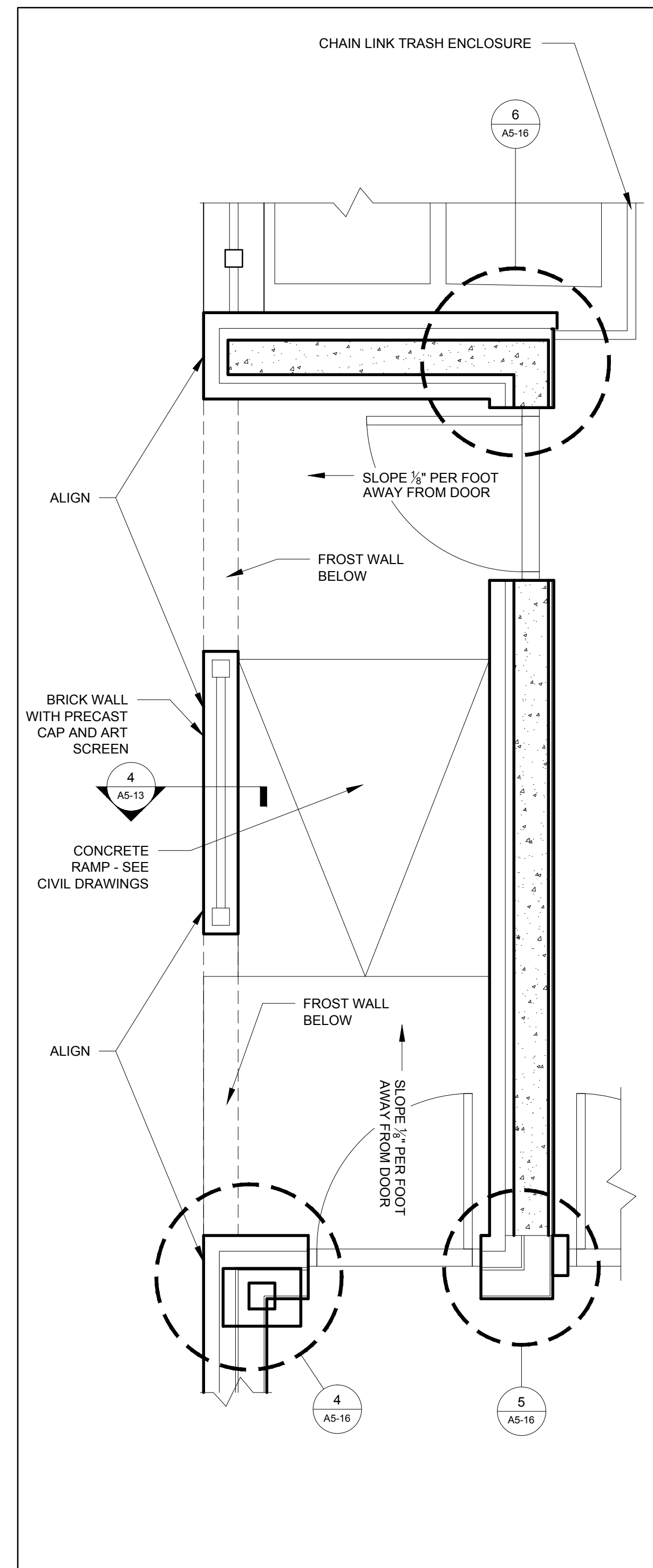
SHEET TITLE:

DETAILS

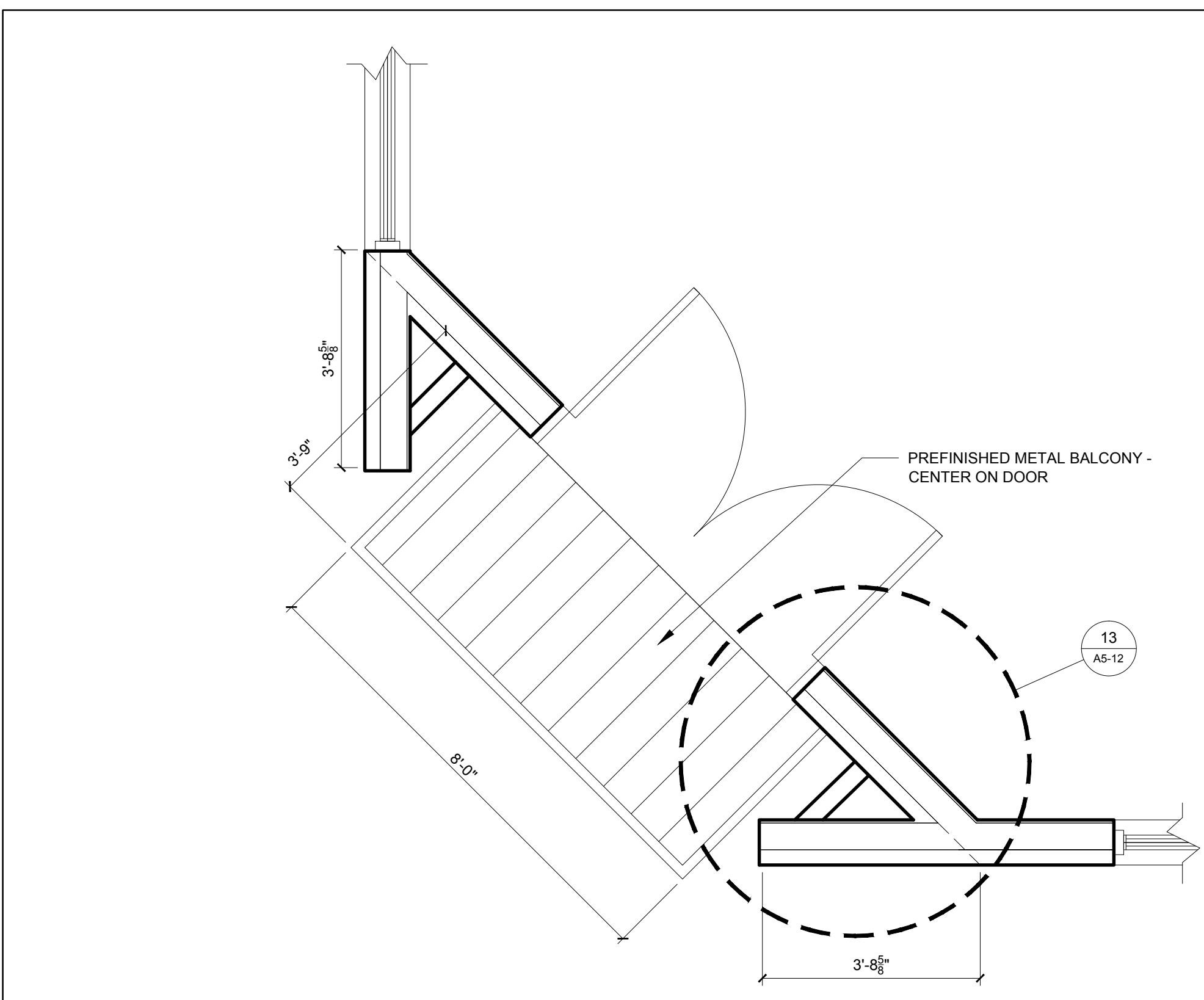
A5-18



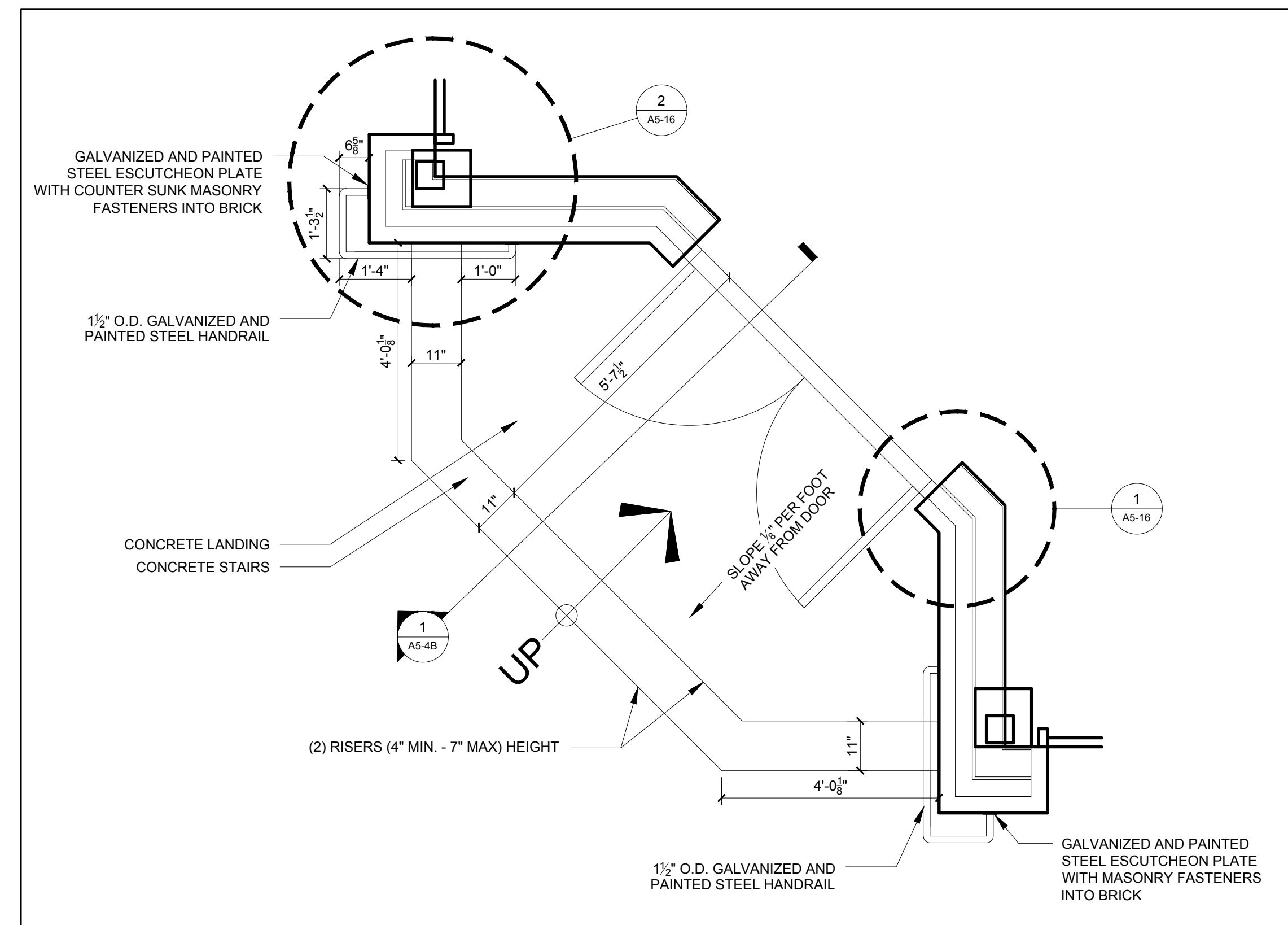
2 PLAN DETAIL AT LOBBY ENTRY FRONT ACCESS RAMP
1/2" = 1'-0"



4 PLAN DETAIL OF SIDE ACCESS RAMP
1/2" = 1'-0"



3 PLAN DETAIL OF BALCONY DOOR INTO CORNER APARTEMENT
1/2" = 1'-0"



1 PLAN DETAIL OF ENTRY DOOR INTO COMMERCIAL SPACE #1
1/2" = 1'-0"