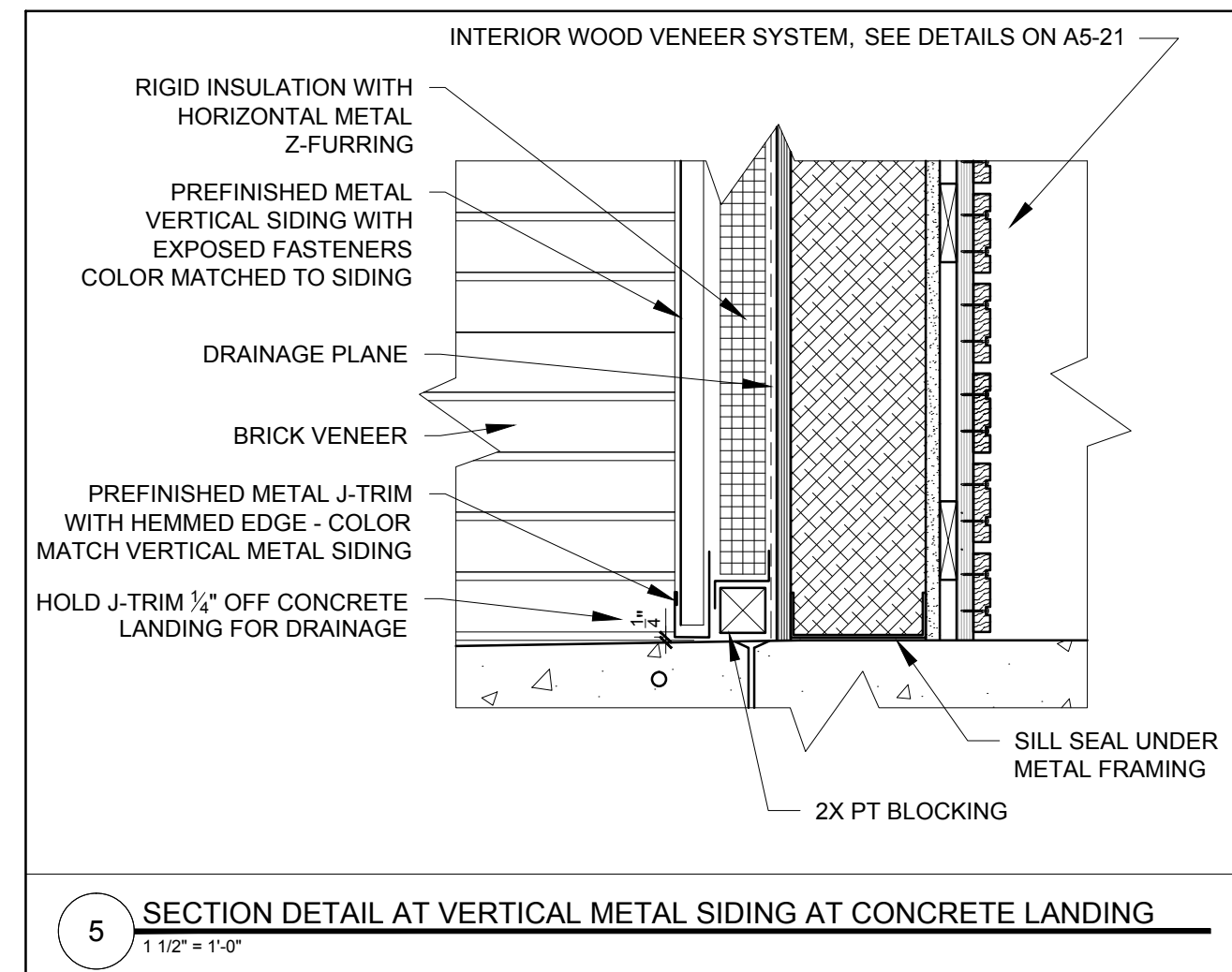
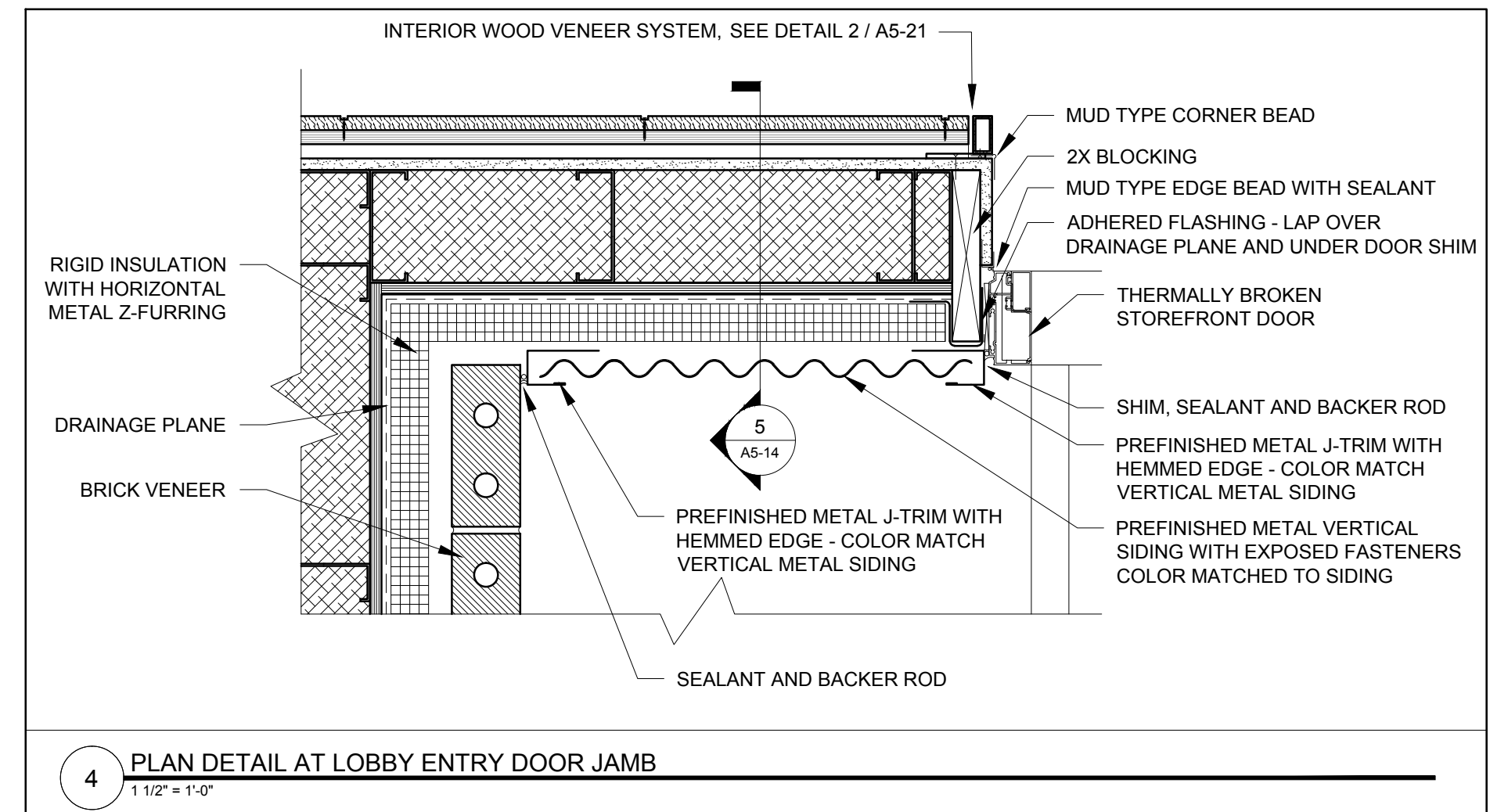


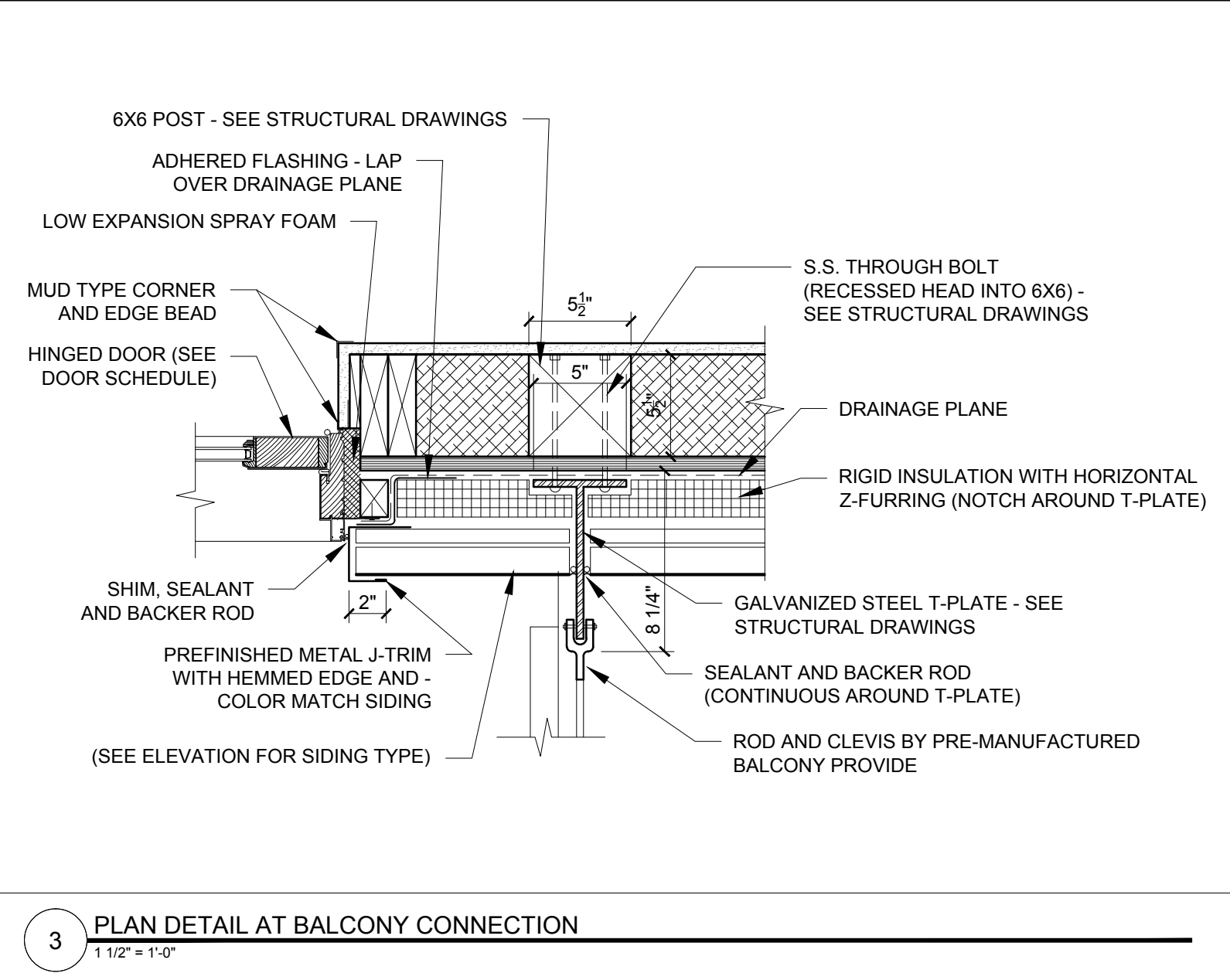
7 SECTION DETAIL AT TOP RAIL CONNECTION  
1 1/2" = 1'-0"



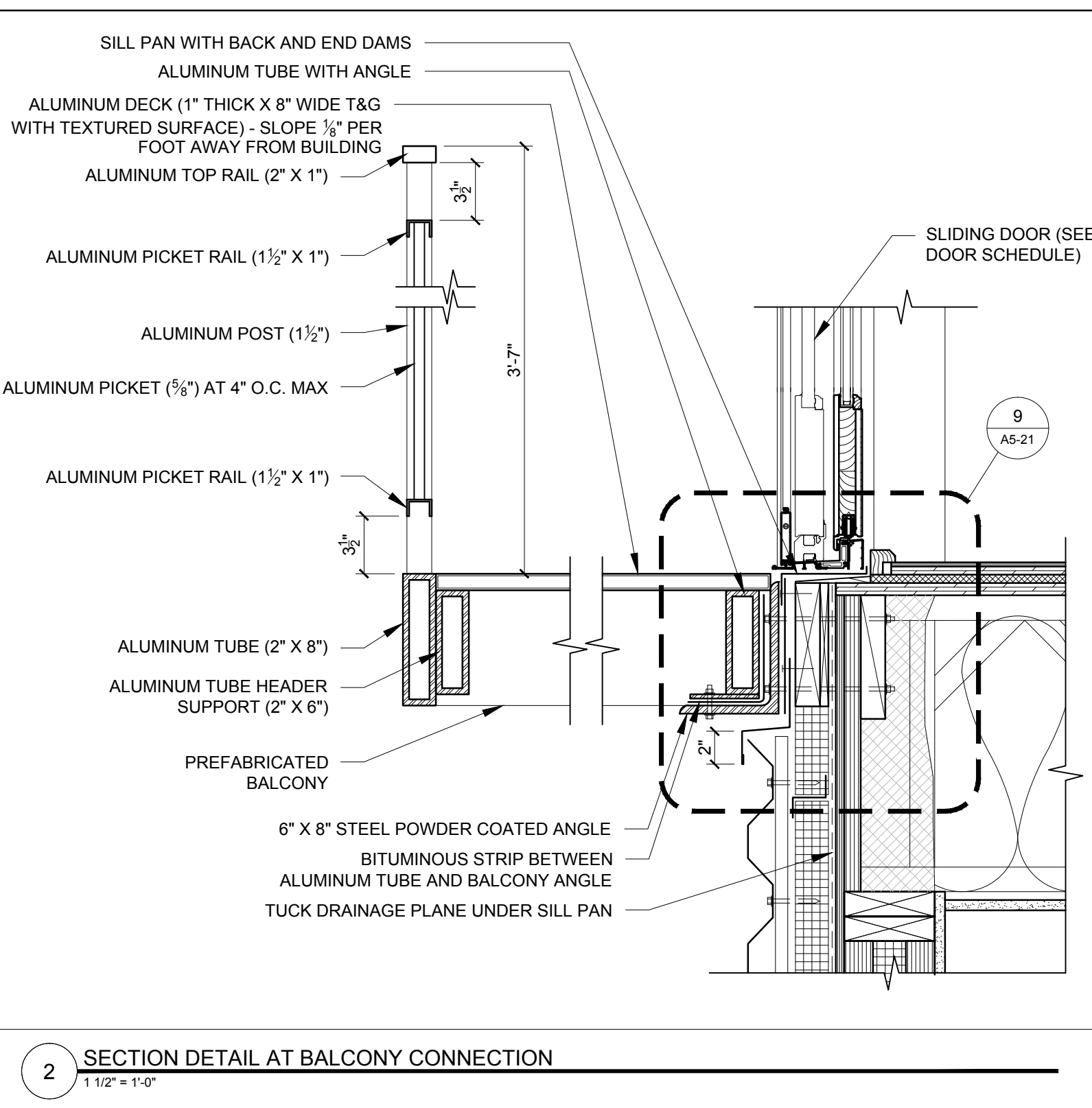
5 SECTION DETAIL AT VERTICAL METAL SIDING AT CONCRETE LANDING  
1 1/2" = 1'-0"



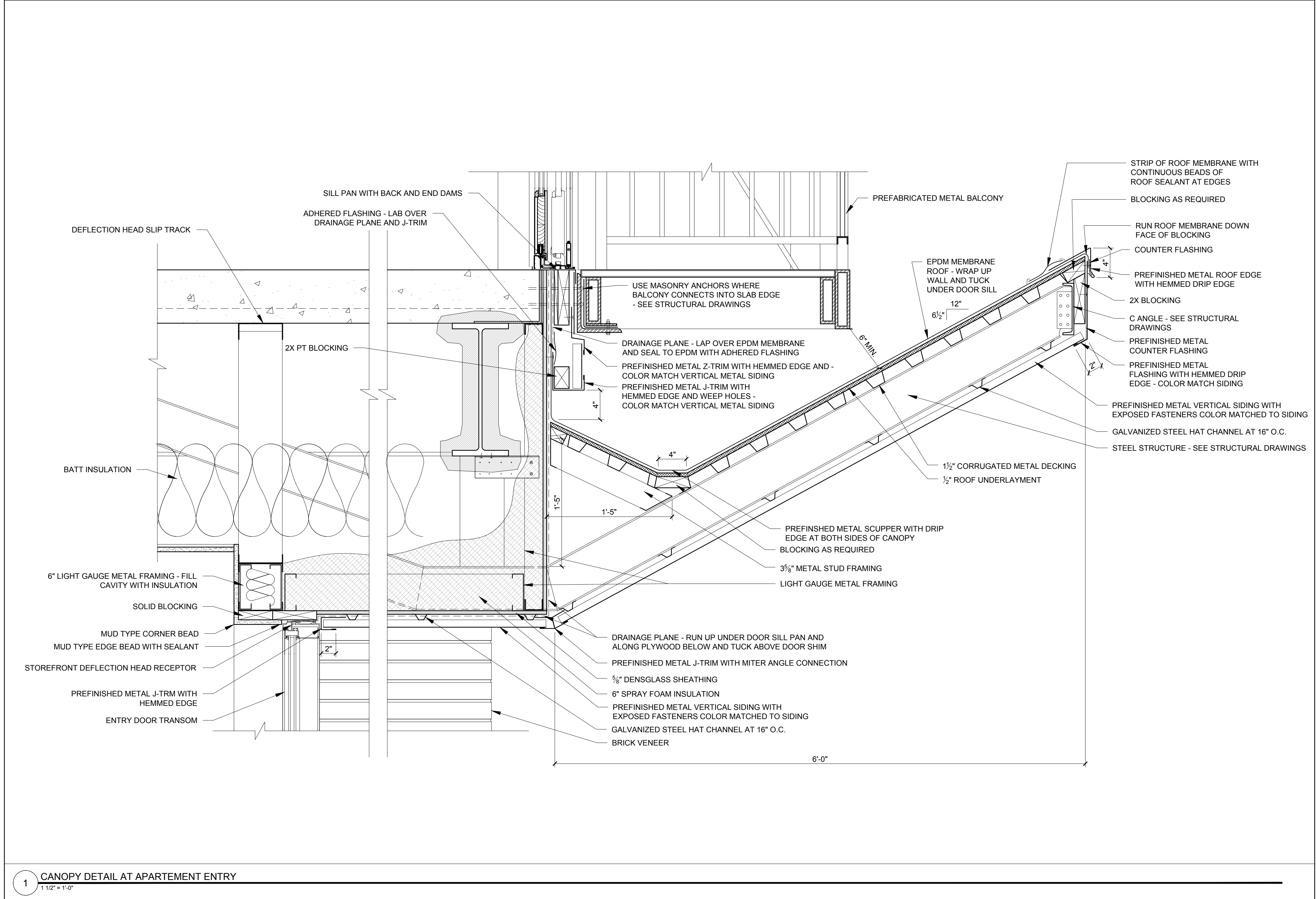
4 PLAN DETAIL AT LOBBY ENTRY DOOR JAMB  
1 1/2" = 1'-0"



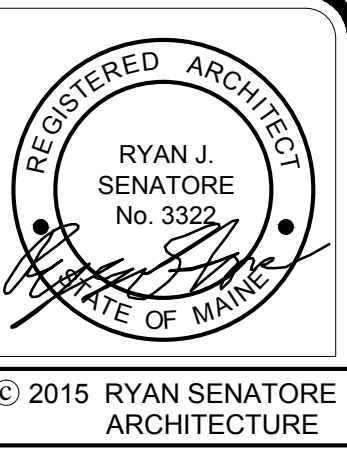
3 PLAN DETAIL AT BALCONY CONNECTION  
1 1/2" = 1'-0"



2 SECTION DETAIL AT BALCONY CONNECTION  
1 1/2" = 1'-0"



1 CANOPY DETAIL AT APARTEMENT ENTRY  
1 1/2" = 1'-0"



© 2015 RYAN SENATORE ARCHITECTURE

APARTMENTS  
89 ANDERSON STREET  
PORTLAND, MAINE



RYAN SENATORE ARCHITECTURE  
565 CONGRESS STREET  
PORTLAND, MAINE 04101  
207-650-6414  
senatorearchitecture.com

CONSULTANTS:  
STRUCTURAL:  
Structural Integrity  
77 Oak Street  
Portland, ME 04101  
207-774-4614

REVISIONS:

DATE: JULY 3, 2015

PROJECT No. 1415

DRAWN BY: RRT / RJS

CHECKED BY: RJS

SCALE: AS NOTED

SHEET TITLE:  
DETAILS

A5-14