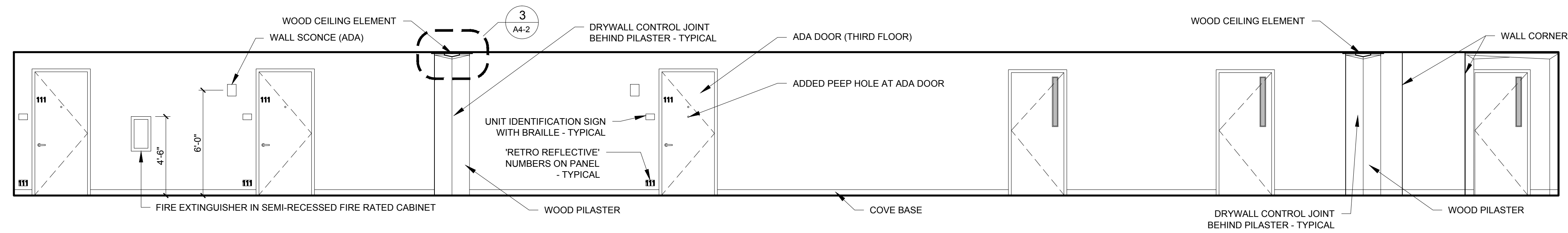
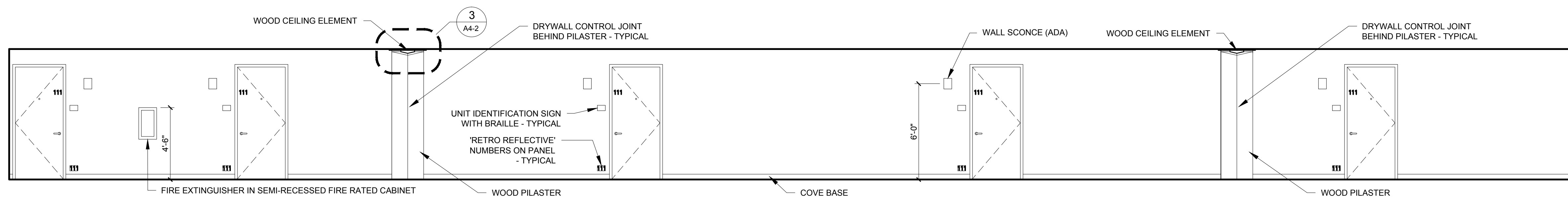


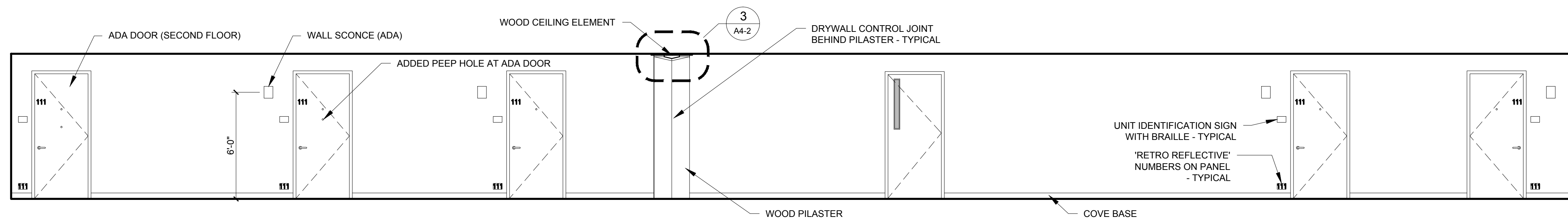
SIMILAR FOR FOURTH FLOOR



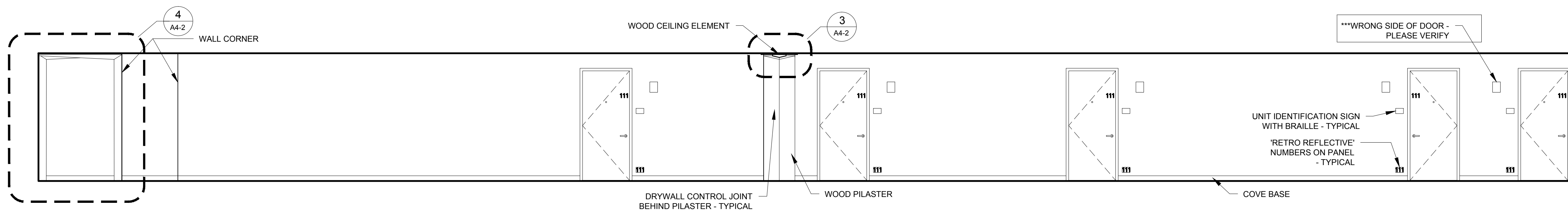
1 CORRIDOR - INTERIOR ELEVATIONS
1/4" = 1'-0"



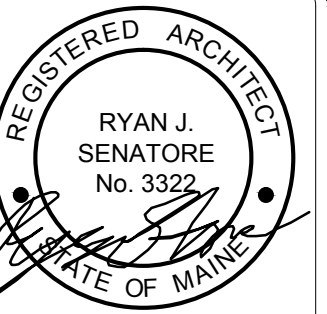
2 CORRIDOR - INTERIOR ELEVATIONS
1/4" = 1'-0"



3 CORRIDOR - INTERIOR ELEVATIONS
1/4" = 1'-0"



4 CORRIDOR - INTERIOR ELEVATIONS
1/4" = 1'-0"



© 2015 RYAN SENATORE ARCHITECTURE

APARTMENTS
89 ANDERSON STREET
PORTLAND, MAINE



RYAN SENATORE
ARCHITECTURE
565 CONGRESS STREET
SUITE 304
PORTLAND, MAINE 04101
207-650-6414
senatorearchitecture.com

CONSULTANTS:
STRUCTURAL:
Structural Integrity
77 Oak Street
Portland, ME 04101
207-774-4614

REVISIONS:

DATE: JULY 3, 2015

PROJECT No. 1415

DRAWN BY: RRT / RJS

CHECKED BY: RJS

SCALE: AS NOTED

SHEET TITLE:
TYPICAL
CORRIDOR
ELEVATIONS

A4-1