

© 2015 RYAN SENATORE ARCHITECTURE

APARTMENTS
89 ANDERSON STREET
PORTLAND, MAINE



RYAN SENATORE
ARCHITECTURE
565 CONGRESS STREET
SUITE 204
PORTLAND, MAINE 04101
207-650-6414
senatorearchitecture.com

CONSULTANTS:
STRUCTURAL:
Structural Integrity
77 Oak Street
Portland, ME 04101
207-774-4614

REVISIONS:

DATE: JULY 3, 2015

PROJECT No. 1415

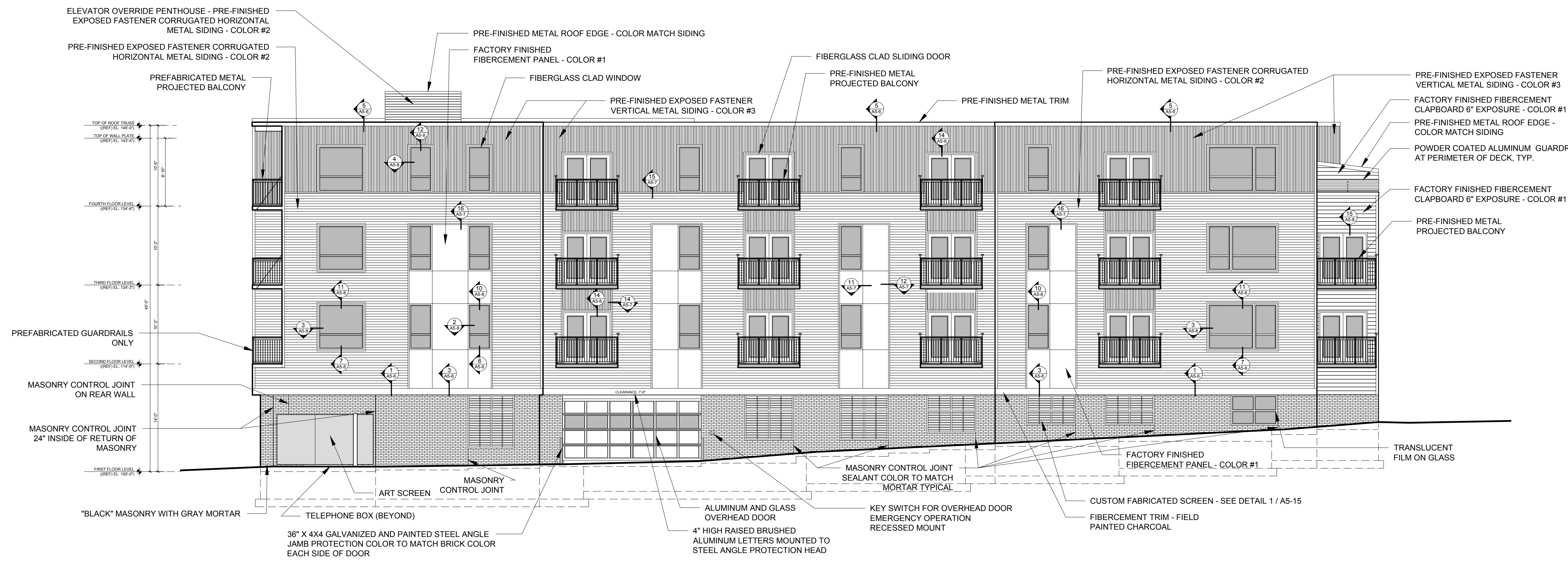
DRAWN BY: RRT / RJS

CHECKED BY: RJS

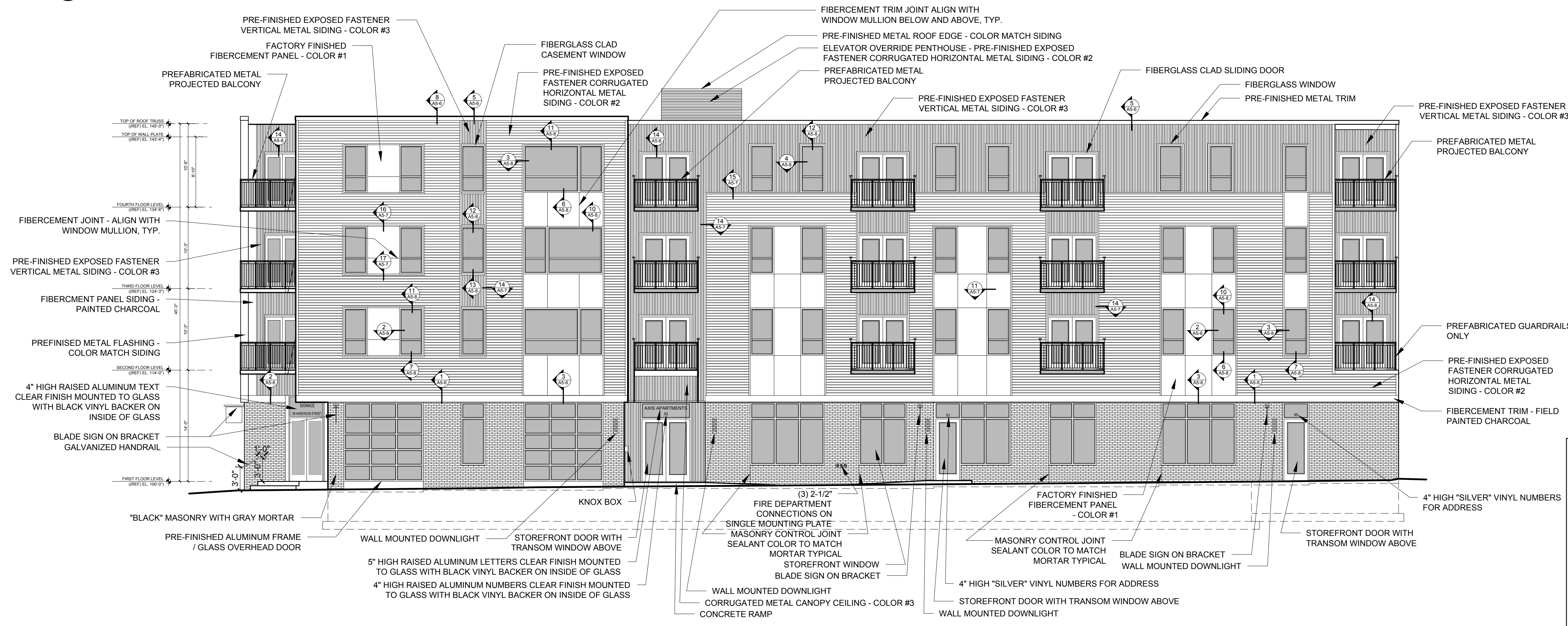
SCALE: AS NOTED

SHEET TITLE:
EXTERIOR
ELEVATIONS

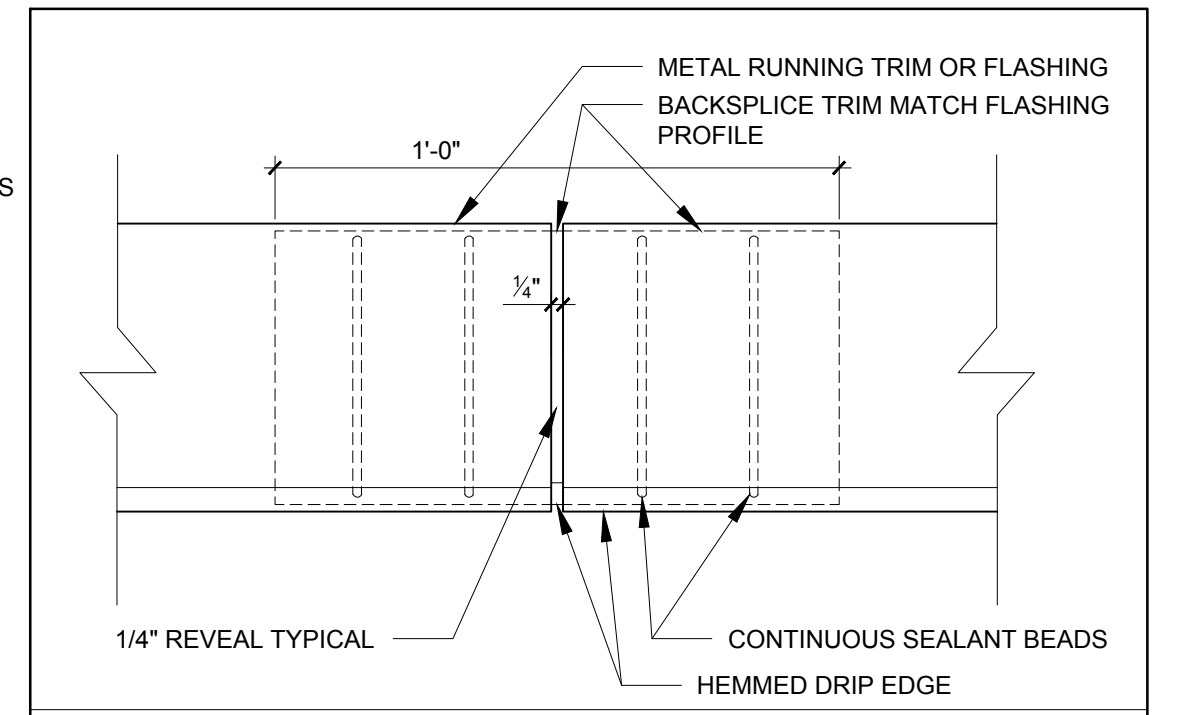
A2-1



2 EAST ELEVATION
1/8" = 1'-0"



1 SOUTH ELEVATION
1/8" = 1'-0"



3 BACK SPICE DETAIL
NOT TO SCALE
TYPICAL ALL HORIZONTAL METAL RUNNING TRIM AND FLASHING