

© 2015 RYAN SENATORE ARCHITECTURE

APARTMENTS
89 ANDERSON STREET
PORTLAND, MAINE



RYAN SENATORE ARCHITECTURE
565 CONGRESS STREET
PORTLAND, MAINE 04101
207-650-6414
senatorearchitecture.com

CONSULTANTS:
STRUCTURAL:
Structural Integrity
77 Oak Street
Portland, ME 04101
207-774-4614

REVISIONS:

DATE: JULY 3, 2015

PROJECT No. 1415

DRAWN BY: RRT / RJS

CHECKED BY: RJS

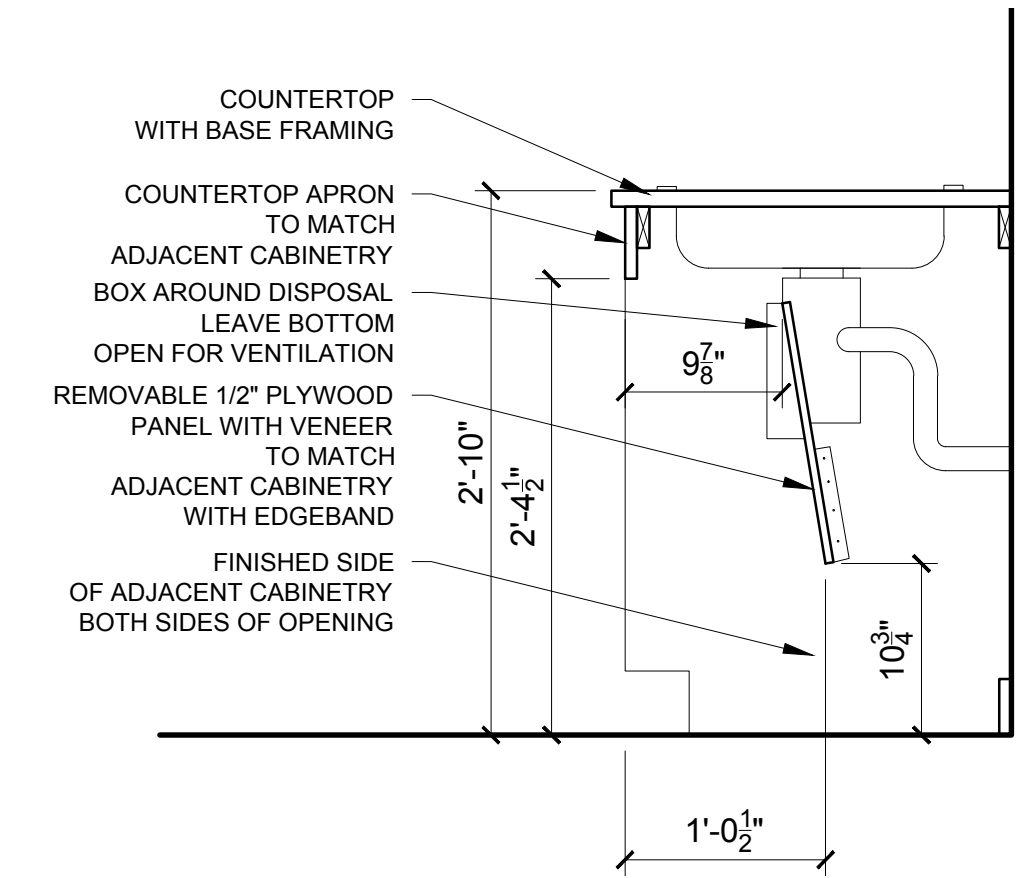
SCALE: AS NOTED

SHEET TITLE:
UNIT 305 PLANS
AND INTERIOR
ELEVATIONS

A1-10

REFLECTED CEILING PLAN NOTES

- 1.) G.C. TO COORDINATE LOCATIONS OF PLUMBING CLEAN OUTS WITH ACCESS PANELS AS SHOWN ON REFLECTED CEILING PLANS
- 2.) G.C. TO PROVIDE ACCESS PANELS AS REQUIRED FOR ALL ELEMENTS (SPRINKLER, VALVES, ETC) NOT SHOWN ON THIS REFLECTED CEILING PLAN
- 3.) G.C. TO PROVIDE METAL FRAMING AND BLOCKING REQUIRED FOR ALL ACCESS PANELS AND CONTROL JOINTS



5 ADA SINK DETAIL
3/8" = 1'-0"

UNIT NOTES

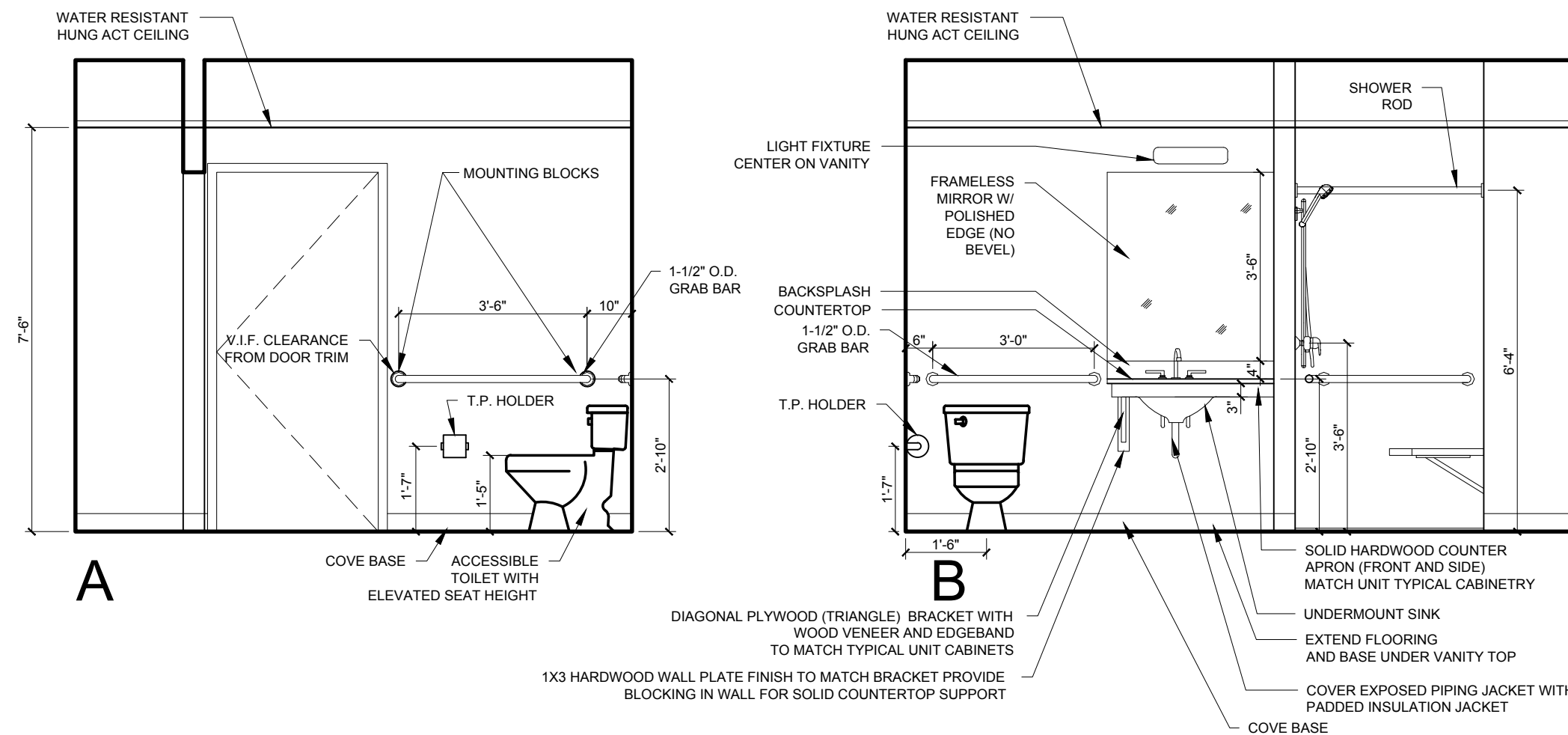
- 1.) CEILING HEIGHTS, WINDOW HEAD AND SILL HEIGHTS VARY FROM FLOOR TO FLOOR. INTERIOR ELEVATIONS GRAPHICALLY DEPICT ONE FLOOR ONLY. FOR HEIGHT INFORMATION REFER TO BUILDING SECTIONS AND WALL SECTIONS
- 2.) G.C. TO CONFIRM AND COORDINATE ALL ROUGH FRAMING DIMENSIONS FOR TUBS, SHOWERS, BUILT-IN FIXTURES ETC. G.C. TO CONFIRM AND COORDINATE ALL CABINETRY AND APPLIANCE DIMENSIONS
- 3.) PROVIDE APPROPRIATE BLOCKING IN WALLS BEHIND ALL FIXTURES, PARTITIONS AND ACCESSORIES. BLOCKING FOR GRAB BARS TO BE PROVIDED IN WALLS OF BATHROOMS IN ALL UNITS
- 4.) PROVIDE MOISTURE RESISTANT GWB AT ALL WALLS AND CEILINGS IN BATHROOMS TYPICAL
- 5.) SET ALL CLOTHES WASHERS IN PANS WITH WATER SENSOR
- 6.) REFER TO ELECTRICAL AND MECHANICAL DRAWINGS FOR ADDITIONAL INFORMATION REGARDING LIGHTING, DIFFUSERS, ETC.
- 7.) PROVIDE FIRE EXTINGUISHER ON BRACKET IN BASE CABINET BELOW KITCHEN SINK - TYPICAL
- 8.) HANG HOT WATER HEARER FROM CEILING ABOVE CLOTHES ROD IN CLOSET. PROVIDE UNISTRUT SUPPORTS ON TOP OF BOTTOM CHORDS OF TRUSSES PRIOR TO CEILING INSTALLATION
- 9.) WHERE DROPPED SOFFITS AND CEILINGS ARE SHOWN, THESE ARE IN ADDITION TO THE FIRE RATED GWB CEILING ABOVE WHICH IS PART OF THE RATED ASSEMBLY
- 10.) WHERE PLUMBING VALVES (TUB, SHOWER, ETC) ARE LOCATED IN FIRE RATED WALLS, PROVIDE FIRE RATED BOX IN WALL FOR VALVE TO BE INSTALLED WITHIN

CABINETRY AND APPLIANCE ABBREVIATIONS

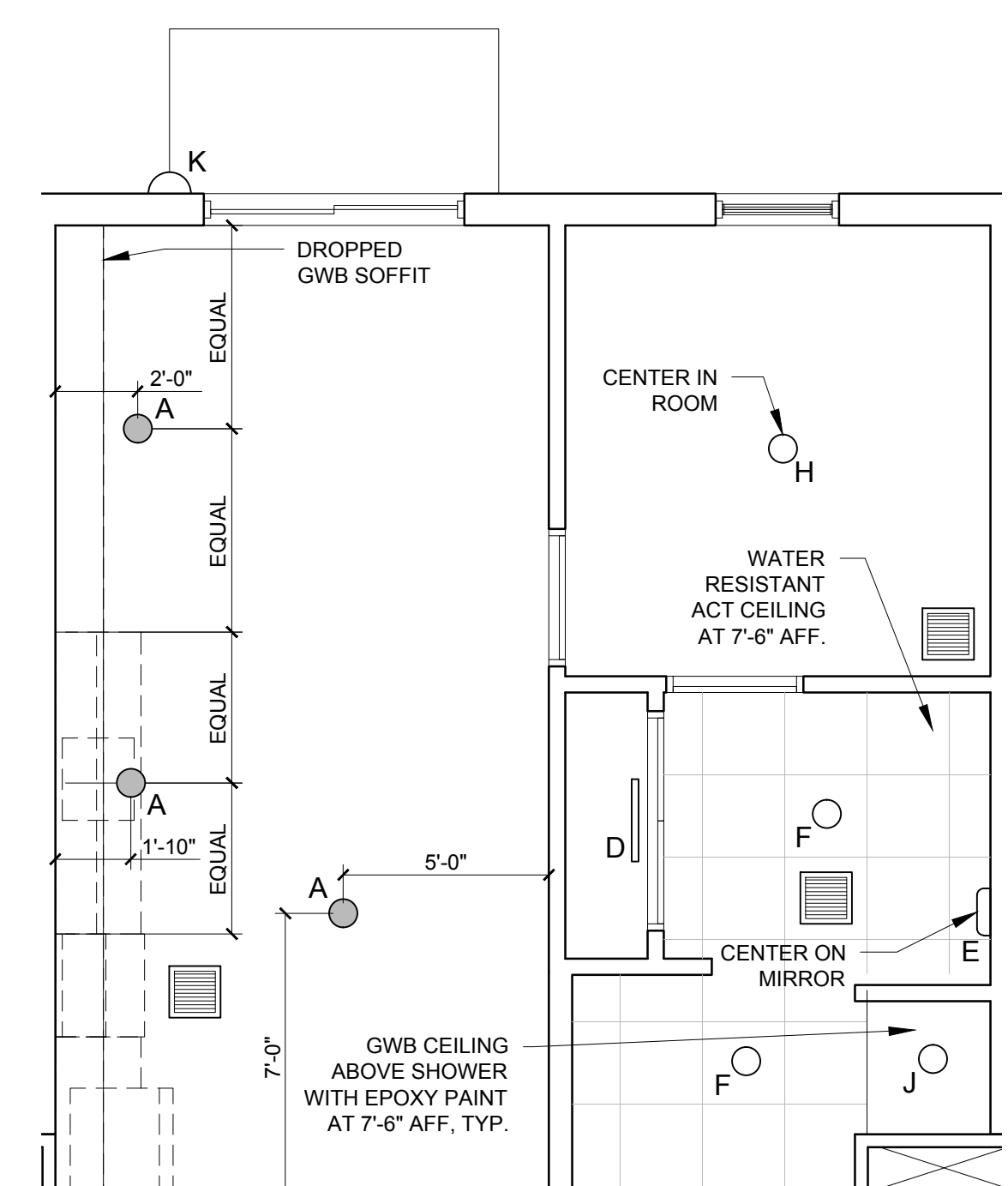
- DB = DRAWER BASE
- DRB = DOOR BASE
- SB = SINK BASE
- WC = WALL CABINET
- WC(24) = WALL CABINET 24" DEEP
- PU = PANTRY UNIT 24" DEEP
- OS = OPEN SHELVES
- RA = RANGE
- DW = DISHWASHER
- REF = REFRIGERATOR

REFLECTED CEILING PLAN AND LIGHTING LEGEND

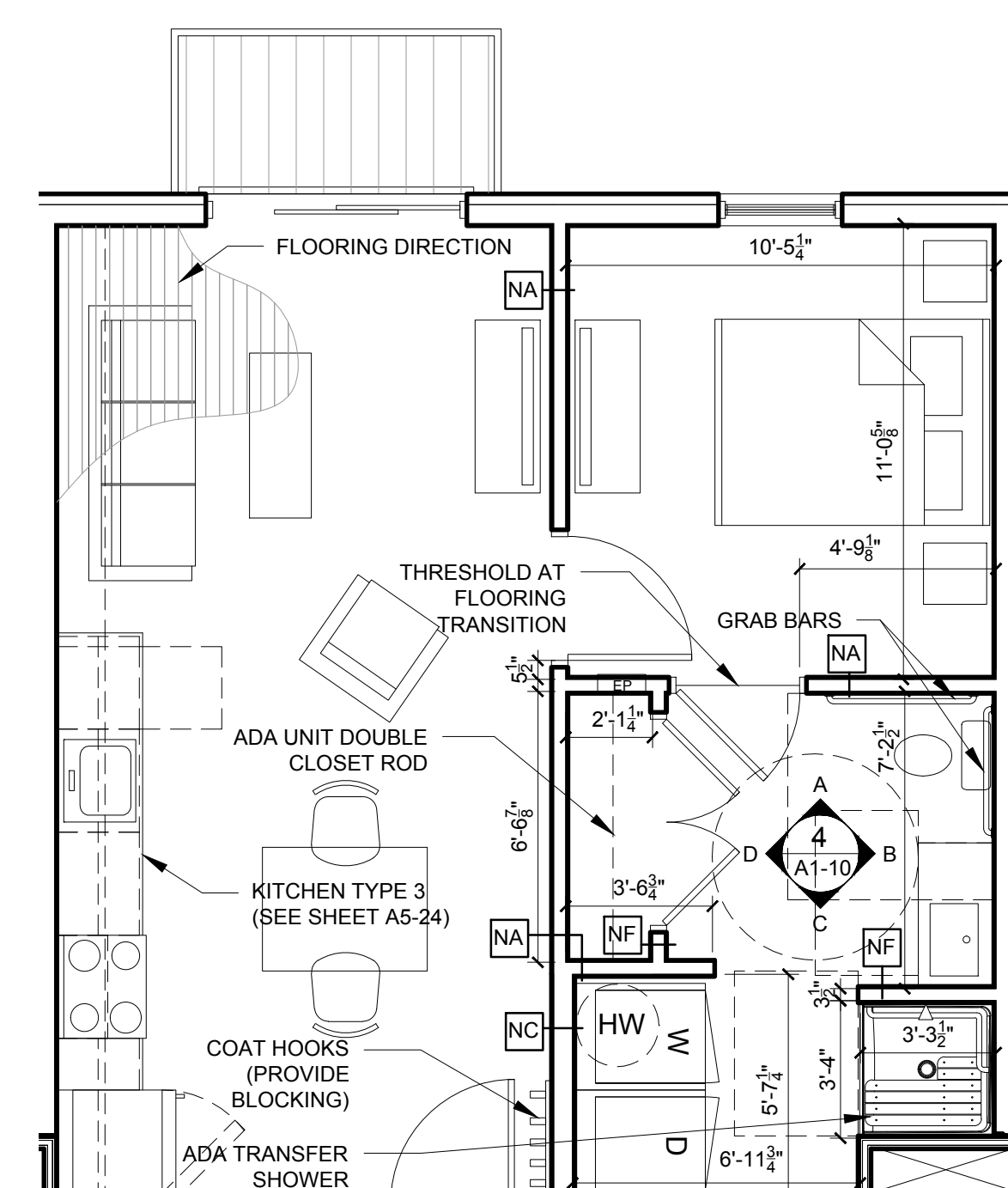
SYMBOL	TAG	DESCRIPTION
●	A	TROSS IKEA SURFACE MOUNT
○	B	SURFACE MOUNTED - TBD
○	C	SURFACE MOUNT - IN CLOSETS
○	D	SURFACE MOUNTED ON WALL ABOVE DOOR
○	E	WALL SCONCE IN BATHROOM OVER VANITY
○	F	SURFACE MOUNT - WET LOCATION
○	H	SURFACE MOUNT CENTER IN BEDROOMS
○	J	RECESSED DOWN LIGHT - WET LOCATION
○	K	EXTERIOR CUT OFF DOWN LIGHT
○	L	RECESSED CAN LIGHT FIXTURE
■		CEILING GRILLE



4 BATHROOM ELEVATIONS
3/8" = 1'-0"



2 UNITS 305 (ADA) REFLECTED CEILING PLAN
1/4" = 1'-0"



1 UNIT 305 (ADA) FLOOR PLAN
1/4" = 1'-0"